

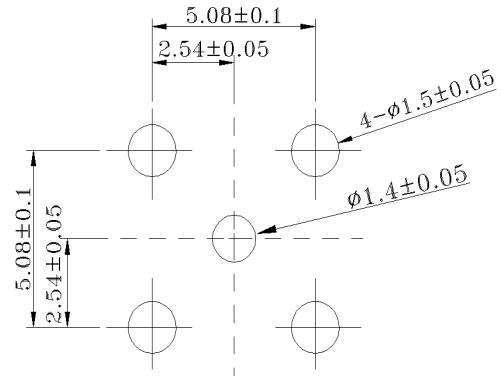
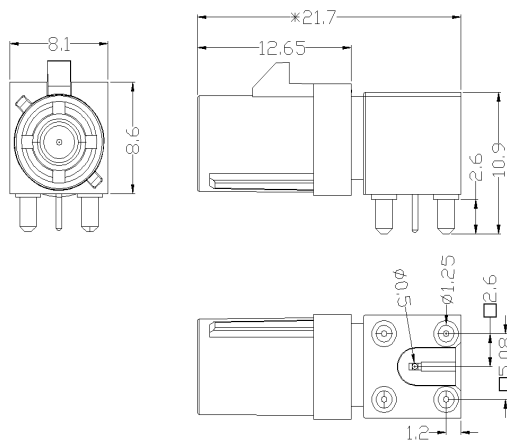
深圳市金航标电子有限公司

Product specification

Drawing No. : KH-2FK1-D-RM-101

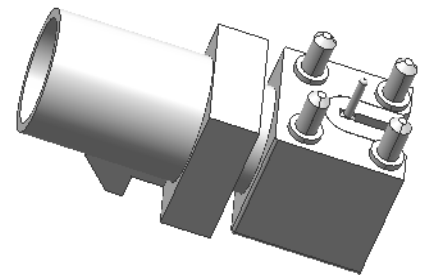
Series description

FAKRA connectors are designed to perform up to 6 GHz and meet the particular mechanical and environmental requirements of the automobile industry. This connector is designed to meet or exceed the requirement of specification for automotive RF connector systems. Interface is designed to meet DIN 72594-1 and automotive electrical & RF connector systems meet SAE/USCAR-2 & SAE/USCAR-17 performance specification.



Electrical

- | | |
|--|---|
| 1) Impedance | 50 Ω, Nominal |
| 2) Frequency range | DC-6 GHz |
| 3) VSWR(Return loss) | DC-2 GHz ≤ 1.4 (15.56 dB) 2-3 GHz ≤ 1.5 (13.98 dB) 3-6 GHz ≤ 1.6 (12.74 dB) |
| 4) Dielectric withstanding voltage | 800 VRMS, Min. |
| 5) Insulation resistance | ≥ 100 MΩ |
| 6) Contact resistance | |
| Original state | ≤ 10 mΩ |
| After endurance or environmental tests | ≤ 40 mΩ |



Mechanical

- | | |
|----------------------------|----------------|
| 1) Outline dimensions | Per Drawing |
| 2) Durability | 25 Cycles Min. |
| 3) Temperature range | -40°C To 105°C |
| 4) Meet USCAR-2 & USCAR-17 | |

Material and finish

| Component description | Material | Finish |
|-----------------------|------------|----------------|
| 1) Housing | PBT | Per key code |
| 2) Contact | Brass | Gold plating |
| 3) Insulator | LCP | Natural |
| 4) Body | Zinc alloy | Nickel plating |

| | | | | |
|--------------|--------------------|------------------|----------|-----------|
| 深圳市金航标电子有限公司 | TITLE | | DATE | 2017-3-21 |
| | FAKRA PCB R/A PLUG | | CREATED | ERIC |
| ECO | | | CHECKED | FANCY |
| ECN | P/N | KH-2FK1-D-RM-101 | APPROVED | JASON |
| DATE | SHEET | 1 OF 2 | REV. | |

Product specification**Drawing No. : KH-2FK1-D-RM-101****Environmental**

| | | |
|--|--------------------------|------------------------------|
| 1) Temperature range | -40°C To 105°C | |
| 2) Thermal shock | USCAR-17,Paragraph 4.5.1 | -40°C To 85°C, 100 Cycles |
| 3) Vibration & Mechanical shock | USCAR-2,Paragraph 5.4.6 | Random,5-10 ms,35Gs,1/2 sine |
| 4) Temperature/Humidity cycling | USCAR-2,Paragraph 5.6.2 | 40 Cycles,8 Hours/Cycle |
| 5)Adaptability of connector to welding | reflow soldering | NO |
| | wave soldering | YES |

Other

2FK1-X-RM-101: "X" Show key code

Key code see: FK-PLUG-KCX

Key code

| KEY CODE | PART NO. | COLOR | RAL |
|---|---------------|----------------|------|
|  A | 2FK1-A-RM-101 | JET BLACK | 9005 |
|  B | 2FK1-B-RM-101 | CREAM WHITE | 9001 |
|  C | 2FK1-C-RM-101 | SIGNAL BLUE | 5005 |
|  D | 2FK1-D-RM-101 | CLARET VIOLET | 4004 |
|  E | 2FK1-E-RM-101 | LEAF GREEN | 6002 |
|  F | 2FK1-F-RM-101 | NUT BROWN | 8011 |
|  G | 2FK1-G-RM-101 | BLUE GREY | 7031 |
|  H | 2FK1-H-RM-101 | HEATHER VIOLET | 4003 |
|  I | 2FK1-I-RM-101 | BEIGE | 1001 |
|  K | 2FK1-K-RM-101 | CURRY | 1027 |
|  L | 2FK1-L-RM-101 | CARMINE RED | 3002 |
|  M | 2FK1-M-RM-101 | PASTEL ORANGE | 2003 |
|  N | 2FK1-N-RM-101 | PASTEL GREEN | 6019 |
|  Z | 2FK1-Z-RM-101 | WATER BLUE | 5021 |

| | | | | | |
|--------------|--|--------------------|------------------|----------|-----------|
| 深圳市金航标电子有限公司 | | TITLE | | DATE | 2018-3-21 |
| | | FAKRA PCB R/A PLUG | | CREATED | ERIC |
| ECO | | | | CHECKED | FANCY |
| ECN | | P/N | KH-2FK1-D-RM-101 | APPROVED | JASON |
| DATE | | SHEET | 2 OF 2 | REV. | |

X-ON Electronics

Largest Supplier of Electrical and Electronic Components

Click to view similar products for [Standard Circular Connector](#) category:

Click to view products by [Kinghelm](#) manufacturer:

Other Similar products are found below :

[600273N007](#) [6134-336-13149](#) [6134-337-11149](#) [6134-337-2390](#) [6134-341-17149](#) [67-02E12-60PX](#) [680-SMG](#) [CXS3102A181S](#)

[D38999/20FC8SA L/C](#) [75-190216-08S](#) [75-190611-03S](#) [75-474014-05S](#) [75-474618-04S](#) [75-474620-07P](#) [799539-000](#) [805-005-07NF11-19PC](#)

[805-005-07NF15-7PA](#) [FMP.2M.310.XLCT](#) [836783-1](#) [862256-1](#) [866857-1](#) [867865-1](#) [PT08P-14-19S](#) [PT08P-14-5S](#) [QCM019PC2DC012B](#)

[121583-0217](#) [121667-0020](#) [RD10A16-19-P6CS051/1](#) [RD16A14-12-S6CS051/2](#) [1301240268](#) [1301240275](#) [1301860906](#) [DCU-08BFEA-](#)

[LL7001](#) [RM15WTP-CP\(5\)\(71\)](#) [14482](#) [16283-18](#) [1877910-1](#) [206039-3](#) [206323-1](#) [207002-2](#) [207682-1](#) [CA06COME14SA7P](#) [211777-1](#) [JL04-](#)

[1012CK\(05\)-R](#) [JL04V-2A28-11PE-R](#) [JL04V-2E10SL-3PE-B-R](#) [JL04V-2E20-15PE-B-R](#) [JL04V-2E20-4PE-B-R](#) [JL04V-2E24-10PE\(G\)-B-R](#)

[JL04V-6A24-11SE-EB-R](#)