

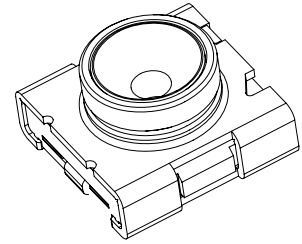
	Product Specification	DOC. No.: 651-0251-01	Rev.: D	Page: 1/5
	Part Number: KH-3030175-G1	Checker/Date Henry 06/01/18'	Inspector/Date Henry 06/01/18'	Maker/Date SAM 06/01/18'

1、Overview

This product is applied to RF circuits and provides a switch interface for circuit tests, And it's the first type of the "MINI RF CONNECTOR".

2、Technology Parameters

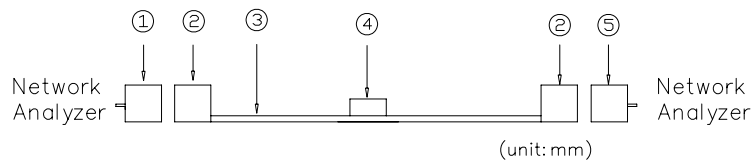
2.1 Rated Voltage	250V AC
2.2 Frequency Range	0~6GHz
2.3 Impedance	50Ω
2.4 Operating Temperature	-40°C ~ +85°C



3、Electrical Performance

3.1 Insulation Resistance	500MΩ
3.2 Dielectric Withstanding Voltage	300V AC
3.3 Contact Resistance	120 mΩ max
3.4 Voltage Standing Wave Ratio(VSWR)	1.2 max (DC~3GHz), 1.3 max (3~6GHz)

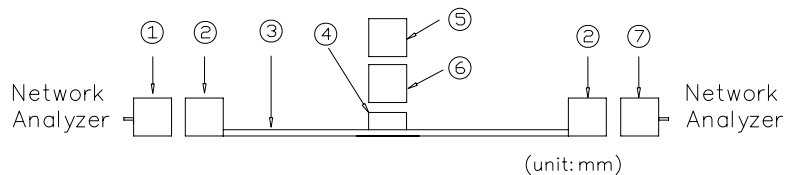
3.4.1 Test Methods:



- | | |
|-------------------|-------------|
| ① Port 1 | ④ 818000251 |
| ② SMA Jack | ⑤ Port 2 |
| ③ Microstrip line | |

3.5 Isolation 20dBmin (DC~3GHz), 15dBmin (3~6GHz)

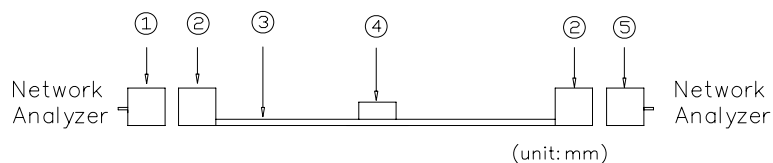
3.5.1 Test Methods:



- | | |
|-------------------|-----------------------------------|
| ① Port 1 | ④ 818000251 |
| ② SMA Jack | ⑤ Termination |
| ③ Microstrip line | ⑥ Probe for automatic measurement |
| | ⑦ Port 2 |

3.6 Insertion loss 0.10dBmax (DC~3GHz), 0.20dBmax (3~6GHz)

3.6.1 Test Methods:



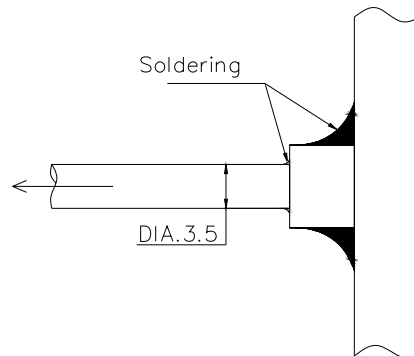
- | | |
|-------------------|-------------|
| ① Port 1 | ④ 818000251 |
| ② SMA Jack | ⑤ Port 2 |
| ③ Microstrip line | |

	Product Specification	DOC. No.: 651-0251-01		Rev.: D	Page: 2/5
	Part Number: KH-3030175-G1	Checker/Date Henry 06/01/18'	Inspector/Date Henry 06/01/18'	Maker/Date SAM 06/01/18'	

4、Mechanical Performance

- 4.1 Contact Stress 3. 4N~4. 5N
- 4.2 Mating Force 30N max
- 4.3 Unmating Force 5N~40N
- 4.4 Durability 500 cycles
- 4.5 Adhered Force of Solders 50N

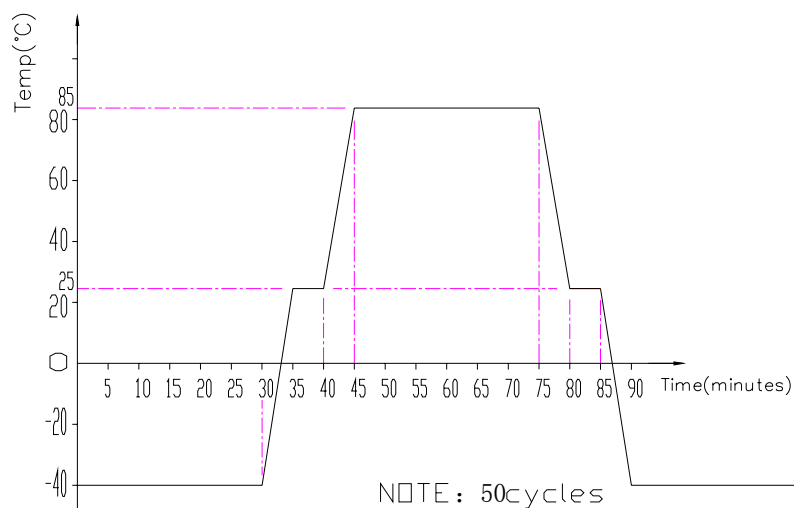
4.5.1 Test Methods:



- 4.6 Shock Acceleration: 750m/s² (Peak);
Duration of Shock: 6m sec.
Wave form: Half-sine
- 4.7 Vibration 10Hz~30Hz : 3mm

5、Environment Performance

5.1 Thermal Shock



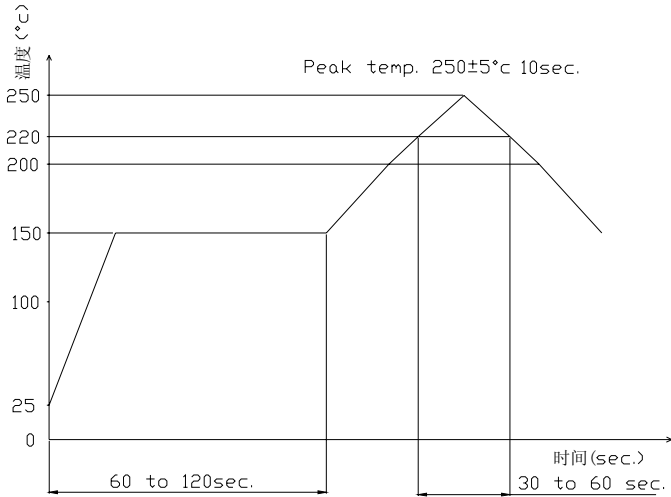
5.2 Static Humidity & Thermal Test

- Temperature: 60°C
- Humidity: 95% RH
- Time: 96 hours

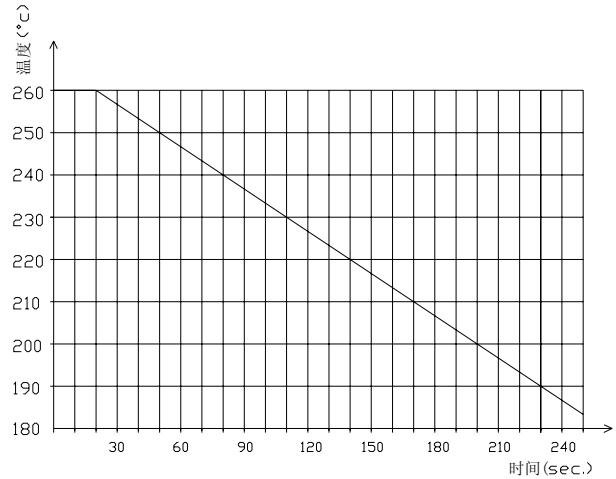
	Product Specification	DOC. No.: 651-0251-01	Rev.: D	Page: 3/5
	Part Number: KH-3030175-G1	Checker/Date Henry 06/01/18'	Inspector/Date Henry 06/01/18'	Maker/Date SAM 06/01/18'

6、SMT Temperature Curve

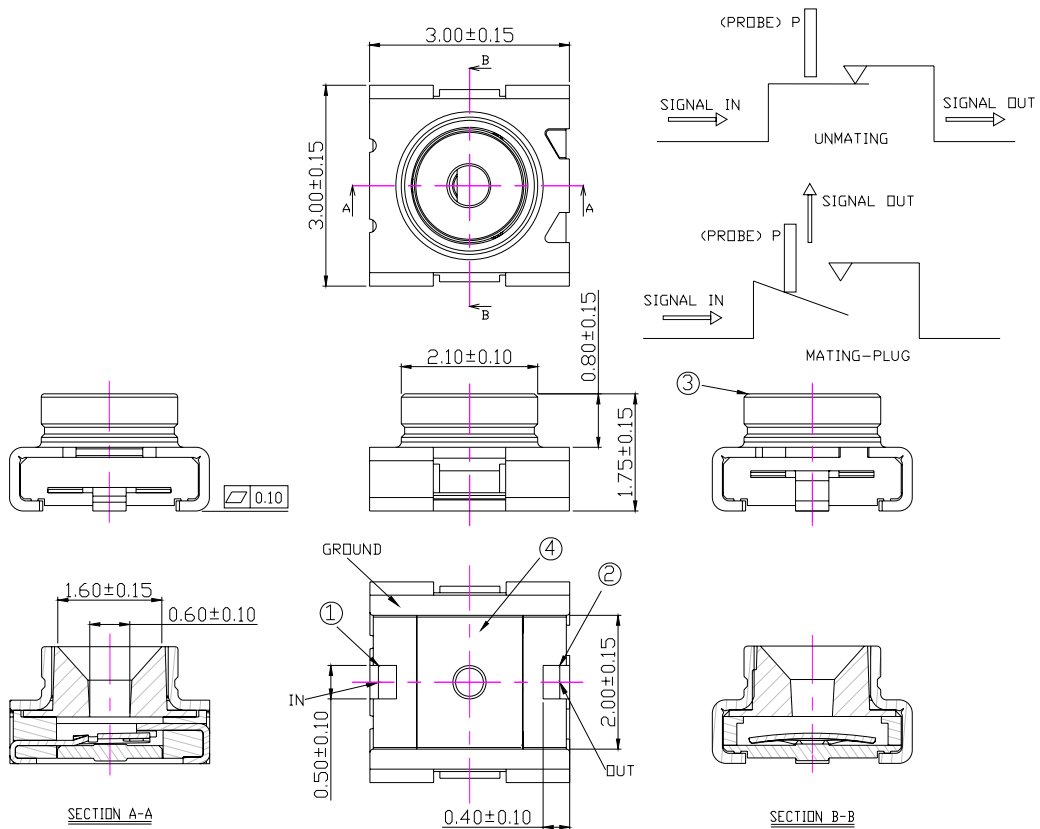
6.1 Reflow Soldering Standard Conditions



6.2 Allowable Temperature and Time of Reflow Soldering



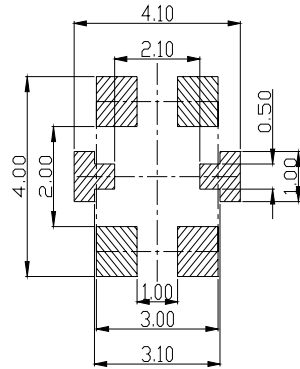
7、Appearance Dimension



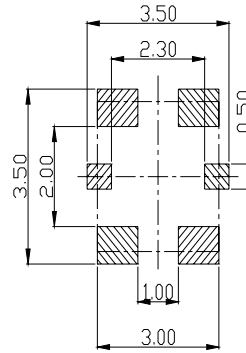
4	Case	Engineering plastic	UL 94V-0, BLACK	1
3	Output terminal	Copper Alloy	50u"Ni Overall, Contact Area Au2u", Soldering Area Gold Flash	1
2	Input terminal(R)	Copper Alloy	50u"Ni Overall, Contact Area Au5u", Soldering Area Gold Flash	1
1	Input terminal(C)	Stainless Steel	50u"Ni Overall, Contact Area Au5u", Soldering Area Gold Flash	1
No.	Part Name	Material	Finish	Q'ty

	Product Specification	DOC. No.: 651-0251-01	Rev.: D	Page: 4/5
	Part Number: KH-3030175-G1	Checker/Date Henry 06/01/18'	Inspector/Date Henry 06/01/18'	Maker/Date SAM 06/01/18'

8、Printed circuit board (PCB) pad



Recommend PCB Layout
General Tolerance: ± 0.05

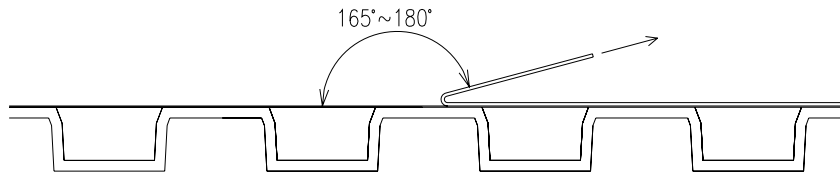


The standard solder stencil mask pattern
(Mask thickness 0.15mm)

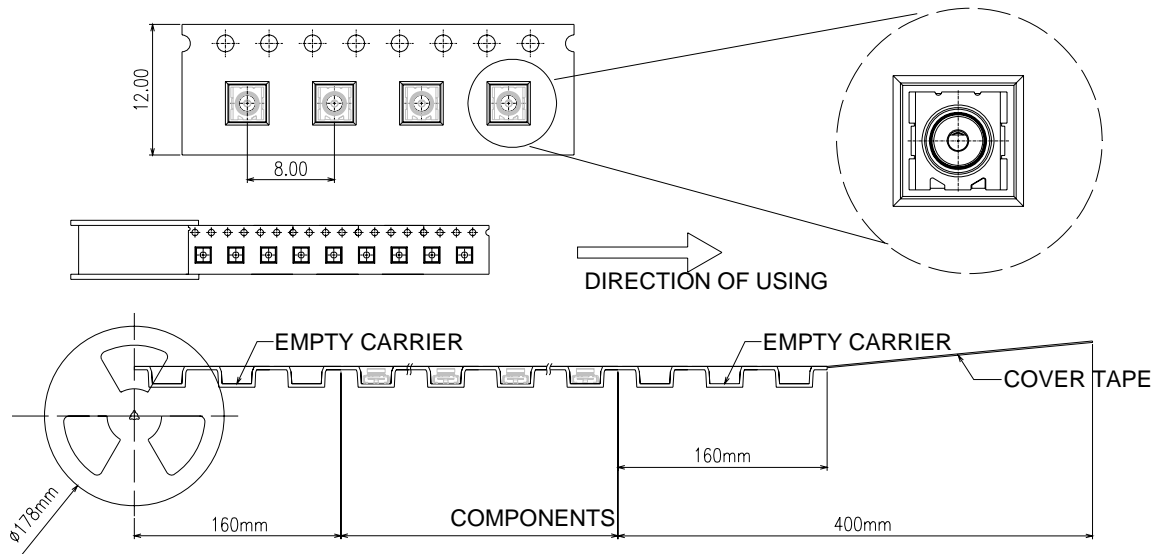
9、PACKING SPECIFICATION

9.1 Peeling off Force of Cover Tape

When cover tape is peeled off as in right figure by a speed of 300mm/minute. The peeling off force should be 1.3N maximum.



9.2 THE WAY OF PACKAGE : TAPE PACKING, 1000Pcs/REEL ($\Phi 178\text{mm}$)



10、Storage Conditions

Temperature: $-10\sim+40\text{ }^{\circ}\text{C}$

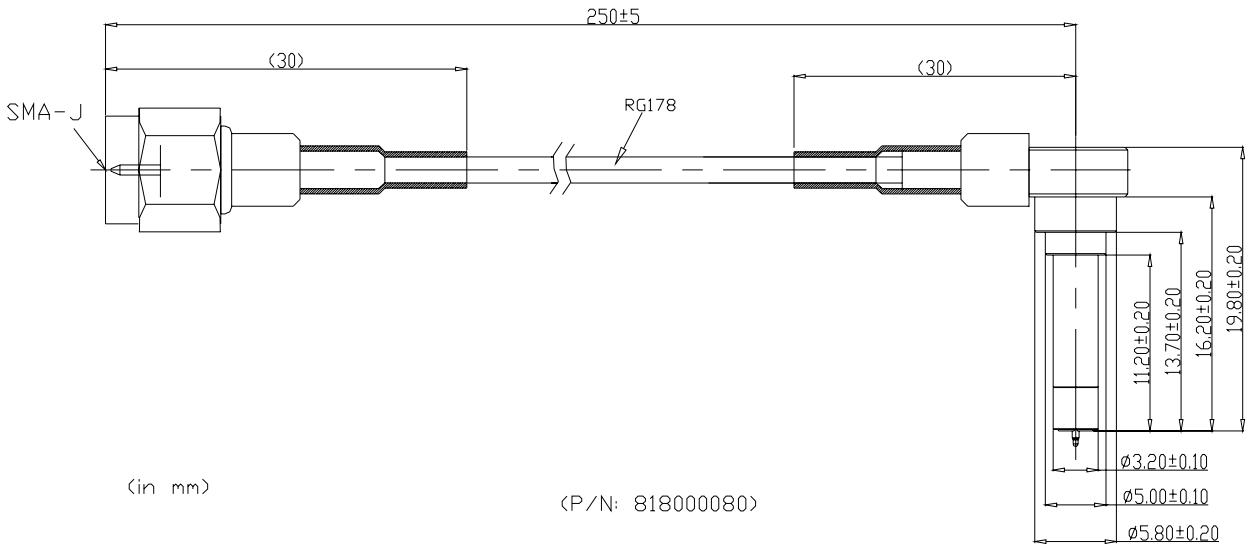
Moisture: 15~85 % RH

Valid Period: 6 months

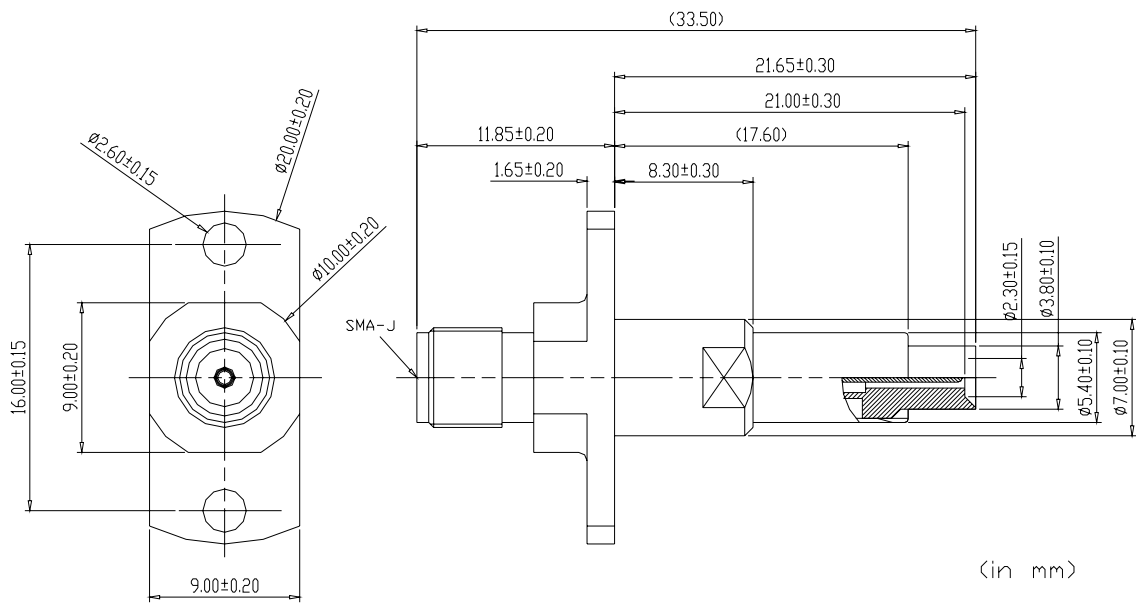
	Product Specification	DOC. No.: 651-0251-01	Rev.: D	Page: 5/5
	Part Number: KH-3030175-G1	Checker/Date Henry 06/01/18'	Inspector/Date Henry 06/01/18'	Maker/Date SAM 06/01/18'

11、Accessories for Tests

TYPE I :



TYPY II :



X-ON Electronics

Largest Supplier of Electrical and Electronic Components

Click to view similar products for [RF Connectors / Coaxial Connectors](#) category:

Click to view products by [Kinghelm](#) manufacturer:

Other Similar products are found below :

[8915-1511-000](#) [89674-0827](#) [6001-7071-019](#) [6002-7051-003](#) [6059674-1](#) [619550-1](#) [630059-000](#) [M39012/25-3026](#) [M39030/3-01N](#) [6501-1071-002](#) [6769](#) [7002-1541-010](#) [7003-1542-011](#) [7004-1512-000](#) [7009-1511-004](#) [7029-1511-060](#) [7101-1541-010](#) [7101-1571-002](#) [7105-1521-002](#) [7203-1571-003](#) [7209-1511-011](#) [7210-1511-015](#) [7210-1511-040](#) [7242-1511-000](#) [73216-2241](#) [73404-2300](#) [7405-1521-005](#) [7405-1521-802](#) [7406-1521-005](#) [8527](#) [8547](#) [FS11V](#) [877931](#) [8808-1511-001](#) [9049-9513-000](#) [9074-9513-000](#) [910A205F](#) [PL40-36](#) [PL40-5](#) [PL71-9](#) [980-8666-005](#) [1200690078](#) [1-201144-1](#) [120919](#) [R107003010W](#) [R110A172100](#) [R112186000](#) [R113053000W](#) [R113081000](#) [R113082097](#)