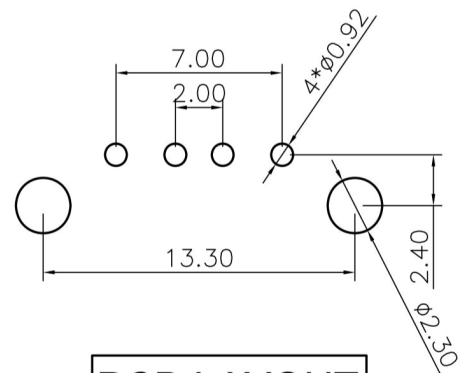
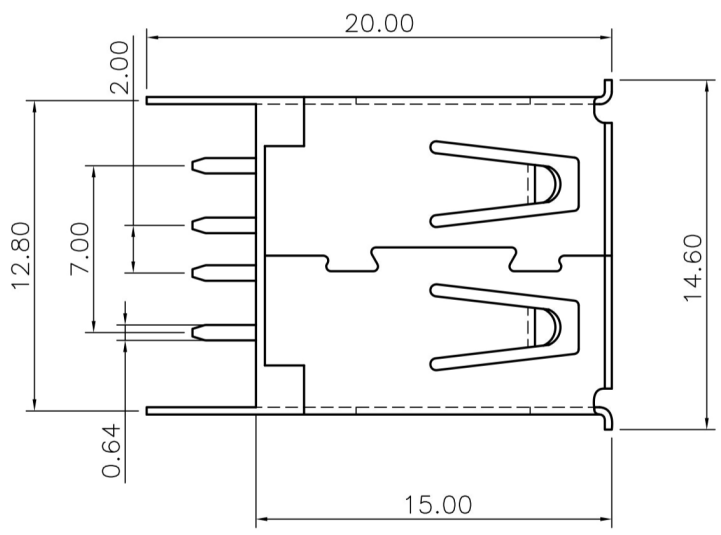
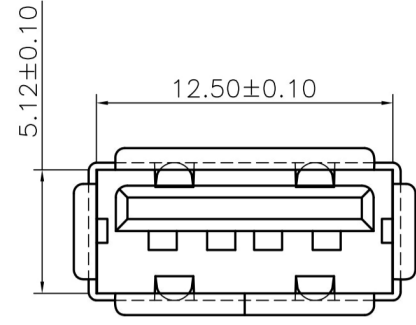
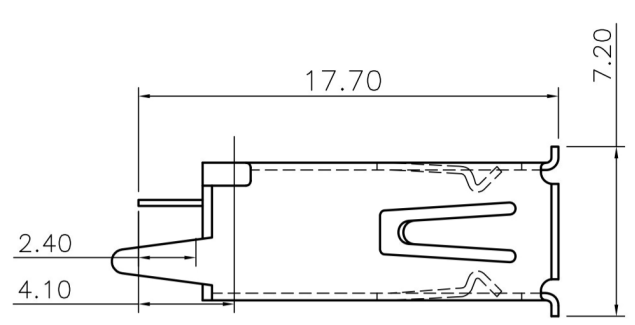


REV.	ECN.NO.	APPD.
A	/	pcy



**PCB.LAYOUT**

**NOTES:**

- 1.MATERIAL:
  - 1.1 Housing:thermoplastic plastics
  - 1.2 terminals:Copper Alloy  
Gold plated in contact area:  
Tin plated in termination  
Nickel Plated overall
  - 1.3 Shell:Steel&Copper Alloy  
Nickel Plated overall
- 2.ELECTRICAL CHARACTERISTICS:
  - 2.1 Rating Current :1.5 Ampere
  - 2.2 Rating Voltage :30 V Max
  - 2.3 Contact Resistance:30 Milli ohms
  - 2.4 Insulation Resistance:1000 Mega ohms Min.
- 3.MECHANICAL CHARACTERISTICS:
  - 3.1 Connector Mating force: 35N MAX(3.57Kgf)
  - 3.2 Connector Unmating force:10N min(1.02Kgf)
  - 3.3 Durability:1500Cycles.
- 4.ENVIRONMENT CHARACTERISTICS:
  - 4.1 Operating temperature:-0°C to +50°C
  - 4.2 Storage temperature:-20°C to +60°C

U223-031X-XXX0XR

- |                              |                   |
|------------------------------|-------------------|
| 1:Iron alloy<br>Ni plating   | 1:tray            |
| 5:Copper alloy<br>Ni plating | 2:Tube            |
| 1:Au 1u"                     | 8:Tape&Reel       |
| 3:Au 3u"                     | 9:Tape&Reel+Mylar |
| 5:Au 5u"                     | 1:Black           |
| 7:Au 10u"                    | 2:White           |
| 8:Au 15u"                    | 3:Beige           |
| A:Au 30u"                    | 4:Pure White      |
|                              | 1:PA66            |
|                              | 2:PBT             |
|                              | 6:LCP             |

TOLERANCE UNLESS OTHERWISE SPECIFIED		深圳市金航标电子有限公司 WWW. BDS666. COM					
.XXX ±0.10	.X ±3'	KH-AF180ZJ-15-JB				0755-83044319	
.XX ±0.20	.XX' ±2'	PART NAME:		USB AF 180度直插15.0直脚			
.X ±0.30		PART No:		U223-031X-XXX0XR		C	
APPROVED		PROJECTION:		UNIT:	SCALE	SHEET	REV.
CHECKED		DATE		mm	1:1	10F1	A
DRAWN	pengchaoyong	2015.01.12					

## X-ON Electronics

Largest Supplier of Electrical and Electronic Components

*Click to view similar products for [USB Connectors](#) category:*

*Click to view products by [Kinghelm](#) manufacturer:*

Other Similar products are found below :

[950](#) [MUSBD11135](#) [17-200721](#) [217450-1](#) [KMBVX-TH-5S-B30](#) [KUSBX-AS2N-W](#) [KUSBX-SMT2AP1S-W30](#) [935](#) [957](#) [30-498-6](#) [SK-60A-2](#)  
[1734082-1](#) [30-470](#) [30-489](#) [30-541](#) [A-USB A-2P-C](#) [MIKROE-1451](#) [USBFTVSCCG](#) [1-1734084-2](#) [10135326-001LF](#) [4198](#) [USB-A-D-VT](#)  
[USB-A-S-RA-TSMT](#) [1310-1023-02](#) [690-024-633-031](#) [UB-20PMFP-LC7001](#) [17-200011](#) [UB-20AFMM-LL7A01](#) [1040870124](#) [CAP-](#)  
[WCCMLPB1](#) [CAP-WCCMLPC1](#) [2274475-3](#) [UB-20BMFA-SL8001](#) [914-614A2025S10200](#) [USB3FTV7SAGF059](#) [ZX40-B-5S-1500-](#)  
[STDA\(30\)](#) [GSB3116344HR](#) [USB3FTV2SAZNF459](#) [USB3FTV7SAZNF459](#) [U221-041N-1WVS62-F5D](#) [HYCW153-USBD05-500B](#)  
[HYCW219-USBD05-075B](#) [HYCW148-USBD05-117B](#) [HYCW149-USBD05-740B](#) [HYCW204-USBD05-108B](#) [HYCW214-USBA04-113B](#)  
[HYCW213-USBA04-113B](#) [UB-20AMFM-SL7A01](#) [KMMX-BSMT35S-1-B30TR](#) [2345986-1](#)