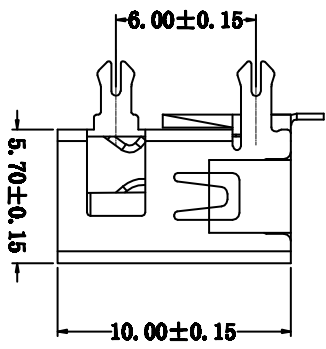
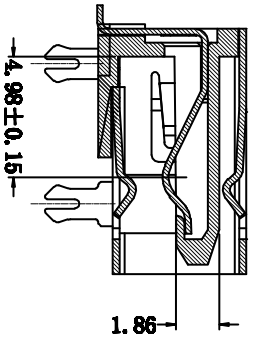
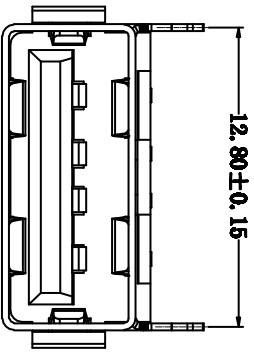
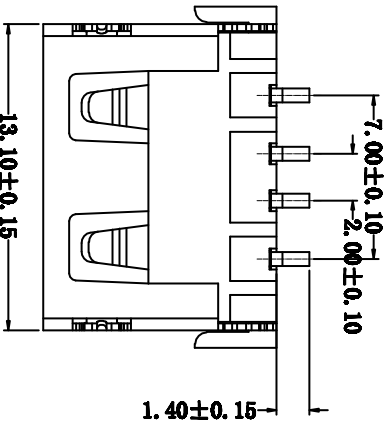
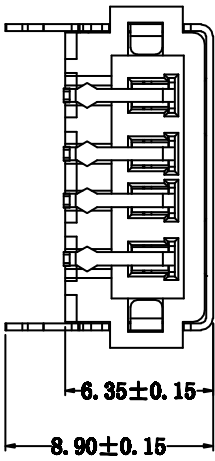
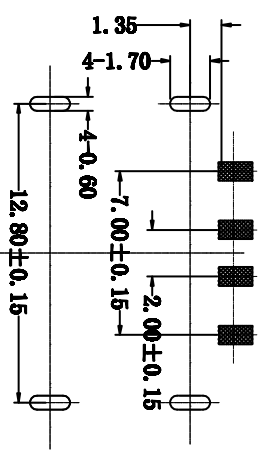


REV.	ECN NO.	LTR	DESCRIPTION	REVISER	DATE



RECOMMENDED PCB LAYOUT



规格说明 (Specifications):

- 0 电气特性 (Electrical):
 - 1 额定电流 (Current Rating):
 - 1.5A/Contact Terminal
 - 2 额定电压 (Voltage Rating):
 - 30V DC
 - 3 接触阻抗 (Contact Resistance):
 - 30 Milliohms Max
 - 4 耐电压 (Dielectric Withstanding Voltage):
 - 500 V AC AT Sea Level
 - 5 绝缘阻抗 (Insulation Resistance):
 - 1000MEGA Ohms Min
- 0 物理性能 (Mechanical):
 - 1 插拔力 (Connector Mate And Unmate Force):
 - Mating Force: 3.57kgf (Max)
 - Unmating Force: 1.02kgf (Min)
 - 2 端子保持力 (Terminal Retention):
 - 1.2kgf (Min)
 - 3 0 原材料 (Material):
 - 3.1 塑胶 (Housing):
 - Hing Temperature Thermoplastics
 - UL 94V-0 FR/IGP White/Black
 - 3.2 端子 (Contact):
 - Copper Alloy C2680 T=0.20MM
 - 3.3 外壳 (Shell):
 - Copper/Retro Alloy C2680/SFCC T=0.30MM
 - 4.0 电镀 (Finish):
 - 4.1 端子 (Contact):
 - Plated Gold in Mating Area
 - Sn ≥ 100U" Ni ≥ 40U" Au=1U" / 3U" / 5U" / ...
 - 4.2 外壳 (Shell):
 - Nickel Plating
 - 12H (Cu ≥ 80U" Ni ≥ 60U")
 - 24H (Cu ≥ 100U" Ni ≥ 80U")
 - 45H (Cu ≥ 120U" Ni ≥ 100U")
 5. Dimension marked 后 must be controlled in QIP.

产品图

PRODUCT CHART DWG

公差一览表
TOLERANCES UNLESS OTHERWISE

公差	范围	公差	范围
X.	±0.25	X.	±5.°
.X	±0.20	.X	±2.°
.XX	±0.15	.XX	±1.°
.XXX	±0.10	.XXX	±0.5°

深圳市金航标电子有限公司

KH-AF90HSMT-10-H6.3

WWW.BDS666.COM

0755-83044319

单位	MM	制图	制图料号	制图料号	角法	版本	版本
UNITS	MM	DRAWING	PRODUCT PART NO.	PRODUCT NO.	UNB A/P	REV	REV
比例	1:1	审核	产品名称	规格			
SCALE	1:1	CHD					
日期	2017.03.10	核准					
DATE	2017.03.10	APD					

X-ON Electronics

Largest Supplier of Electrical and Electronic Components

Click to view similar products for [USB Connectors](#) category:

Click to view products by [Kinghelm](#) manufacturer:

Other Similar products are found below :

[950](#) [MUSBD11135](#) [17-200721](#) [217450-1](#) [KMBVX-TH-5S-B30](#) [KUSBX-AS2N-W](#) [KUSBX-SMT2AP1S-W30](#) [935](#) [957](#) [30-498-6](#) [SK-60A-2](#)
[1734082-1](#) [30-470](#) [30-489](#) [30-541](#) [A-USB A-2P-C](#) [MIKROE-1451](#) [USBFTVSCCG](#) [1-1734084-2](#) [10135326-001LF](#) [4198](#) [USB-A-D-VT](#)
[USB-A-S-RA-TSMT](#) [1310-1023-02](#) [690-024-633-031](#) [UB-20PMFP-LC7001](#) [17-200011](#) [UB-20AFMM-LL7A01](#) [1040870124](#) [CAP-](#)
[WCCMLPB1](#) [CAP-WCCMLPC1](#) [2274475-3](#) [UB-20BMFA-SL8001](#) [914-614A2025S10200](#) [USB3FTV7SAGF059](#) [ZX40-B-5S-1500-](#)
[STDA\(30\)](#) [GSB3116344HR](#) [USB3FTV2SAZNF459](#) [USB3FTV7SAZNF459](#) [U221-041N-1WVS62-F5D](#) [HYCW153-USBD05-500B](#)
[HYCW219-USBD05-075B](#) [HYCW148-USBD05-117B](#) [HYCW149-USBD05-740B](#) [HYCW204-USBD05-108B](#) [HYCW214-USBA04-113B](#)
[HYCW213-USBA04-113B](#) [UB-20AMFM-SL7A01](#) [KMMX-BSMT35S-1-B30TR](#) [2345986-1](#)