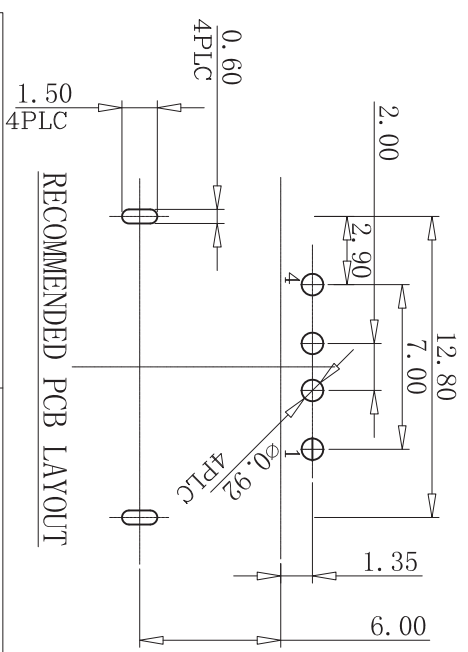
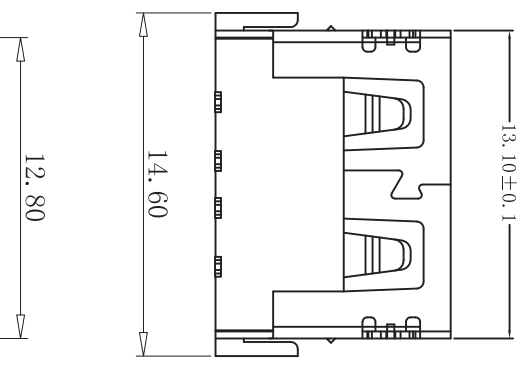
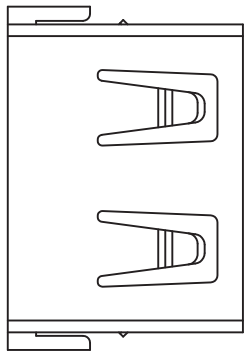
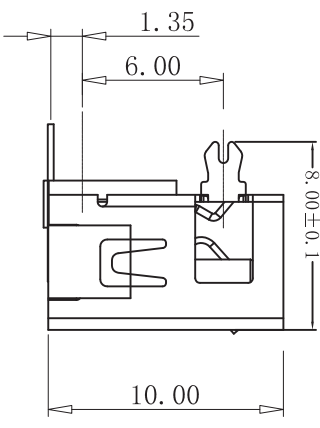
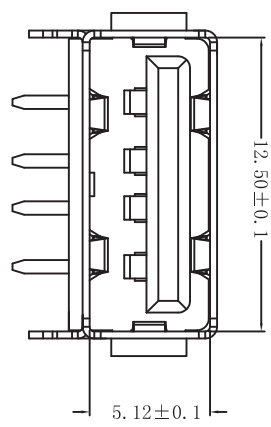
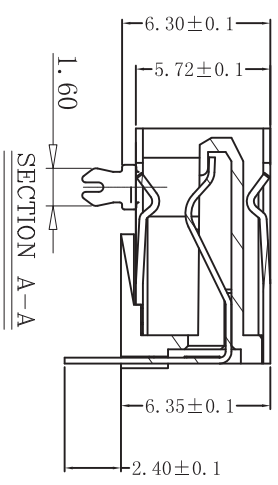


REV.	ECN NO.	LTR	DESCRIPTION	REVISER	DATE



- 规格说明 (Specifications):
- 0 电气特性 (Electrical):
 - 1.1 额定电流 (Current Rating): 1.5A/Contact Terminal
 - 1.2 额定电压 (Voltage Rating): 30V DC
 - 1.3 接触阻抗 (Contact Resistance): 30 Milliohms Max
 - 1.4 耐电压 (Dielectric Withstanding Voltage): 500 V AC AT Sea Level
 - 1.5 绝缘阻抗 (Insulation Resistance): 1000MΩCA Ohms Min
 - 0 物理性能 (Mechanical):
 - 2.1 插拔力 (Connector Mate And Unmate Force): Mating Force: 3.57kgf (Max) Unmating Force: 1.02kgf (Min)
 - 2.2 端子保持力 (Terminal Retention): 1.2kgf (Min)
 - 0 原材料 (Material):
 - 3.1 塑胶 (Housing): High Temperature Thermoplastics UL 94V-0 PBT/LCP White/Black
 - 3.2 端子 (Contact): Copper Alloy C2680 T=0.25MM
 - 3.3 外壳 (Shell): Copper/Ferro Alloy C2680/SPCC T=0.30MM
 - 0 电镀 (Finish):
 - 4.1 端子 (Contact): Plated gold in Mating Area Sn ≥ 1000" Ni ≥ 400" Au=1U" / 30" / 50" / ...
 - 4.2 外壳 (Shell): Nickel Plating 12H (Cu ≥ 800" Ni ≥ 600") 24H (Cu ≥ 1000" Ni ≥ 800") 48H (Cu ≥ 1200" Ni ≥ 1000") ...
5. 0 Dimension marked 尺寸 must be controlled in QIP.

产品图

PRODUCT CHART DWG
公差一览表
TOLERANCE UNLESS OTHERWISE

X.	±0.25	X.	±5.°
X.	±0.20	X.	±2.°
.XX	±0.15	.XX	±1.°
.XXX	±0.10	.XXX	±0.5°

深圳市金航标电子有限公司

KH-AF900C-10-H6.3

WWW.BDS666.COM

0755-83044319

单位	MM	制图	制图料号
UNITS	MM	DRAWING	PRODUCT PART NO.
比例	1:1	审核	产品名称
SCALE	1:1	CHKD	USB A/F 两脚插板无卷边(短体10.0 H=6.3, DIP)
日期	2017.03.10	核准	角法
DATE	2017.03.10	APPD	VIEW

X-ON Electronics

Largest Supplier of Electrical and Electronic Components

Click to view similar products for [USB Connectors](#) category:

Click to view products by [Kinghelm](#) manufacturer:

Other Similar products are found below :

[950](#) [MUSBD11135](#) [17-200721](#) [217450-1](#) [KMBVX-TH-5S-B30](#) [KUSBX-AS2N-W](#) [KUSBX-SMT2AP1S-W30](#) [935](#) [957](#) [30-498-6](#) [SK-60A-2](#)
[1734082-1](#) [30-470](#) [30-489](#) [30-541](#) [A-USB A-2P-C](#) [MIKROE-1451](#) [USBFTVSCCG](#) [1-1734084-2](#) [10135326-001LF](#) [4198](#) [USB-A-D-VT](#)
[USB-A-S-RA-TSMT](#) [1310-1023-02](#) [690-024-633-031](#) [UB-20PMFP-LC7001](#) [17-200011](#) [UB-20AFMM-LL7A01](#) [1040870124](#) [CAP-](#)
[WCCMLPB1](#) [CAP-WCCMLPC1](#) [2274475-3](#) [UB-20BMFA-SL8001](#) [914-614A2025S10200](#) [USB3FTV7SAGF059](#) [ZX40-B-5S-1500-](#)
[STDA\(30\)](#) [GSB3116344HR](#) [USB3FTV2SAZNF459](#) [USB3FTV7SAZNF459](#) [U221-041N-1WVS62-F5D](#) [HYCW153-USBD05-500B](#)
[HYCW219-USBD05-075B](#) [HYCW148-USBD05-117B](#) [HYCW149-USBD05-740B](#) [HYCW204-USBD05-108B](#) [HYCW214-USBA04-113B](#)
[HYCW213-USBA04-113B](#) [UB-20AMFM-SL7A01](#) [KMMX-BSMT35S-1-B30TR](#) [2345986-1](#)