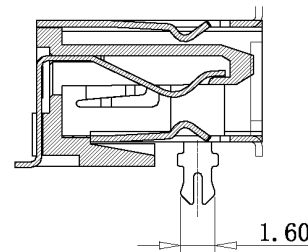


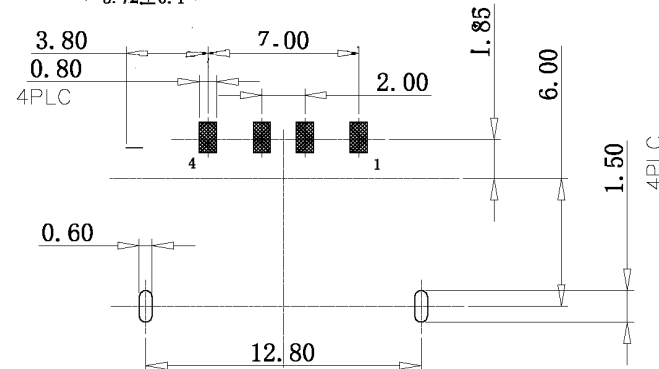
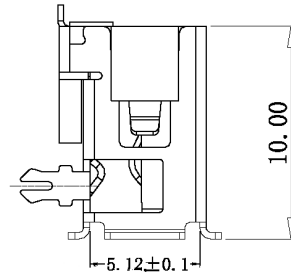
REV.	ECN NO	LTR	DESCRIPTION	REVISER	DATE

规格说明 (Specifications):

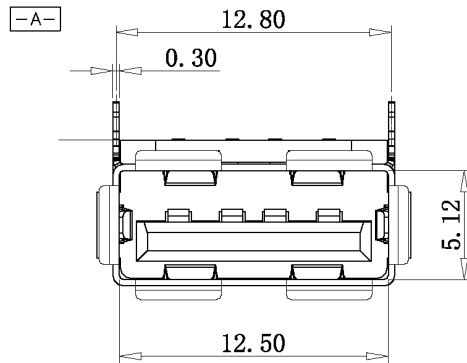
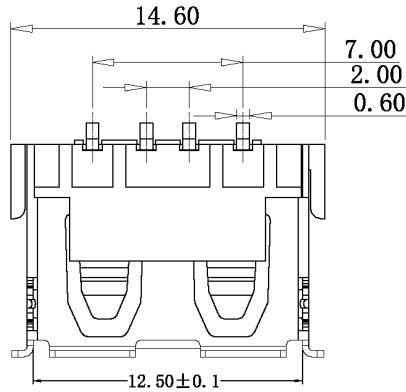
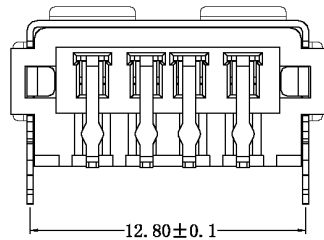
- 1.0 电气特性 (Electrical):
- 1.1 额定电流 (Current Rating):  
1.5A/Contact Terminal
  - 1.2 额定电压 (Voltage Rating):  
30V DC
  - 1.3 接触阻抗 (Contact Resistance):  
30 Milliohms Max
  - 1.4 耐电压 (Dielectric Withstanding Voltage):  
500 V AC AT Sea Level
  - 1.5 绝缘阻抗 (Insulation Resistance):  
1000MEGA Ohms Min
- 2.0 物理性能 (Mechanical):
- 2.1 插拔力 (Connector Mate And Unmate Force):  
Mating Force: 3.57kgf (Max)  
Unmating Force: 1.02kgf (Min)
  - 2.2 端子保持力 (Terminal Retention):  
1.2kgf (Min)
- 3.0 原材料 (Material):
- 3.1 塑胶 (Housing):  
Hing Temperature Thermoplastics  
UL 94V-0 PBT/LCP White/Black
  - 3.2 端子 (Contact):  
Copper Alloy C2680 T=0.25MM
  - 3.3 外壳 (Shell):  
Copper/Ferro Alloy C2680/SPCC T=0.30MM
- 4.0 电镀 (Finish):
- 4.1 端子 (Contact):  
Plated Gold in Mating Area  
Sn ≥ 100U" Ni ≥ 40U" Au = 1U" /3U" /5U" /...
  - 4.2 外壳 (Shell):  
Nickel Plating  
12H (Cu ≥ 80U" Ni ≥ 60U" )  
24H (Cu ≥ 100U" Ni ≥ 80U" )  
48H (Cu ≥ 120U" Ni ≥ 100U" )  
...
- 5.0 Dimension marked 居 msut be controlled in QIP.



SECTION A-A



RECOMMENDED PCB LAYOUT



产品图

PRODUCT CHART DWG

公差一览表

TOLERANCE UNLESS OTHERWISE

X.	±0.25	X.	±5.°
.X	±0.20	.X	±2.°
.XX	±0.15	.XX	±1.°
.XXX	±0.10	.XXX	±0.5°

深圳市金航标电子有限公司

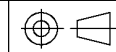
WWW.BDS666.COM

KH-AF90QC-10JB-H6.8SMT

0755-83044319

单位 UNITS	MM	制图 DRAWING	制图料号 PRODUCT PART NO.
比例 SCALE	1:1	审核 CHKD	产品名称 PRODUCT NO.
日期 DATE	2015.11.1	核准 APPD	角法 VIEW
			版本 VER
			AO

USB A/F 两脚插板有卷边端子SMT(短体10.0 H=6.8)



版本  
VER

AO

## X-ON Electronics

Largest Supplier of Electrical and Electronic Components

*Click to view similar products for [USB Connectors](#) category:*

*Click to view products by [Kinghelm](#) manufacturer:*

Other Similar products are found below :

[950](#) [MUSBD11135](#) [17-200721](#) [217450-1](#) [KMBVX-TH-5S-B30](#) [KUSBX-AS2N-W](#) [KUSBX-SMT2AP1S-W30](#) [935](#) [957](#) [30-498-6](#) [SK-60A-2](#)  
[1734082-1](#) [30-470](#) [30-489](#) [30-541](#) [A-USB A-2P-C](#) [MIKROE-1451](#) [USBFTVSCCG](#) [1-1734084-2](#) [10135326-001LF](#) [4198](#) [USB-A-D-VT](#)  
[USB-A-S-RA-TSMT](#) [1310-1023-02](#) [690-024-633-031](#) [UB-20PMFP-LC7001](#) [17-200011](#) [UB-20AFMM-LL7A01](#) [1040870124](#) [CAP-](#)  
[WCCMLPB1](#) [CAP-WCCMLPC1](#) [2274475-3](#) [UB-20BMFA-SL8001](#) [914-614A2025S10200](#) [USB3FTV7SAGF059](#) [ZX40-B-5S-1500-](#)  
[STDA\(30\)](#) [GSB3116344HR](#) [USB3FTV2SAZNF459](#) [USB3FTV7SAZNF459](#) [U221-041N-1WVS62-F5D](#) [HYCW153-USBD05-500B](#)  
[HYCW219-USBD05-075B](#) [HYCW148-USBD05-117B](#) [HYCW149-USBD05-740B](#) [HYCW204-USBD05-108B](#) [HYCW214-USBA04-113B](#)  
[HYCW213-USBA04-113B](#) [UB-20AMFM-SL7A01](#) [KMMX-BSMT35S-1-B30TR](#) [2345986-1](#)