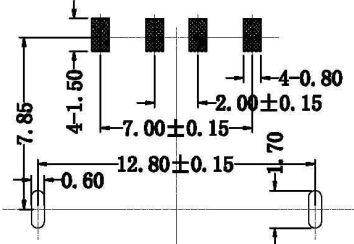
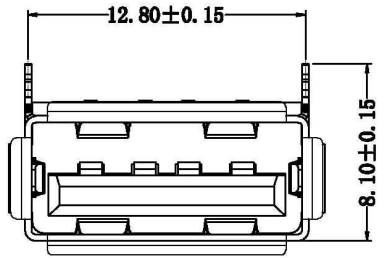
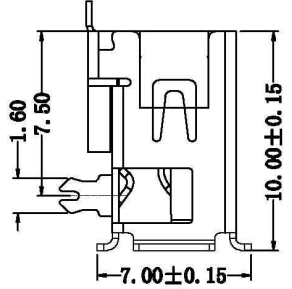
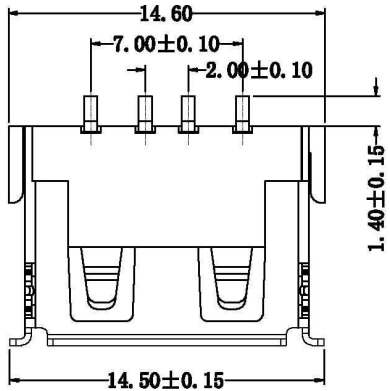
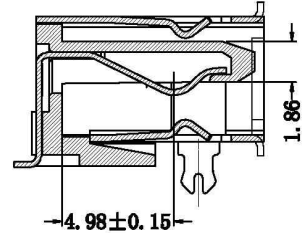
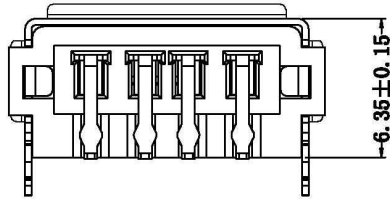


REV.	ECN NO	LTR	DESCRIPTION	REVISER	DATE



**RECOMMENDED PCB LAYOUT**

- 规格说明 (Specifications):**
- 1.0 电气特性 (Electrical):**
    - 1.1 额定电流 (Current Rating): 1.5A/Contact Terminal
    - 1.2 额定电压 (Voltage Rating): 30V DC
    - 1.3 接触阻抗 (Contact Resistance): 30 Milliohms Max
    - 1.4 耐电压 (Dielectric Withstanding Voltage): 500 V AC AT Sea Level
    - 1.5 绝缘阻抗 (Insulation Resistance): 1000MEGA Ohms Min
  - 2.0 物理性能 (Mechanical):**
    - 2.1 插拔力 (Connector Mate And Unmate Force): Mating Force: 3.57kgf (Max) Unmating Force: 1.02kgf (Min)
    - 2.2 端子保持力 (Terminal Retention): 1.2kgf (Min)
  - 3.0 原材料 (Material):**
    - 3.1 塑胶 (Housing): Hing Temperature Thermoplastics UL 94V-0 PBT/LCP White/Black
    - 3.2 端子 (Contact): Copper Alloy C2680 T=0.20MM
    - 3.3 外壳 (Shell): Copper/Ferro Alloy C2680/SPCC T=0.30MM
  - 4.0 电镀 (Finish):**
    - 4.1 端子 (Contact): Plated Gold in Mating Area Sn≥100U" Ni≥40U" Au=1U" /3U" /5U" /...
    - 4.2 外壳 (Shell): Nickel Plating 12H(Cu≥80U" Ni≥60U" ) 24H(Cu≥100U" Ni≥80U" ) 48H(Cu≥120U" Ni≥100U" ) ...
  - 5.0 Dimension marked 居 msut be controlled in QIP.**

<b>产品图</b>				深圳市金航标电子有限公司		WWW.BDS666.COM	
PRODUCT CHART DWG				KH-AF90QCSMT-10JB-H6.3		0755-83044319	
公差一览表				单位		制图	
TOLERANCE UNLESS OTHERWISE				UNITS		DRAWING	
X.	±0.25	X.	±5.°	MM	Z-Y-B	制图料号	
.X	±0.20	.X	±2.°	比例	1:1	产品名称	USB A/F 两脚插板有卷边端子SMT(短体10.0 H=6.3)
.XX	±0.15	.XX	±1.°	SCALE		PRODUCT NO.	
.XXX	±0.10	.XXX	±0.5°	日期	2017.03.10	角法	
				DATE	核淮	VIEW	
				APPD			版本
							VER
							AO

## X-ON Electronics

Largest Supplier of Electrical and Electronic Components

*Click to view similar products for [USB Connectors](#) category:*

*Click to view products by [Kinghelm](#) manufacturer:*

Other Similar products are found below :

[950](#) [MUSBD11135](#) [17-200721](#) [217450-1](#) [KMBVX-TH-5S-B30](#) [KUSBX-AS2N-W](#) [KUSBX-SMT2AP1S-W30](#) [935](#) [957](#) [30-498-6](#) [SK-60A-2](#)  
[1734082-1](#) [30-470](#) [30-489](#) [30-541](#) [A-USB A-2P-C](#) [MIKROE-1451](#) [USBFTVSCCG](#) [1-1734084-2](#) [10135326-001LF](#) [4198](#) [USB-A-D-VT](#)  
[USB-A-S-RA-TSMT](#) [1310-1023-02](#) [690-024-633-031](#) [UB-20PMFP-LC7001](#) [17-200011](#) [UB-20AFMM-LL7A01](#) [1040870124](#) [CAP-](#)  
[WCCMLPB1](#) [CAP-WCCMLPC1](#) [2274475-3](#) [UB-20BMFA-SL8001](#) [914-614A2025S10200](#) [USB3FTV7SAGF059](#) [ZX40-B-5S-1500-](#)  
[STDA\(30\)](#) [GSB3116344HR](#) [USB3FTV2SAZNF459](#) [USB3FTV7SAZNF459](#) [U221-041N-1WVS62-F5D](#) [HYCW153-USBD05-500B](#)  
[HYCW219-USBD05-075B](#) [HYCW148-USBD05-117B](#) [HYCW149-USBD05-740B](#) [HYCW204-USBD05-108B](#) [HYCW214-USBA04-113B](#)  
[HYCW213-USBA04-113B](#) [UB-20AMFM-SL7A01](#) [KMMX-BSMT35S-1-B30TR](#) [2345986-1](#)