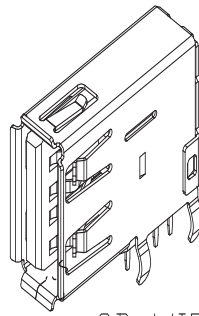


RoHS 2.0

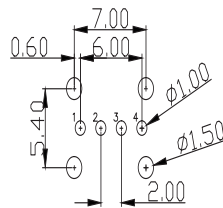
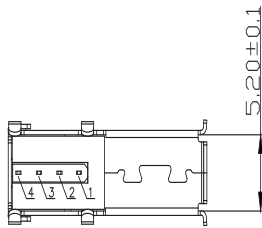
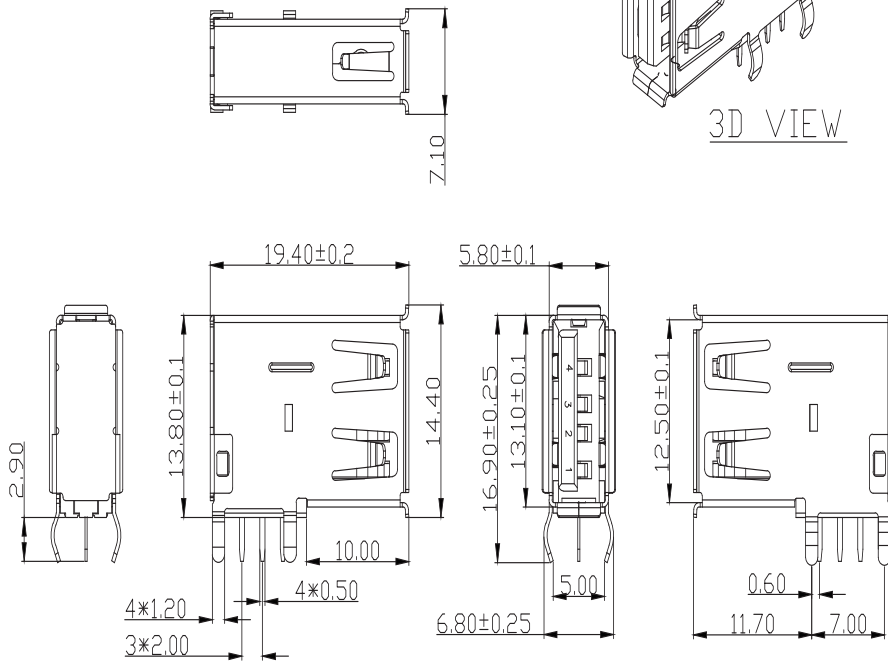
REV.	ECN NO.	DESCRIPTION	DATE	DESIGN
A1.	/.	重新核对图面	21.01.07	LiHui



3D VIEW

NOTES:

1. MATERIAL:
  - 1.1. HOUSING: PBT ,COLOR IS WHITE;
  - 1.2. CONTACT: BRASS,T=0.25±0.02mm;
  - 1.3. SHELL: SPCC,T=0.3±0.02mm;
2. FINISH:
  - 2.1. TERMINAL:  
CONTACT AREA: GOLD PLATED G/Fu";  
SOLDER AREA: PLATED OVER TIN;
  - 2.2. SHELL: NI PLATED OVER ALL ;
3. RECINNED PCB THICKNESS: 1.60mm;
4. ELECTRICAL:
  - 4.1. VOLTAGE RATING: 30 VAC RMS;
  - 4.2. CURRENT RATING: 1.5 AMP;
  - 4.3. CONTACT RESISTANCE: 30MILLIOHMS MAX.;
  - 4.4. WITHSTAND VOLTAGE: 500 VAC RMS  
50(60)Hz,1MIN.;
  - 4.5. INSULATION RESISTANCE: 100MEGOHMS MIN  
@500V DC;
5. MECHANICAL:
  - 5.1. MATING FORCE: 35N MAX.;
  - 5.2. UNMATING FORCE: 5~35N;
  - 5.3. OPERATING LIFE: 1500 CYCLES MIN.;
6. ENVIRONMENTAL:
  - 6.1. STORAGE TEMPERATURE RANGE: -40°C~+85°C;
  - 6.2. OPERATION TEMPERATURE RANGE: -25°C~+70°C;



RECOMMEND PCB LAYOUT(±0.05)

深圳市金航标电子有限公司		WWW.BDS666.COM		
KH-AF90WJ-19.4JB-C1.2X6.8		0755-83044319		
UNLESS OTHERWISE SPECIFIED, GENERAL TOLERANCE: X.xxx ±0.10 X.xx ±0.20 X.x ±0.30	NAME:	A母侧插长体有边 (K脚1.2*6.8) 白胶		P/N: 09.04.01.009
	THIRD ANGLE PROJECTION	UNIT:	SCALE:	SIZE: SHEET: REV.:
ANGULAR: X.xx' ±1' X.x' ±3' X.' ±5'		mm	1:1	A4 1/1 A1
DRAWN:		CHECKED:		APPROVED

## X-ON Electronics

Largest Supplier of Electrical and Electronic Components

*Click to view similar products for [USB Connectors](#) category:*

*Click to view products by [Kinghelm](#) manufacturer:*

Other Similar products are found below :

[950](#) [MUSBD11135](#) [17-200721](#) [217450-1](#) [KMBVX-TH-5S-B30](#) [KUSBX-AS2N-W](#) [KUSBX-SMT2AP1S-W30](#) [935](#) [957](#) [30-498-6](#) [SK-60A-2](#)  
[1734082-1](#) [30-470](#) [30-489](#) [30-541](#) [A-USB A-2P-C](#) [MIKROE-1451](#) [USBFTVSCCG](#) [1-1734084-2](#) [10135326-001LF](#) [4198](#) [USB-A-D-VT](#)  
[USB-A-S-RA-TSMT](#) [1310-1023-02](#) [690-024-633-031](#) [UB-20PMFP-LC7001](#) [17-200011](#) [UB-20AFMM-LL7A01](#) [1040870124](#) [CAP-](#)  
[WCCMLPB1](#) [CAP-WCCMLPC1](#) [2274475-3](#) [UB-20BMFA-SL8001](#) [914-614A2025S10200](#) [USB3FTV7SAGF059](#) [ZX40-B-5S-1500-](#)  
[STDA\(30\)](#) [GSB3116344HR](#) [USB3FTV2SAZNF459](#) [USB3FTV7SAZNF459](#) [U221-041N-1WVS62-F5D](#) [HYCW153-USBD05-500B](#)  
[HYCW219-USBD05-075B](#) [HYCW148-USBD05-117B](#) [HYCW149-USBD05-740B](#) [HYCW204-USBD05-108B](#) [HYCW214-USBA04-113B](#)  
[HYCW213-USBA04-113B](#) [UB-20AMFM-SL7A01](#) [KMMX-BSMT35S-1-B30TR](#) [2345986-1](#)