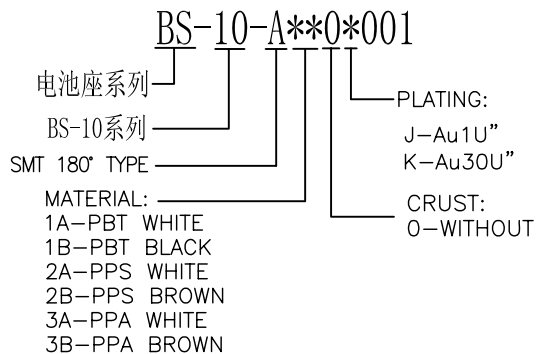


ORDERING INFORMATION



NOTE:

- MATERIAL:
 - a. HOUSING: THERMOPLASTIC GLASS FIBRE UL94V-0
 - b. CONTACT: PHOSPHOR BRONZE (SURFACE PLATING: Au*u")
- ELECTRIC:
 - a. CONTACT RESISTANCE: 30 MILLIOHMS MAX
 - b. INSULATION RESISTANCE: 1000 MEGA OHMS MIN
 - c. DIELECTRIC VOLTAGE: 750V AC ONE SEC LEVEL
 - d. OPERATING TEMPERATURE: -55° C ~ +85° C

Recommend PCB Layout
PCB Top View

SEE ORDERING INFORMATION

NO.	PART NAME	TER'NO.	Q'TY	MATERIAL	PLATING & COLOR
3	SPRING(-)		1	Phosphor Bronze, T=0.20	Au-Plated
2	SPRING(+)		1	Phosphor Bronze, T=0.20	Au-Plated
1	HOUSING		1	PPS	Black

DECIMALS: X		ANGLES: ±1° ±0.5°		SCALE: 1:1	SIZE: A4	VIEW:	MODEL TYPE: BATTERY HOLDER CR2032
X.XXX ±0.10				UNIT: mm	REV.: A/0	OBJECT:	PART NO: BS-10(Sony)
				DSND		DATE	
				CHKD		DATE	
				APVD		DATE	
WEIGHT: g		深圳市金航标电子有限公司				www.kinghelm.com.cn	
SHEET 1 OF 1		KH-BS-10-Z				0755-28190160	

X-ON Electronics

Largest Supplier of Electrical and Electronic Components

Click to view similar products for [Coin Cell Battery Holders](#) category:

Click to view products by [Kingham](#) manufacturer:

Other Similar products are found below :

[PDSN-11-D](#) [799-2007](#) [BH44AAB](#) [BH48DL](#) [BH8000](#) [MY-2430-01-R](#) [BS-16-B4AA006-R](#) [KH-CR1220-2](#) [BH-18650-A1AJ006](#) [BS-02-A1BK007](#) [BH-18650-A1AJ005](#) [BS-12-B3AA009-R](#) [BS-02-A1AK010-X](#) [BS-02-A1AJ010](#) [BS-03-A1AJ001](#) [MY-FJ-131-J-R](#) [MY-FJ-04-J-R](#) [BS-08-B2AA025](#) [BS-24-A1AJ017](#) [BH-18650-A5BJ001-2D](#) [BS-12-A1AJ002-Z](#) [BS-08-B2AA032](#) [MY-2032-04-R](#) [BS-12-B3AA011-R](#) [BS-621-B4AA001-R](#) [MY-ZJ-110](#) [MY-FJ-127-R](#) [BS-06-B4AA002-R](#) [MY-1220-04](#) [BH-AAA-A1AJ001](#) [BS-12-B3AA003-T](#) [MY-FJ-115II-R](#) [BS-06-B4AK001-R](#) [BH-18650-B1BA007](#) [MY-FJ-115II](#) [BH-AAA-B5AA001](#) [BE-13-017](#) [MY-2477-01](#) [BS-12-B3AA013](#) [BC-25-5PD-300](#) [BS-08-B2AA016-R](#) [MY-AAA-22-J](#) [MY-AA-14-J](#) [MY-AAA-24-J](#) [MY-2032-28](#) [BS-06-A4BK016](#) [MY-FJ-01](#) [MY-1025-01](#) [MY-AA-5355-J](#) [BS-05-A1BJ018](#)