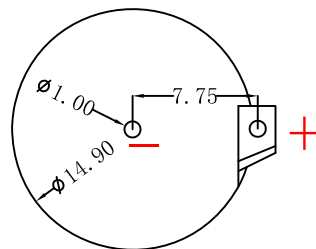
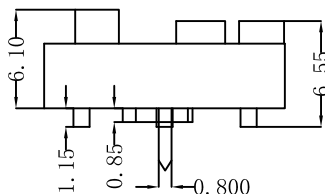
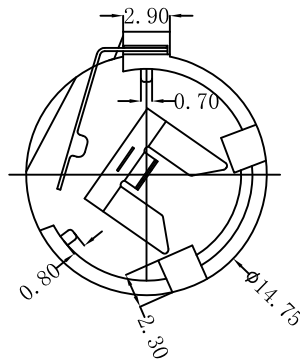
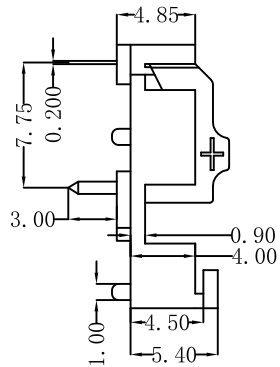
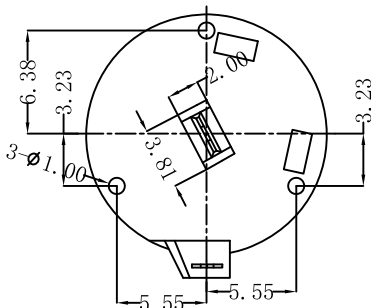




REV.	ECN NO.	REVISED	DATE



PCB Layout Diagram
Top View



NOTE:

1. MATERIAL:

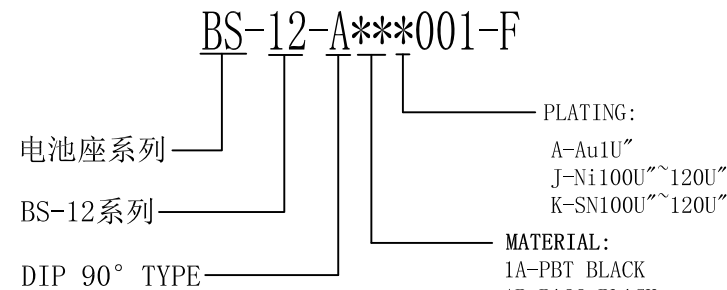
- a. HOUSING: THERMOPLASTIC GLASS FIBRE UL94V-0
 - b. CONTACT: PHOSPHOR BRONZE
(SURFACE PLATING: Sn100u")
- SEE ORDERING INFORMATION

2. ELECTRIC:

- a. CONTACT RESISTANCE: 30 MILLIOHMS MAX
- b. INSULATION RESISTANCE: 1000 MEGA OHMS MIN
- c. DIELECTRIC VOLTAGE: 500V AC ONE SEC LEVEL
- d. OPERATING TEMPERATURE: -25° C ~ +85° C

ORDERING INFORMATION

BS-12-A***001-F



- PLATING:**
A-Au1U"
J-Ni100U"~120U"
K-SN100U"~120U"
- MATERIAL:**
1A-PBT BLACK
1B-PA66 BLACK
2A-PPA BROWN
2B-PPA BLACK
3A-PPS BROWN
3B-PPS BLACK
4A-LCP WHITE
4B-LCP BLACK



3	TERMINAL (-)	1	PHOSPHOR BRONZE, T=0.20MM	Sn-Plating
2	TERMINAL (+)	1	PHOSPHOR BRONZE, T=0.20MM	Sn-Plating
1	HOUSING	1	PBT	BLACK
NO.	PART NAME	Q'TY	MATERIAL	PLATING & COLOR

UNLESS OTHERWISE SPECIFIED TOLERANCES		深圳市金航标电子有限公司		www.kinghelm.com.cn		
		KH-BS1220-1		0755-28190160		
DECIMALS: X : ±0.30 X.X : ±0.25 X.XX : ±0.20 X.XXX : ±0.10	ANGLES: X : ±1° X.X : ±0.5°	SCALE: 1:1	SIZE: A4	VIEW:	PART NO: BS-12-A1AK001-F	
WEIGHT: 0.4 g		UNIT: mm	REV.: A/0	OBJECT: MY	TITLE: BS-1220-1-F反向	
SHEET 1 OF 1		DSND	YangFeng	DATE		2014. 11. 3
		CHKD	ZhouRuicai	DATE		2014. 11. 3
		APVD	XueZhengy	DATE	2014. 11. 3	

X-ON Electronics

Largest Supplier of Electrical and Electronic Components

Click to view similar products for [Coin Cell Battery Holders](#) category:

Click to view products by [Kingham](#) manufacturer:

Other Similar products are found below :

[PDSN-11-D](#) [799-2007](#) [BH44AAB](#) [BH48DL](#) [BH8000](#) [MY-2430-01-R](#) [BS-16-B4AA006-R](#) [KH-CR1220-2](#) [BH-18650-A1AJ006](#) [BS-02-A1BK007](#) [BH-18650-A1AJ005](#) [BS-12-B3AA009-R](#) [BS-02-A1AK010-X](#) [BS-02-A1AJ010](#) [BS-03-A1AJ001](#) [MY-FJ-131-J-R](#) [MY-FJ-04-J-R](#) [BS-08-B2AA025](#) [BS-24-A1AJ017](#) [BH-18650-A5BJ001-2D](#) [BS-12-A1AJ002-Z](#) [BS-08-B2AA032](#) [MY-2032-04-R](#) [BS-12-B3AA011-R](#) [BS-621-B4AA001-R](#) [MY-ZJ-110](#) [MY-FJ-127-R](#) [BS-06-B4AA002-R](#) [MY-1220-04](#) [BH-AAA-A1AJ001](#) [BS-12-B3AA003-T](#) [MY-FJ-115II-R](#) [BS-06-B4AK001-R](#) [BH-18650-B1BA007](#) [MY-FJ-115II](#) [BH-AAA-B5AA001](#) [BE-13-017](#) [MY-2477-01](#) [BS-12-B3AA013](#) [BC-25-5PD-300](#) [BS-08-B2AA016-R](#) [MY-AAA-22-J](#) [MY-AA-14-J](#) [MY-AAA-24-J](#) [MY-2032-28](#) [BS-06-A4BK016](#) [MY-FJ-01](#) [MY-1025-01](#) [MY-AA-5355-J](#) [BS-05-A1BJ018](#)