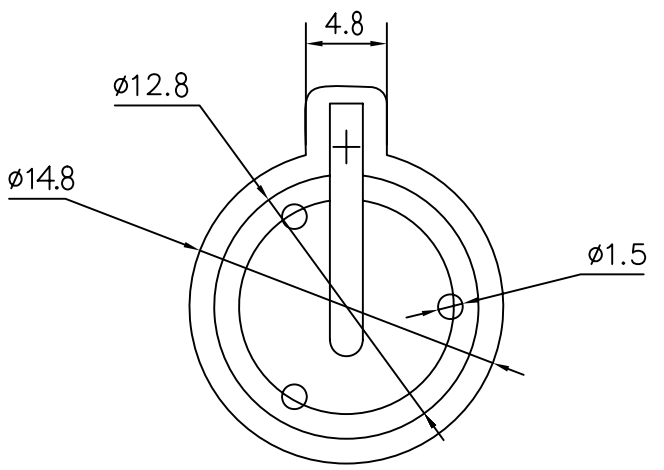
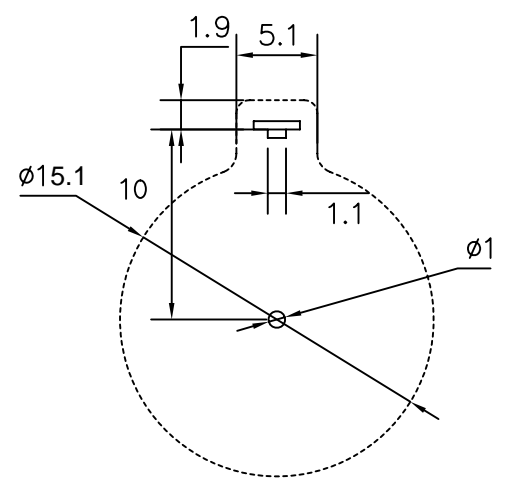
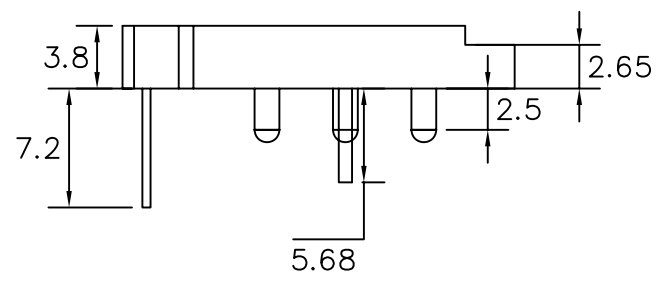
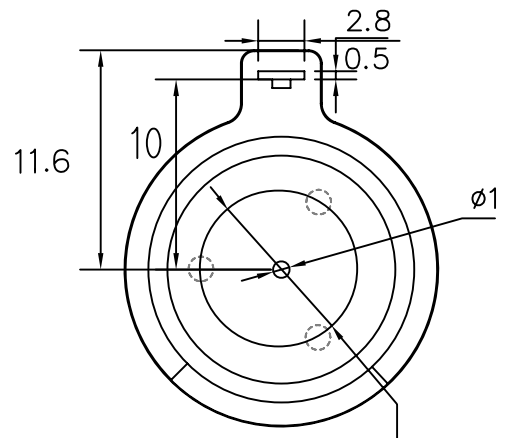


REV.	MATTER	APP.	DATE
A			



NOTE:  
 1.MATERIAL:  
 a.HOUSING:THERMOPLASTIC GLASS FIBRE UL94V-0  
 b.CONTACT:PHOSPHOR BRONZE (SURFACE PLATING:Ni100u")  
 SEE ORDERING INFORMATION  
 2.ELECTRIC:  
 a.CONTACT RESISTANCE: 30 MILLIOHMS MAX  
 b.INSULATION RESISTANCE: 1000 MEGA OHMS MIN  
 c.DIELECTNIC VOLTAGE: 750V AC ONE SEC LEVEL  
 d.OPERATING TEMPERATURE: -55°C~ +85°C

### ORDERING INFORMATION

BS-12-A\*\*0\*0025

电池座系列 ————  
 BS-16系列 ————  
 DIP 90° TYPE ————

PLATING:  
 J-Ni100U"~120U"  
 K-Ni150U"

CRUST:  
 0-WITHOUT

MATERIAL:  
 1A-PBT WHITE  
 1B-PBT BLACK  
 2A-PA66 WHITE  
 2B-PA66 BLACK  
 3A-PA6T WHITE  
 3B-PA6T BLACK

### PCB HOLE LAYOUT

TOLERANCE		Tolerance: Unless otherwise specified			
LINEAR    ANGLE  x.    ±1 .x    ±0.38 .xx   ±0.25 .xxx   ±0.10  x.'    ±5' .x.'   ±2' .xx.'   ±1'	3	TERMINAL-2	Mn Steel	Ni-Plated	
	2	TERMINAL-1	Mn Steel	Ni-Plated	
	1	HOUSING	PBT	BLACK	
	NO.	PART NAME	MATERIAL	COLOR/FINISHED	

日期 DATE			单位 UNITS	审核 CHECK	BATTERY HDLDR	PART NO.
			mm			
比例 SCALE			制图 DRAW	设计 DESIGN	TITLE: 两PIN电池座卧式 (BS-1220-4) 深圳市金航标电子有限公司    www.kinghelm.com.cn KH-BS1220-4                            0755-28190160	
1/1						

## X-ON Electronics

Largest Supplier of Electrical and Electronic Components

*Click to view similar products for [Coin Cell Battery Holders](#) category:*

*Click to view products by [Kingham](#) manufacturer:*

Other Similar products are found below :

[PDSN-11-D](#) [799-2007](#) [BH44AAB](#) [BH48DL](#) [BH8000](#) [MY-2430-01-R](#) [BS-16-B4AA006-R](#) [KH-CR1220-2](#) [BH-18650-A1AJ006](#) [BS-02-A1BK007](#) [BH-18650-A1AJ005](#) [BS-12-B3AA009-R](#) [BS-02-A1AK010-X](#) [BS-02-A1AJ010](#) [BS-03-A1AJ001](#) [MY-FJ-131-J-R](#) [MY-FJ-04-J-R](#) [BS-08-B2AA025](#) [BS-24-A1AJ017](#) [BH-18650-A5BJ001-2D](#) [BS-12-A1AJ002-Z](#) [BS-08-B2AA032](#) [MY-2032-04-R](#) [BS-12-B3AA011-R](#) [BS-621-B4AA001-R](#) [MY-ZJ-110](#) [MY-FJ-127-R](#) [BS-06-B4AA002-R](#) [MY-1220-04](#) [BH-AAA-A1AJ001](#) [BS-12-B3AA003-T](#) [MY-FJ-115II-R](#) [BS-06-B4AK001-R](#) [BH-18650-B1BA007](#) [MY-FJ-115II](#) [BH-AAA-B5AA001](#) [BE-13-017](#) [MY-2477-01](#) [BS-12-B3AA013](#) [BC-25-5PD-300](#) [BS-08-B2AA016-R](#) [MY-AAA-22-J](#) [MY-AA-14-J](#) [MY-AAA-24-J](#) [MY-2032-28](#) [BS-06-A4BK016](#) [MY-FJ-01](#) [MY-1025-01](#) [MY-AA-5355-J](#) [BS-05-A1BJ018](#)