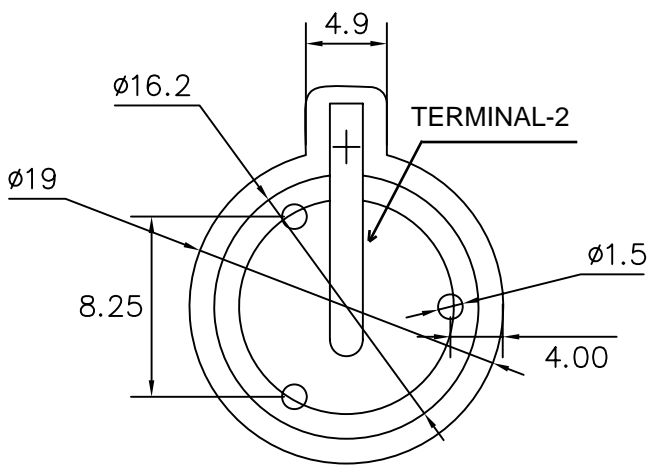
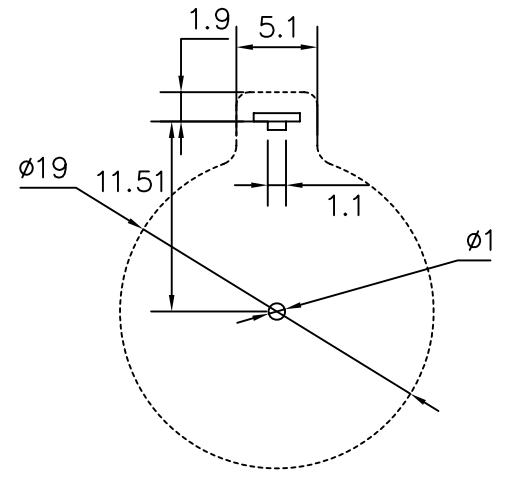
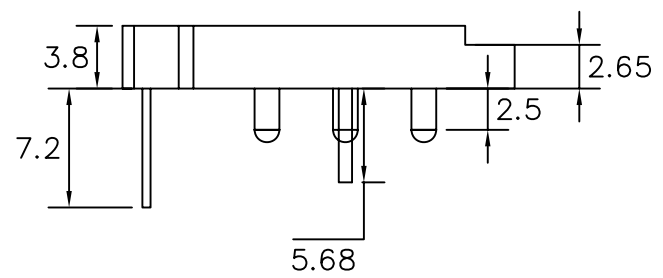
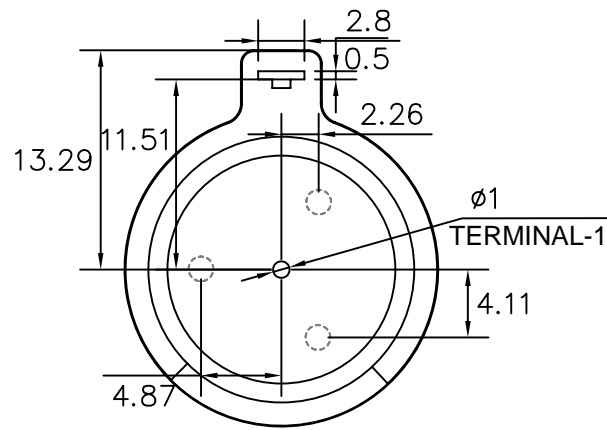


REV.	MATTER	APP.	DATE
A			



NOTE:

- 1.MATERIAL:
 - a.HOUSING:THERMOPLASTIC GLASS FIBRE UL94V-0
 - b.CONTACT:PHOSPHOR BRONZE (SURFACE PLATING:Ni100u")
- 2.ELECTRIC:
 - a.CONTACT RESISTANCE: 30 MILLIOHMS MAX
 - b.INSULATION RESISTANCE: 1000 MEGA OHMS MIN
 - c.DIELECTNIC VOLTAGE: 750V AC ONE SEC LEVEL
 - d.OPERATING TEMPERATURE: -55°C~ +85°C

SEE ORDERING INFORMATION

ORDERING INFORMATION

BS-16-A**0*0025

电池座系列 ————

BS-16系列 ————

DIP 90° TYPE ————

MATERIAL: _____

1A—PBT WHITE

1B—PBT BLACK

2A—PA66 WHITE

2B—PA66 BLACK

3A—PA6T WHITE

3B—PA6T BLACK

PLATING: _____

J—Ni100U"~120U"

K—Ni150U"

CRUST: _____

O—WITHOUT

PCB HOLE LAYOUT

TOLERANCE		Tolerance:Unless otherwise specified			
LINEAR ANGLE x. ±1 .x ±0.38 x.' ±5' .xx ±0.25 .x.' ±2' .xxx ±0.10 .xx.' ±1'	3	TERMINAL-2	C5191	Ni-Plated	
	2	TERMINAL-1	H62	Ni-Plated	
	1	HOUSING	PBT	BLACK	
	NO.	PART NAME	MATERIAL	COLOR/FINISHED	

深圳市金航标电子有限公司 www.kinghelm.com.cn

KH-BS1632-1

0755-28190160

日期DATE	单位UNITS	审核CHECK	BATTERY HDLDER	PART NO. BS-16-A1B0J0025
2011.10.28	mm			
比例SCALE	制图DRAW	设计DESIGN	TITLE: 两PIN电池座卧式 (BS-1632)	
1/1				

X-ON Electronics

Largest Supplier of Electrical and Electronic Components

Click to view similar products for [Coin Cell Battery Holders](#) category:

Click to view products by [Kingham](#) manufacturer:

Other Similar products are found below :

[PDSN-11-D](#) [799-2007](#) [BH44AAB](#) [BH48DL](#) [BH8000](#) [MY-2430-01-R](#) [BS-16-B4AA006-R](#) [KH-CR1220-2](#) [BH-18650-A1AJ006](#) [BS-02-A1BK007](#) [BH-18650-A1AJ005](#) [BS-12-B3AA009-R](#) [BS-02-A1AK010-X](#) [BS-02-A1AJ010](#) [BS-03-A1AJ001](#) [MY-FJ-131-J-R](#) [MY-FJ-04-J-R](#) [BS-08-B2AA025](#) [BS-24-A1AJ017](#) [BH-18650-A5BJ001-2D](#) [BS-12-A1AJ002-Z](#) [BS-08-B2AA032](#) [MY-2032-04-R](#) [BS-12-B3AA011-R](#) [BS-621-B4AA001-R](#) [MY-ZJ-110](#) [MY-FJ-127-R](#) [BS-06-B4AA002-R](#) [MY-1220-04](#) [BH-AAA-A1AJ001](#) [BS-12-B3AA003-T](#) [MY-FJ-115II-R](#) [BS-06-B4AK001-R](#) [BH-18650-B1BA007](#) [MY-FJ-115II](#) [BH-AAA-B5AA001](#) [BE-13-017](#) [MY-2477-01](#) [BS-12-B3AA013](#) [BC-25-5PD-300](#) [BS-08-B2AA016-R](#) [MY-AAA-22-J](#) [MY-AA-14-J](#) [MY-AAA-24-J](#) [MY-2032-28](#) [BS-06-A4BK016](#) [MY-FJ-01](#) [MY-1025-01](#) [MY-AA-5355-J](#) [BS-05-A1BJ018](#)