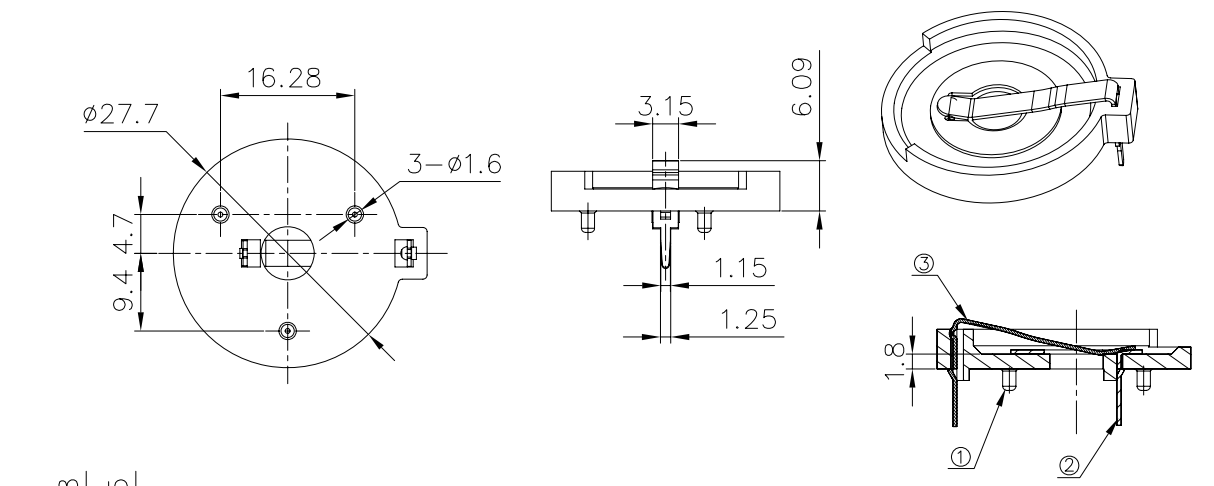
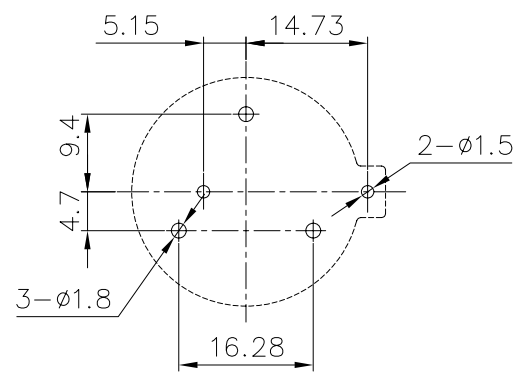
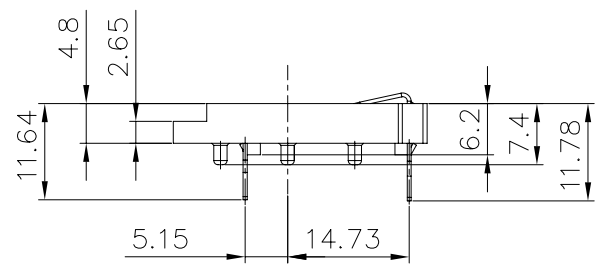


REV.	MATTER	APP.	DATE
A			



NOTE:
 1.MATERIAL:
 a.HOUSING:THERMOPLASTIC GLASS FIBRE UL94V-0
 b.CONTACT:Mn Steel
 (SURFACE PLATING: Ni 100u")
 SEE ORDERING INFORMATION
 2.ELECTRIC:
 a.CONTACT RESISTANCE: 30 MILLIOHMS MAX
 b.INSULATION RESISTANCE: 1000 MEGA OHMS MIN
 c.DIELECTNIC VOLTAGE: 750V AC ONE SEC LEVEL
 d.OPERATING TEMPERATURE: -55°C~ +85°C

ORDERING INFORMATION



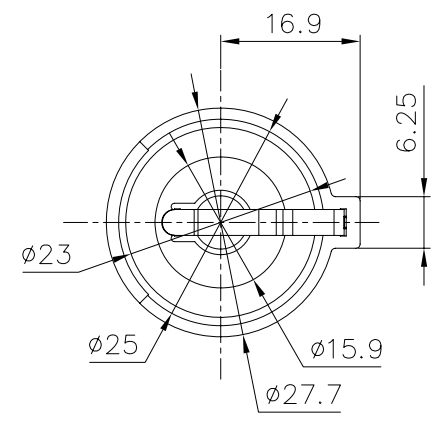
PCB HOLE LAYOUT

BS-24-A**0*0030

PLATING:
 J-Ni100U"~120U"
 K-Ni150U"

CRUST:
 O-WITHOUT

MATERIAL:
 1A-PBT WHITE
 1B-PBT BLACK
 2A-PA66 WHITE
 2B-PA66 BLACK
 3A-PA6T WHITE
 3B-PA6T BLACK



TOLERANCE		Tolerance:Unless otherwise specified		
LINEAR x. ±1 .x ±0.38 .xx ±0.25 .xxx ±0.10 ANGLE x.' ±5' .x.' ±2' .xx.' ±1'	3	TERMINAL-2	Mn Steel	Ni-Plated
	2	TERMINAL-1	Mn Steel	Ni-Plated
	1	HOUSING	PBT	BLACK
	NO.	PART NAME	MATERIAL	COLOR/FINISHED

深圳市金航标电子有限公司 www.kinghel.com.cn

KH-BS2430-1

0755-28190160

日期DATE	单位UNITS	审核CHECK	BATTERY HDLDER	PART NO. BS-24-A1B0J0030
	mm			
比例SCALE	制图DRAW	设计DESIGN	TITLE: 两PIN电池座卧式 (BS-2430-1)	

X-ON Electronics

Largest Supplier of Electrical and Electronic Components

Click to view similar products for [Coin Cell Battery Holders](#) category:

Click to view products by [Kingham](#) manufacturer:

Other Similar products are found below :

[PDSN-11-D](#) [799-2007](#) [BH44AAB](#) [BH48DL](#) [BH8000](#) [MY-2430-01-R](#) [BS-16-B4AA006-R](#) [KH-CR1220-2](#) [BH-18650-A1AJ006](#) [BS-02-A1BK007](#) [BH-18650-A1AJ005](#) [BS-12-B3AA009-R](#) [BS-02-A1AK010-X](#) [BS-02-A1AJ010](#) [BS-03-A1AJ001](#) [MY-FJ-131-J-R](#) [MY-FJ-04-J-R](#) [BS-08-B2AA025](#) [BS-24-A1AJ017](#) [BH-18650-A5BJ001-2D](#) [BS-12-A1AJ002-Z](#) [BS-08-B2AA032](#) [MY-2032-04-R](#) [BS-12-B3AA011-R](#) [BS-621-B4AA001-R](#) [MY-ZJ-110](#) [MY-FJ-127-R](#) [BS-06-B4AA002-R](#) [MY-1220-04](#) [BH-AAA-A1AJ001](#) [BS-12-B3AA003-T](#) [MY-FJ-115II-R](#) [BS-06-B4AK001-R](#) [BH-18650-B1BA007](#) [MY-FJ-115II](#) [BH-AAA-B5AA001](#) [BE-13-017](#) [MY-2477-01](#) [BS-12-B3AA013](#) [BC-25-5PD-300](#) [BS-08-B2AA016-R](#) [MY-AAA-22-J](#) [MY-AA-14-J](#) [MY-AAA-24-J](#) [MY-2032-28](#) [BS-06-A4BK016](#) [MY-FJ-01](#) [MY-1025-01](#) [MY-AA-5355-J](#) [BS-05-A1BJ018](#)