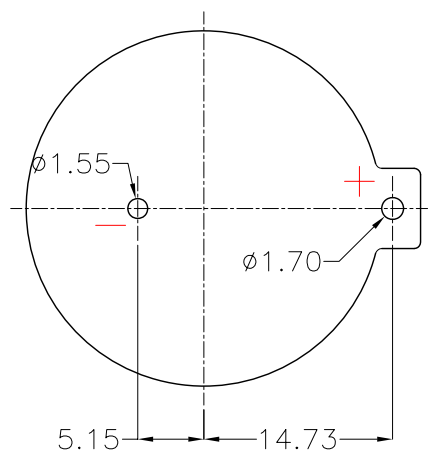
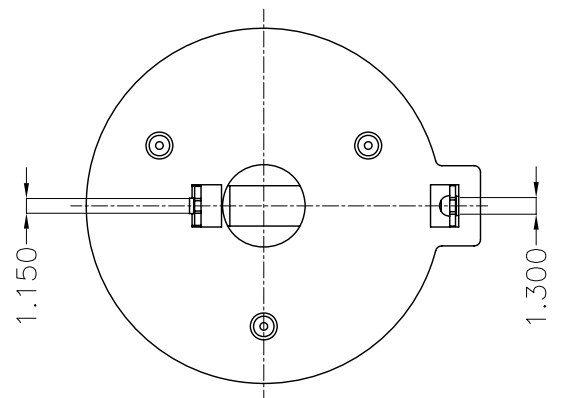
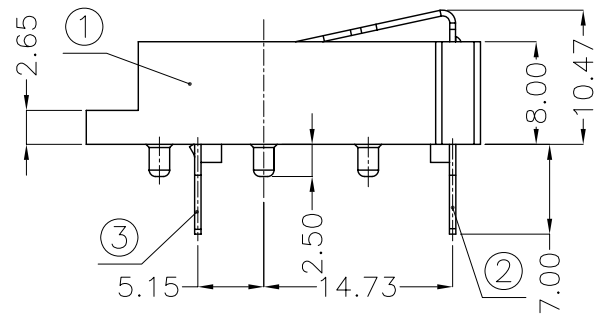
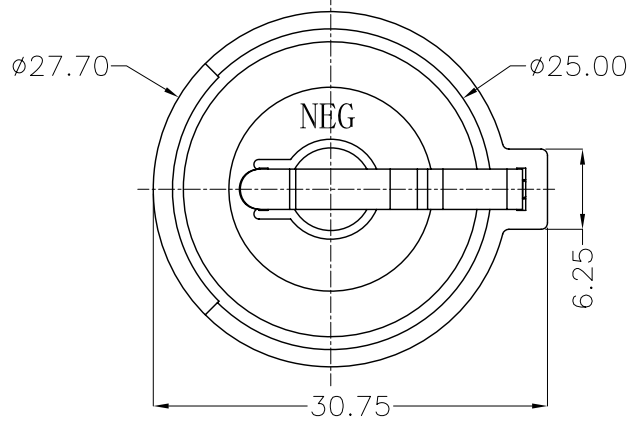




REV.	ECN NO.	REVISED	DATE



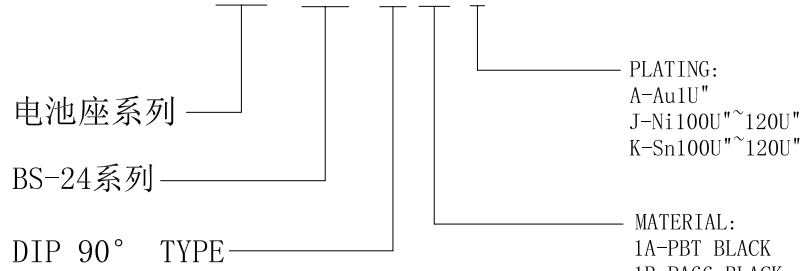
PCB Layout Diagram  
Top View

NOTE:

- MATERIAL:
  - HOUSING:PBT
  - CONTACT:Mn Steel  
(SURFACE PLATING: Ni100u"-120u")  
SEE ORDERING INFORMATION
- ELECTRIC:
  - CONTACT RESISTANCE: 30 MILLIOHMS MAX
  - INSULATION RESISTANCE: 1000 MEGA OHMS MIN
  - DIELECTNIC VOLTAGE: 500V AC ONE SEC LEVEL
  - OPERATING TEMPERATURE: -25°C ~ +85°C

ORDERING INFORMATION

**BS-24-A\*\*\*009**



3	TERMINAL(-)	1	Mn Steel,T=0.50mm	Ni Plating
2	TERMINAL(+)	1	Mn Steel,T=0.50mm	Ni Plating
1	HOUSING	1	PBT	BLACK
NO.	PART NAME	Q'TY	MATERIAL	PLATING & COLOR

UNLESS OTHERWISE SPECIFIED TOLERANCES		深圳市金航标电子有限公司		www.kinghel m.com.cn	
		KH-BS2477-2		0755-28190160	
DECIMALS: X :±0.30 X.X :±0.25 X.XX :±0.20 X.XXX :±0.10	ANGLES: X :±1° X.X :±0.5°	DSND	YangFeng	DATE	2017-07-17
		CHKD	ZhouRuicai	DATE	2017-07-17
		APVD	XueShunyong	DATE	2017-07-17
WEIGHT: 3.41g		SCALE: 2:1		SIZE: A4	VIEW:
SHEET 1 OF 1		UNIT: mm	REV.: A/0	OBJECT: MY	TITLE: BS-2477-2 DIP PART NO.: BS-24-A1AJ009 DRAW NO.:MY-CP-0036

## X-ON Electronics

Largest Supplier of Electrical and Electronic Components

*Click to view similar products for [Coin Cell Battery Holders](#) category:*

*Click to view products by [Kingham](#) manufacturer:*

Other Similar products are found below :

[PDSN-11-D](#) [799-2007](#) [BH44AAB](#) [BH48DL](#) [BH8000](#) [MY-2430-01-R](#) [BS-16-B4AA006-R](#) [KH-CR1220-2](#) [BH-18650-A1AJ006](#) [BS-02-A1BK007](#) [BH-18650-A1AJ005](#) [BS-12-B3AA009-R](#) [BS-02-A1AK010-X](#) [BS-02-A1AJ010](#) [BS-03-A1AJ001](#) [MY-FJ-131-J-R](#) [MY-FJ-04-J-R](#) [BS-08-B2AA025](#) [BS-24-A1AJ017](#) [BH-18650-A5BJ001-2D](#) [BS-12-A1AJ002-Z](#) [BS-08-B2AA032](#) [MY-2032-04-R](#) [BS-12-B3AA011-R](#) [BS-621-B4AA001-R](#) [MY-ZJ-110](#) [MY-FJ-127-R](#) [BS-06-B4AA002-R](#) [MY-1220-04](#) [BH-AAA-A1AJ001](#) [BS-12-B3AA003-T](#) [MY-FJ-115II-R](#) [BS-06-B4AK001-R](#) [BH-18650-B1BA007](#) [MY-FJ-115II](#) [BH-AAA-B5AA001](#) [BE-13-017](#) [MY-2477-01](#) [BS-12-B3AA013](#) [BC-25-5PD-300](#) [BS-08-B2AA016-R](#) [MY-AAA-22-J](#) [MY-AA-14-J](#) [MY-AAA-24-J](#) [MY-2032-28](#) [BS-06-A4BK016](#) [MY-FJ-01](#) [MY-1025-01](#) [MY-AA-5355-J](#) [BS-05-A1BJ018](#)