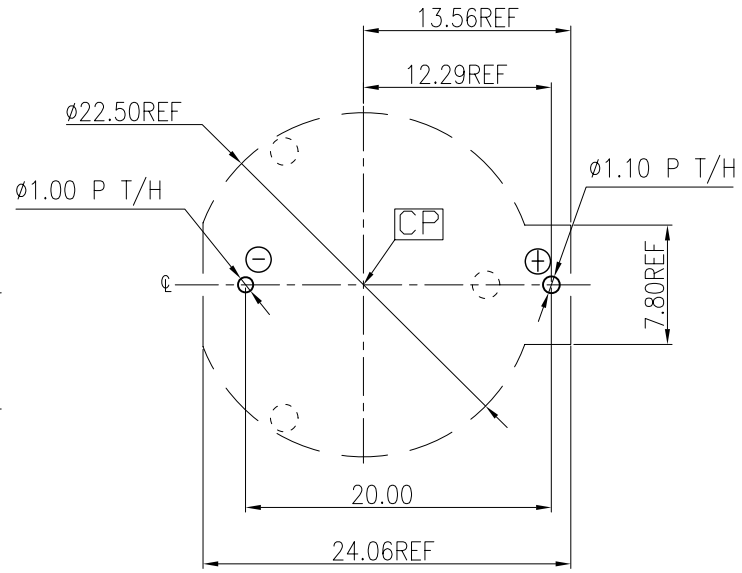
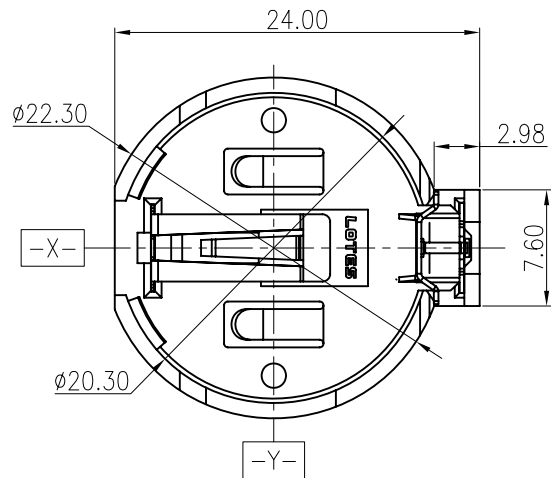
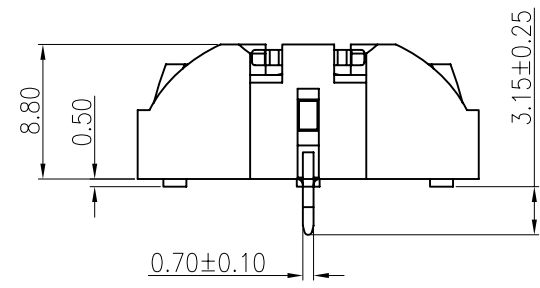
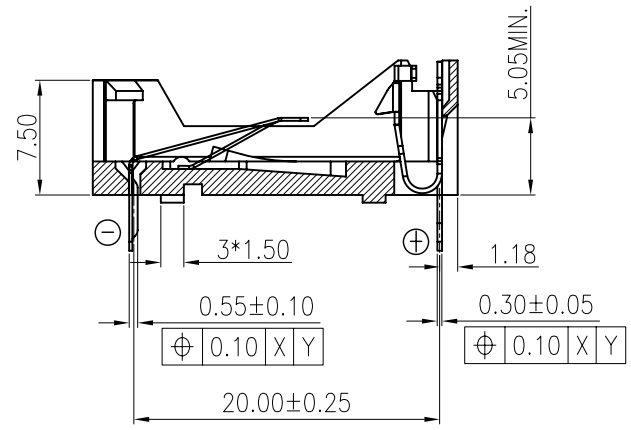


REV.	ECN NO./DESCRIPTION	DATE
3	N090508	8/28'09
4	N100254	5/26'10
5	N100509	10/23'10

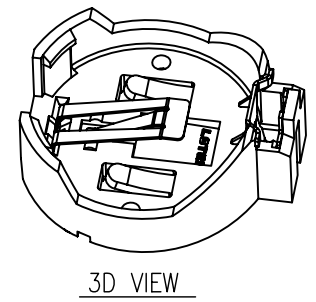


RECOMMENDED PCB LAYOUT(TOP VIEW)
(PCB THICKNESS:T=1.60mm)(TOLERANCE:±0.05)

NOTES:
1.MATERIAL SPECIFICATION,
1-1.HOUSING:PBT_BLACK;UL94V-0.
1-2.CONTACTS:BRASS.
2.PLATING SPECIFICATION:
Ni50u" UNDERPLATING,MATTE TIN100u" ON THE SOLDER TAIL.
3.ELECTRICAL PERFORMANCE:
LLCR:30mΩ MAX.
INSULATION RESISTANCE:1000MΩ MIN.
DIELECTRIC WITHSTANDING:1000V AC
4.THE REFER SOLDERING CONDITIONS:
WAVE SOLDER:CONNECTOR MOUNTED ON THE PCB,THE TEMPERATURE OF THE SOLDER SHALL BE 260±5°C FOR 10±1SECONDS.
5.RoHS COMPLIANT.
6.PRODUCT NUMBER NOTE:
AAA-BAT-029-K01



BOARD TO CONNECTOR
CONNERTOR



GENERAL TOLERANCES UNLESS SPECIFIED		深圳市金航标电子有限公司 www.kinghelm.com.cn	
.X± 0.35	X°± 3°	KH-BS-9 0755-28190160	
.XX± 0.25	X°± 2°	APPROVED BY	TITLE
.XXX± 0.15	.XX°± 1°	JACK_FAN 10/23'10	BATTERY HOLDER FOR CR2032
CUSTOMER DRAWING		CHECKED BY	DWG NO.
		ZHANGYUSHENG 10/23'10	GAP-AAA-BAT-029
SIZE	UNITS	DRAWN BY	SHEET
A4	MM[INCH]	TANGHUI 10/23'10	1 / 1
		SCALE	REV
		1:1	5

X-ON Electronics

Largest Supplier of Electrical and Electronic Components

Click to view similar products for [Coin Cell Battery Holders](#) category:

Click to view products by [Kingham](#) manufacturer:

Other Similar products are found below :

[PDSN-11-D](#) [799-2007](#) [BH44AAB](#) [BH48DL](#) [BH8000](#) [MY-2430-01-R](#) [BS-16-B4AA006-R](#) [KH-CR1220-2](#) [BH-18650-A1AJ006](#) [BS-02-A1BK007](#) [BH-18650-A1AJ005](#) [BS-12-B3AA009-R](#) [BS-02-A1AK010-X](#) [BS-02-A1AJ010](#) [BS-03-A1AJ001](#) [MY-FJ-131-J-R](#) [MY-FJ-04-J-R](#) [BS-08-B2AA025](#) [BS-24-A1AJ017](#) [BH-18650-A5BJ001-2D](#) [BS-12-A1AJ002-Z](#) [BS-08-B2AA032](#) [MY-2032-04-R](#) [BS-12-B3AA011-R](#) [BS-621-B4AA001-R](#) [MY-ZJ-110](#) [MY-FJ-127-R](#) [BS-06-B4AA002-R](#) [MY-1220-04](#) [BH-AAA-A1AJ001](#) [BS-12-B3AA003-T](#) [MY-FJ-115II-R](#) [BS-06-B4AK001-R](#) [BH-18650-B1BA007](#) [MY-FJ-115II](#) [BH-AAA-B5AA001](#) [BE-13-017](#) [MY-2477-01](#) [BS-12-B3AA013](#) [BC-25-5PD-300](#) [BS-08-B2AA016-R](#) [MY-AAA-22-J](#) [MY-AA-14-J](#) [MY-AAA-24-J](#) [MY-2032-28](#) [BS-06-A4BK016](#) [MY-FJ-01](#) [MY-1025-01](#) [MY-AA-5355-J](#) [BS-05-A1BJ018](#)