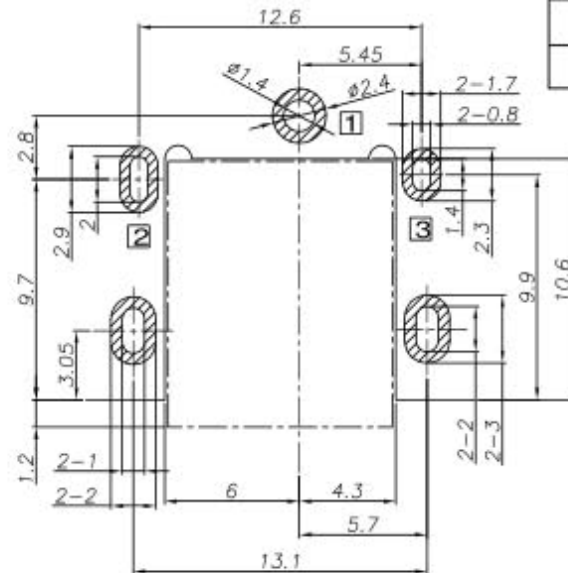
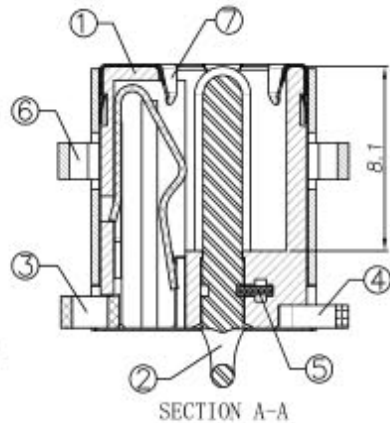
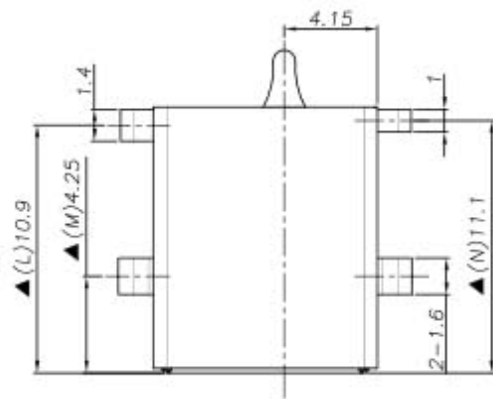
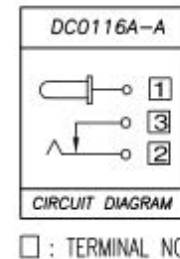
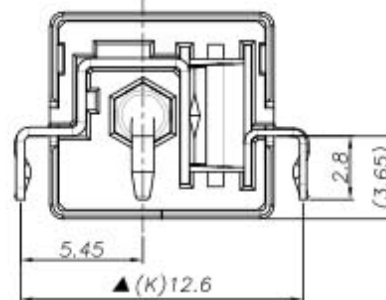
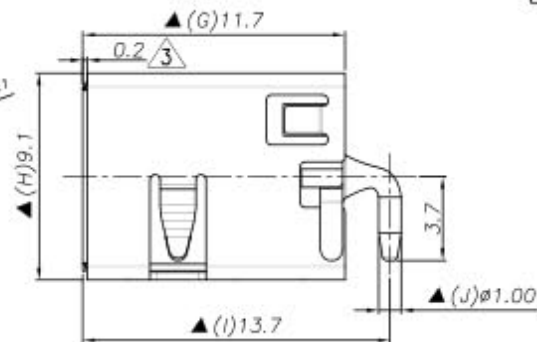
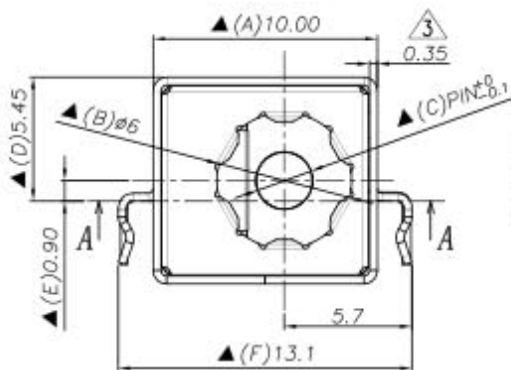


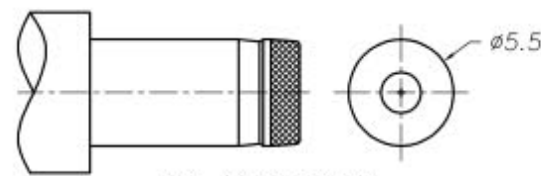
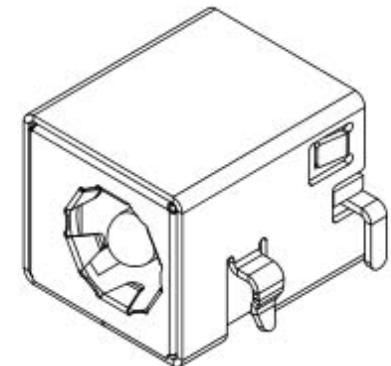
REV. LTR.	DESCRIPTION	SIGN	DATE
3	Add dimensions	赖积任	2012.03.21



RECOMMENDED P.C.B. LAYOUT  
UNSPECIFIED TOLERANCE:  $\pm 0.05$   
(COPPER-SIDED VIEW)



Ordering information:  
DC 0116A - A    0A S  1  
(1) (2) (3) (4) (5) (6) (7) (8) (9)  
(1): Series type: DC=DC POWER JACK  
(2): Series No.  
(3): Schematic option: A  
(4): Center pin diameter:  
G=1.65, H=2.0, J=2.5  
(5): Material of housing:  
9T=PA9T (Standard), 10=PA10T  
(6): Housing color: 0A=Black  
(7): Terminal plating: S=Silver (Ag)  
(8): Special option:  
0=No special option  
H=Housing is Halogen Free.  
(9): Packing mode: 1=Reel packing



DC MATE PLUG

### SPECIFICATION

- Rating : DC 20V 7A;
- Contact resistance:  $\leq 30m\Omega$ ,  
After life test:  $\leq 50m\Omega$ ;
- Insulation resistance:  $\geq 100M\Omega$  (DC500V),  
After life test:  $\geq 50M\Omega$ ;
- Withstand voltage: 500VAC ;
- Insertion and extraction force: 3-30N;
- Life test: 5,000 cycles;
- Operation temperature range:  $-20^{\circ}C \sim 70^{\circ}C$ ;
- Preservative temperature range:  $-40^{\circ}C \sim 85^{\circ}C$ ;
- Sign "▲" is importance dimension.

Model No.	DC0116A-_G	DC0116A-_H	DC0116A-_J
PIN	1.65	2.0	2.5

7	Ground terminal	1	Stainless steel, t0.1	DC0116A-E1	
6	Shield	1	Brass, t0.35	DC01160-W1	Nickel plating
5	Terminal	1	Brass, t0.4	DC01160-04	
4	Shunt terminal	3	Brass, t0.4	DC01160-03	Silver plating
3	Tip spring	2	Phosphor bronze, t0.3	DC01160-02	Silver plating
2	Center pin	1	Zinc alloy	DC01160-99G/H/J	Nickel plating
1	Housing	1	PA9T, PA10T UL94V-0	DC0116A-S1	Black

NO.	DESCRIPTION	QTY	MATERIAL	PART NO.	RMARK
UNIT:MM		TYPE:		MODEL NO:	
PAPER NO: A4		PAGE 1 OF 1			
TOLERANCE		ANGLES		SCALE	
±0.3		±2'		FULL	
VER		3			

DESIGNER BY:	赖积任 2012-03-22	深圳市金航标电子有限公司	WWW.BDS666.COM
CHECK BY:	张松强 2012-03-22		
APPROVED BY:	贺志平 2012-03-22		
		KH-DC-090-2.0	0755-83044319

## X-ON Electronics

Largest Supplier of Electrical and Electronic Components

*Click to view similar products for [DC Power Connectors](#) category:*

*Click to view products by [Kinghelm](#) manufacturer:*

Other Similar products are found below :

[163-0308-EX](#) [163-4012-EX](#) [163-4117-EX](#) [163-MJ22-EX](#) [171-0721-EX](#) [KLDX-SMT-0202-BPTR](#) [163-0179-EX](#) [163-4015-EX](#) [171-0722-E](#)  
[K596](#) [KLD-0201-BC](#) [4C6831AX](#) [LCB60PW-M](#) [LCB30PW-M](#) [LCB60PB-M](#) [LCC30PB-M](#) [LCB50PW-M](#) [LCB50-M](#) [LCB60-F](#) [LCC30-M](#)  
[LCB40PW-M](#) [LCC30PW-M](#) [LCB50-F](#) [LCB40-F](#) [LCC40-M](#) [LCC40PB-M](#) [LCB40PB-M](#) [LCC40-F](#) [LCB60-M](#) [LCC40PW-M](#) [LCB50PB-M](#)  
[513820200](#) [DC-S014A-D025-20A](#) [DC007B-2.5-J](#) [DC005-2.5](#) [DC005-2.5-T](#) [DC-S019A-D025-10A](#) [DC007B-2.0](#) [DC-018-2.5A-2.5](#) [DC-005-](#)  
[A25](#) [DC-005-A20](#) [DC-002-100](#) [DC-031A-130](#) [DC-031A-100](#) [DC-003A-130](#) [DC-045-130](#) [DC-192-130](#) [DC-033-130](#) [DC-011-100](#) [DC-002F-](#)  
[130](#)