

产品规格书

PRODUCT SPECIFICATION

Customer:

Customer's part number: KH-DW-K580-WZ

Product description: BD + GPS Antenna

Uni Link's part number: MS-BD+GPS-3

Issue Date: 2018-12-30

Note: 1575.42 / 1561MHz, SMA male , RG174 3m

Application and Features

Applications :

- 1: 1575.42 / 1561Mhz System
- 2: Global Positioning System
- 3: Vehicle fixing position

Features :

- 1: Weight is light
- 2: RHCP Polarization
- 3: RoHS compliant

INDEX

- 1、 PRODUCT TECHNICAL SPECIFICATION
- 2、 PRODUCT PICTURE
- 3、 PRODUCT SPECIFICATION CHART
- 4、 MECHANICAL CHARACTERISTICS
- 5、 DURABILITY
- 6、 PATCH TEST CURVE
- 7、 LAN TEST CURVE

1、PRODUCT TECHNICAL SPECIFICATION

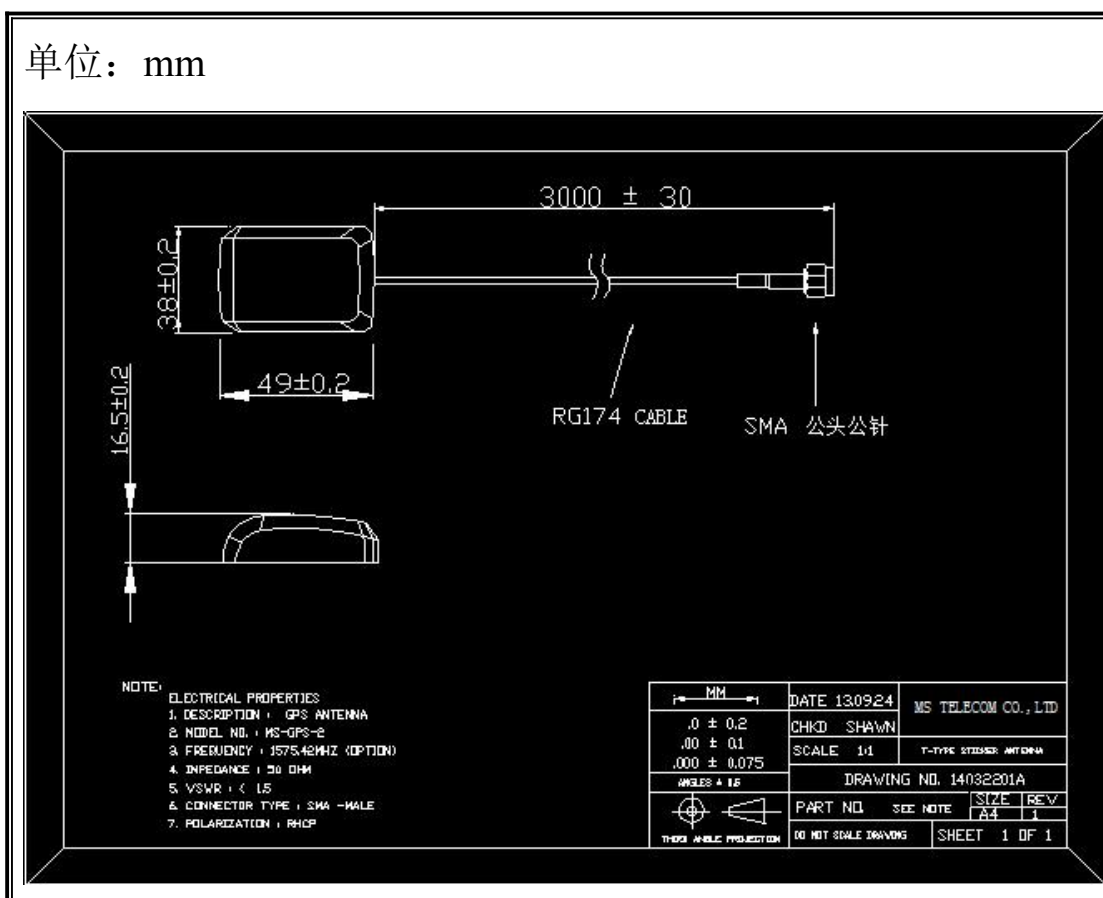
Electrical Specifications	
Frequency Range (MHz)	1575.42 ± 2 / 1561 ± 2
Bandwidth (MHz)	4
Noise Figure (Typical)	1.5(+25°C±10°C)
DC current (Typical)	9.5mA(At 3.0V)
Input Impedance (Ω)	50
V.S.W.R	≤ 2.0
Gain (dBi)	28
Max Input Power (w)	5
Mechanical Specifications	
Antenna Dimension-mm (mm)	49*38
Connect Type	SMA male
Input Voltage (V)	3-5
Work Temperature °C	-40- +80
Pole Diameter-mm	Φ 40-50
Cable length-mm	3000 + / - 30
Weight (g)	90

2、PRODUCT PICTURE



3、PRODUCT SPECIFICATION CHART.

单位: mm



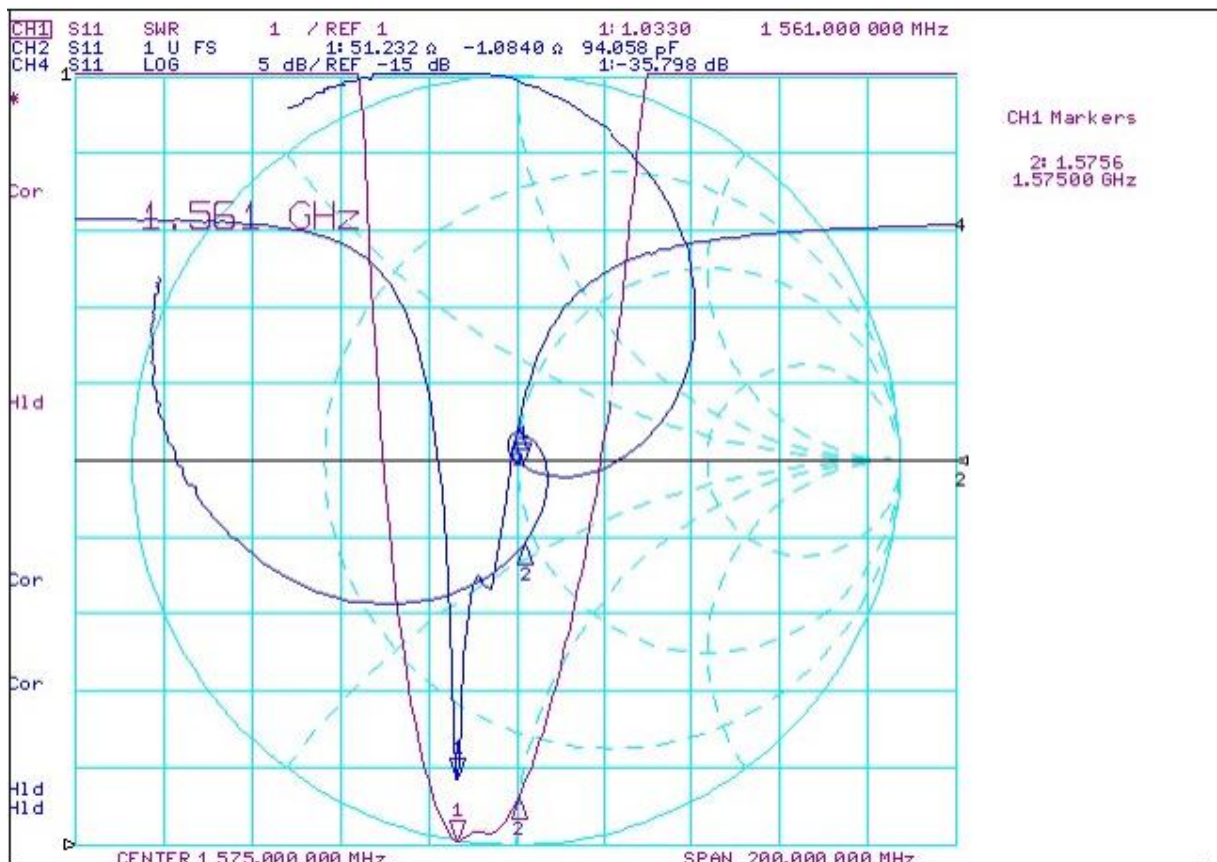
4、MECHANICAL CHARACTERISTICS)

1	BENDING TEST	Put load 120g to 30cm cable from the end of the connector, fixed joints, swaying test at an angle of 60 degrees , test features after 1000 times	after 1000 times test no visible damage
2	STRENG TEST	Put 15pounds static load to the end of the cable continue 1 minute	After test no visible damage
3	VIBRATION TEST	the X-axis direction for 120 minutes, and the Y-axis direction 120 minutes, the Z-axis direction 240 minutes as vibration testing of 1.1mm amplitude and 33.30Hz/sec of frequency	After test no visible damage

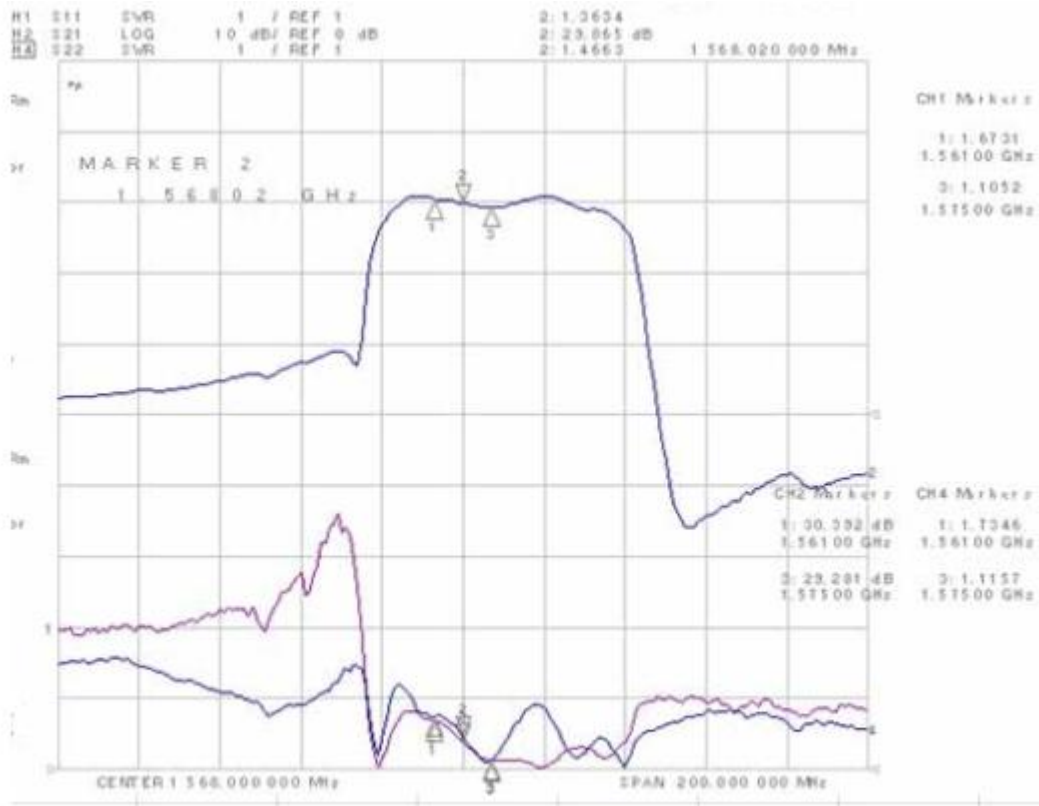
5、DURABILITY

1	HEAT TEST	85+2 °C for 24 hours, after keep in normal condition for 30min the to test.	All characteristic range is 30% of the initial value
2	HUMIDITY TEST	40+2 °C 90-95%RH for 24hours, after keep in normal condition for 30min the to test.	
3	COLD TEST	-40+2 °C for 24hours, after keep in normal condition for 30min the to test.	

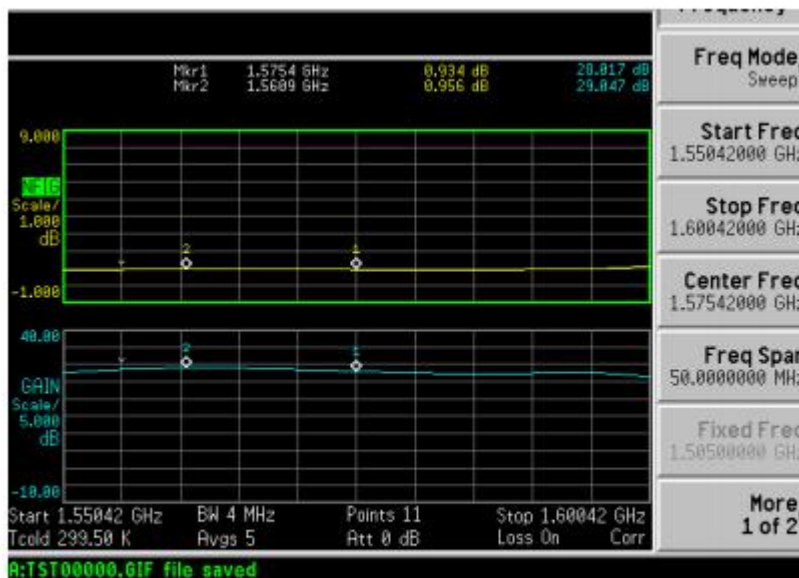
6、Patch Test Curve



7、LAN Test Curve



Gain Figure :S21=29dB



Noise Figure:N=0.95

X-ON Electronics

Largest Supplier of Electrical and Electronic Components

Click to view similar products for [GPS Development Tools](#) category:

Click to view products by [Kinghelm](#) manufacturer:

Other Similar products are found below :

[SKY65725-11EK1](#) [SKY65728-11EK1](#) [PIM525](#) [1059](#) [1090](#) [1272](#) [MDEV-GNSS-TM](#) [MDEV-GNSS-GM](#) [10-597880-081](#) [3133](#) [MIKROE-2670](#) [MAX2769CEVKIT#](#) [M20048-EVB-1](#) [OM-UE-GPS](#) [LFMISC070550Bulk](#) [M20050-EVB-1](#) [GPS-14030](#) [GPS-14414](#) [ASD2501-R](#) [SIM808](#) [746](#) [10-597160-28D](#) [10-597979-1505](#) [2324](#) [4279](#) [4415](#) [M10578-A2-U1](#) [M10578-A3-U1](#) [AS-RTK2B-F9P-L1L2-NH-02](#) [AS-RTK2B-LIT-L1L2-SMA-00](#) [AS-STARTKIT-BASIC-L1L2-NH-02](#) [AS-STARTKIT-LITE-L1L2-HS-00](#) [AS-STARTKIT-LR-L1L2-EUNH-00](#) [AS-STARTKIT-LR-L1L2-NANH-00](#) [AS-STARTKIT-MCPIE-L1L2-0-00](#) [AS-STARTKIT-MR-L1L2-NH-00](#) [MC20CA-04-STD](#) [BC95-B8](#) [SIM800L](#) [EC20CEHCLG](#) [MINIPCIE-C](#) [SIM7600CE-PCIE](#) [ATGM332D-5N31](#) [ATGM332D-5N11](#) [ECC133151EU](#) [SIM7600CE-L](#) [BC28](#) [BC26](#) [KH1GPC-01](#) [WH-GM35-S-EVK](#) [RA1801.002](#)