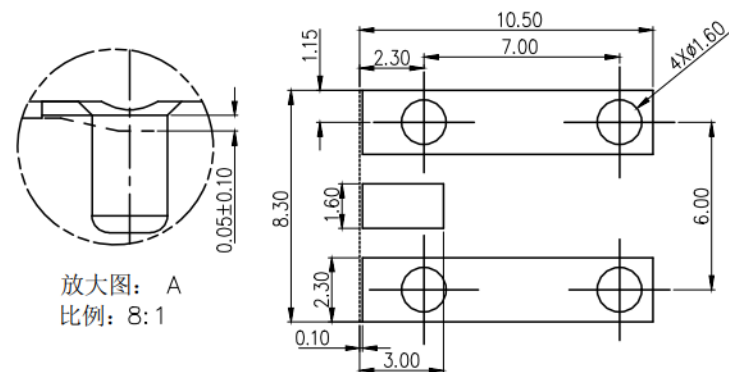
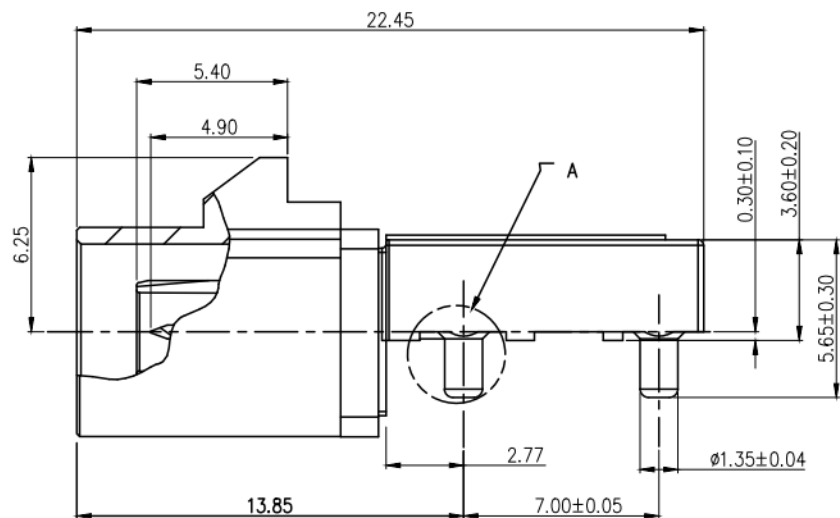
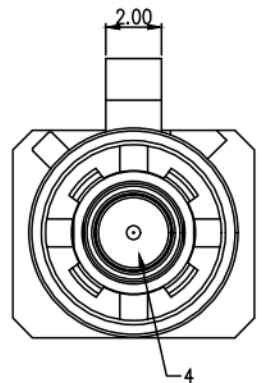


MARK	DATE	DESCRIPTION	DESIGN
A	2020.05.06	PROPOSAL	CHEN



放大图: A
比例: 8:1

1. PART NO. LEGEND: PCB ALL TOLERANCE ± 0.05

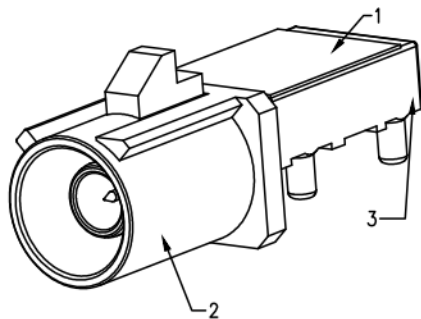
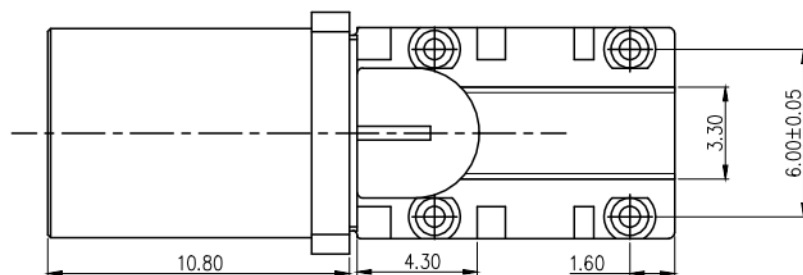
7.03A0 .000 8 9 X

TYPE

CONTACT AREA PLATING SPEC: GOLD PLATING: 8=30u"
SOLDER AREA PLATING SPEC: Tin PLATING: 8=80u"

2. PERFORMANCE:

- 2.1: CONTACT RESISTANCE: INITIAL VALUE 50mOHM Max,
- 2.2: FREQUENCY RANGE: DC to 6GHz
- 2.3 VSWR: 0-6GHz 1.60Max
- 2.4 VOLTAGE RATING: 50V (AC/DC).
- 2.5: CURRENT RATING: 1A/PIN.
- 2.6: INSULATION RESISTANCE: 100MOHM Min.
- 2.7: MATING CYCLES: 25 TIMES Min.
- 2.8: OPERATING TEMPERATURE: $-40^{\circ}\text{C} \sim +105^{\circ}\text{C}$



NO.	COMPONENTS	MATERIALS	FINISH/COLOR	SPECIFICATION	QUANTITY
4	MOLDING	THERMOPLASTIC+BRASS	BLACK+PLATING GOLD		1
3	BODY	ZINC ALLOY	PLATING Sn		1
2	HOUSING	THERMOPLASTIC UL94V-0	ACCORDANCE WITH THE REQUIREMENTS		1
1	MAYLAR	KAPTON			1

NOTE: ALL RIGHTS RESERVED, BANNED COPY!

UNLESS OTHERWISE SPECIFIED TOLERANCE			
ANG	TOL	DIM	TOL
.X	$\pm 3.0^{\circ}$.X	± 0.30
.XX	$\pm 2.0^{\circ}$.XX	± 0.20
.XXX	$\pm 1.0^{\circ}$.XXX	± 0.10

深圳市金航标电子有限公司

www.kinghelm.com.cn

KH-FAKRA-I-CB

0755-28190160

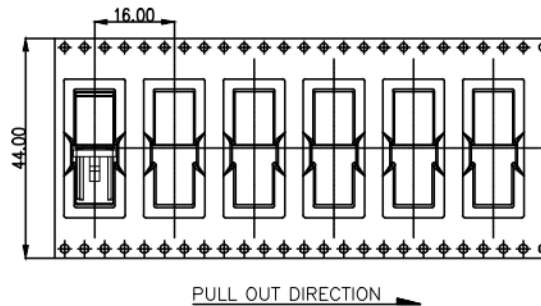
APPROVED	VERIFIED	DRAWING NO	PART NAME:	FAKRA LOW PROFILE CONNECTOR CUSTOMER DRAWING			
		7.03A0-C	PART NO.	7.03A0.00089X			
DESIGN	CHEN	DATE	UNITS	SCALE	PAGE	REV	
		2020.05.06	mm	4:1	1/2	A	

DRAWING TYPE

CUSTOMER DRAWING

MARK	DATE	DESCRIPTION	DESIGN
A	2020.05.06	PROPOSAL	CHEN

KH-FAKRA-A-CB	KH-FAKRA-B-CB	KH-FAKRA-C-CB	KH-FAKRA-D-CB	KH-FAKRA-E-CB	KH-FAKRA-F-CB	KH-FAKRA-G-CB	KH-FAKRA-H-CB	KH-FAKRA-I-CB	KH-FAKRA-K-CB
KH-FAKRA-L-CB	KH-FAKRA-M-CB	KH-FAKRA-N-CB	KH-FAKRA-Z-CB						



NOTE:
1.PER REEL: 400PCS

NOTE: ALL RIGHTS RESERVED,BANNED COPY!

UNLESS OTHERWISE SPECIFIED TOLERANCE			
ANG	TOL	DIM	TOL
.X	±3.0°	.X	±0.30
.XX	±2.0°	.XX	±0.20
.XXX	±1.0°	.XXX	±0.10

深圳市金航标电子有限公司

www.kinghelm.com.cn

KH-FAKRA-I-CB

0755-28190160

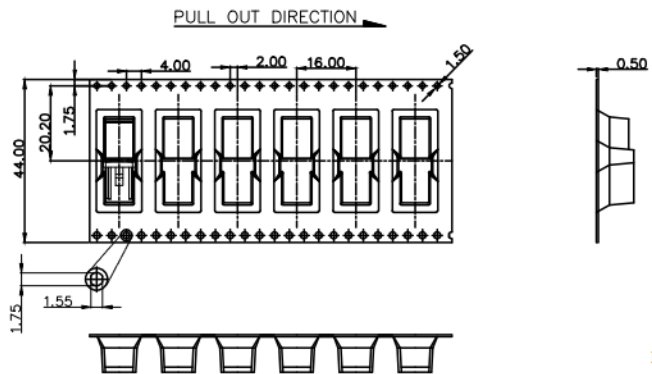
	DRAWING NO	PART NAME:	FAKRA LOW PROFILE CONNECTOR CUSTOMER DRAWING				
	7.03A0-C	PART NO.	7.03A0.00089X				
APPROVED	VERIFIED	DESIGN	DATE	UNITS	SCALE	PAGE	REV
		CHEN	2020.05.06	mm	4:1	2/2	A

DRAWING TYPE PACKAGE DRAWING

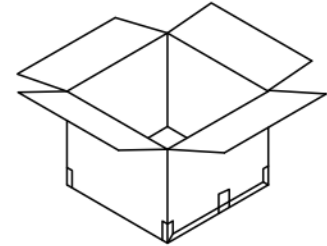
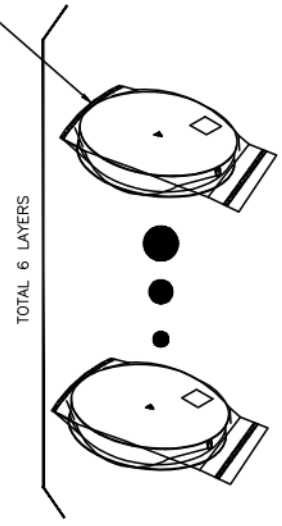
MARK	DATE	DESCRIPTION	DESIGN
A	2020.05.06	PROPOSAL	CHEN

NOTES:

- MATERIAL:
 - CARRY TAPE:HIPS,T=0.50±0.05mm,BLACK
 - REEL:HIPS,
 - SHIM:PE,CLEAR.
- PRIMARY PACKING:400PCS/REEL.
- SECONDARY PACKING:SEE PACKING LIST
- PEELING RESISTANCE: 0.2~1.2N(20~120gf); PEELING ANGLE: 165°~180°; PEELING SPEED: 300mm/minutes.

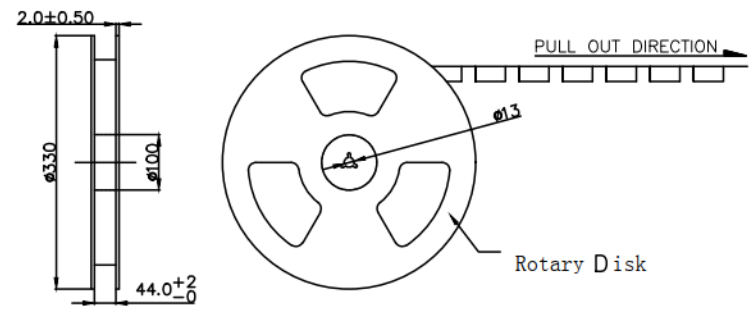
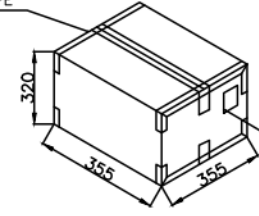


PER REEL with PE Bag

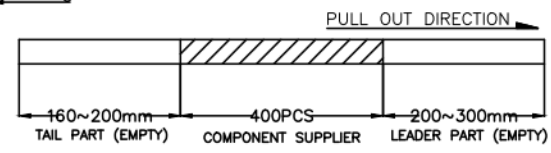


6 REEL PER CARTON
Total 2400 PCS

TRANSPARENT GULE TAPE



Rotary Disk



深圳市金航标电子有限公司		www.kinghelm.com.cn			
KH-FAKRA-I-CB		0755-28190160			
UNLESS OTHERWISE SPECIFIED TOLERANCE		DRAWING NO	PART NAME: FAKRA LOW PROFILE CONNECTOR PACKING DRAWING		
		7.03A0-P	PART NO. 7.03A0.00089X		
ANG	TOL	DIM	TOL	DATE	UNITS
.X	±3.0°	.X	±0.20	2020.05.06	mm
.XX	±2.0°	.XX	±0.10	SCALE	PAGE
.XXX	±1.0°	.XXX	±0.05	1:1	1/1
APPROVED		DESIGN	REV		
		CHEN	A		

NOTE: ALL RIGHTS RESERVED,BANNED COPY!

X-ON Electronics

Largest Supplier of Electrical and Electronic Components

Click to view similar products for [RF Connectors / Coaxial Connectors](#) category:

Click to view products by [Kinghelm](#) manufacturer:

Other Similar products are found below :

[8915-1511-000](#) [89674-0827](#) [6002-7051-003](#) [6059674-1](#) [630059-000](#) [M39030/3-01N](#) [6501-1071-002](#) [6769](#) [7002-1572-002](#) [7003-1542-011](#)
[7003-1572-002](#) [7004-1512-000](#) [7009-1511-004](#) [7101-1541-010](#) [7105-1521-002](#) [7145-1521-002](#) [7203-1571-003](#) [7209-1511-011](#) [7210-1511-](#)
[040](#) [7242-1511-000](#) [73216-2241](#) [73404-2300](#) [7405-1521-005](#) [7405-1521-802](#) [8527](#) [8547](#) [FS11V](#) [8808-1511-001](#) [9074-9513-000](#) [PL11C-](#)
[026](#) [PL71-9](#) [PL74C-221](#) [9408-1113-000](#) [980-8666-005](#) [1200690078](#) [1-201144-1](#) [120919](#) [R107003010W](#) [R112186000](#) [R113053000W](#)
[R113082097](#) [R113236000](#) [R113240000](#) [R113240097](#) [R114083000](#) [R114670000W](#) [R123415000W](#) [R124072220W](#) [R124076320](#)
[R124076450](#)