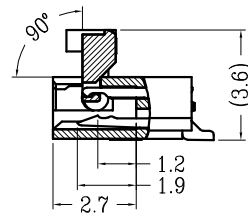
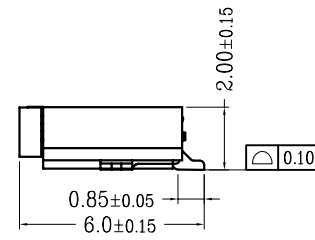
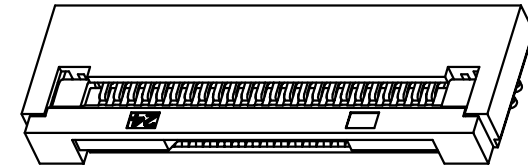
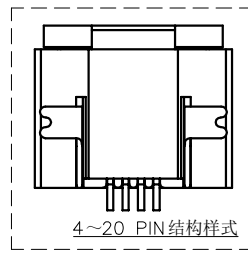
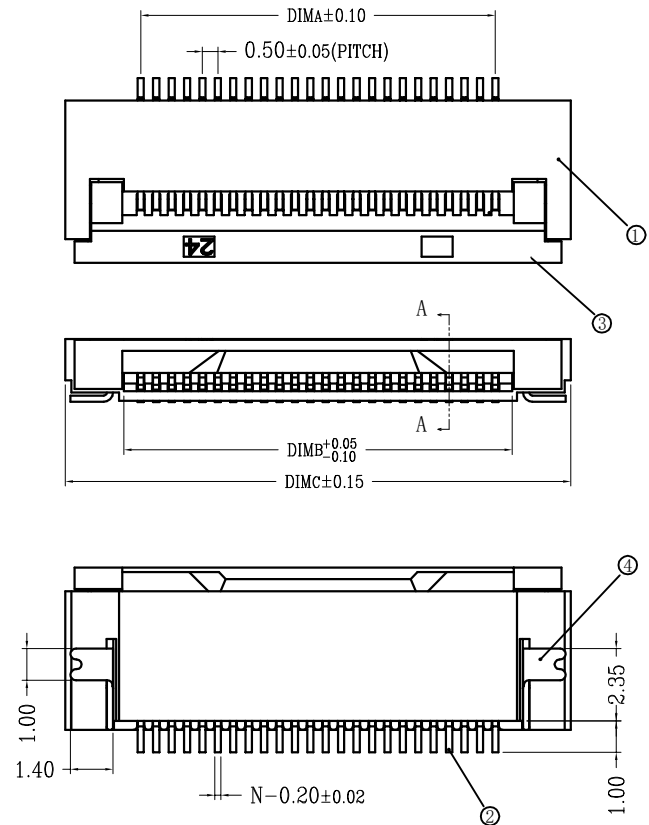
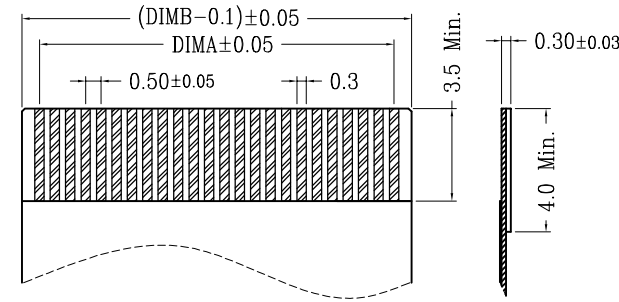


| 版次(Edition) | 变更摘要(Change The Content) | 日期(Date)   |
|-------------|--------------------------|------------|
| 1           | 增加料号说明                   | 2015/1/28  |
| 2           | 电镀方式由全金升级为点镀金            | 2021/12/02 |

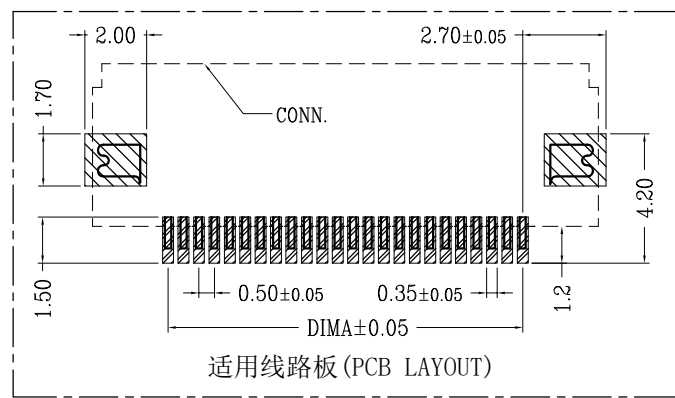
| 序号(NO.) | 品名(Name)   | 材质(Material)                             |
|---------|--|--|
| ①       | 0.5掀盖胶芯(H=2.0)<br>0.5 Pitch Easy-on<br>Type Housing (H=2.0)      | LCP UL94V-0 本色<br>Natural                |
| ②       | 0.5掀盖端子(H=2.0)<br>0.5 Pitch Easy-on<br>Type Terminal (H=2.0)     | 铜合金/表面镀锡<br>Copper Alloy/<br>Tin Plating |
| ③       | 0.5掀盖后盖(H=2.0)<br>0.5 Pitch Easy-on<br>Type Actuator (H=2.0)     | LCP UL94V-0 黑色<br>Black                  |
| ④       | 0.5掀盖焊片(H=2.0)<br>0.5 Pitch Easy-on Type<br>Fitting Nail (H=2.0) | 铜合金/表面镀锡<br>Copper Alloy/<br>Tin Plating |



SECTION A-A



适用扁平线(Applicable Flat Cable)



| CKT | DIMA  | DIMB  | DIMC  | CKT | DIMA  | DIMB  | DIMC  |
|-----|-------|-------|-------|-----|-------|-------|-------|
| 4   | 1.50  | 2.60  | 6.40  | 34  | 16.50 | 17.60 | 21.40 |
| 5   | 2.00  | 3.10  | 6.90  | 35  | 17.00 | 18.10 | 21.90 |
| 6   | 2.50  | 3.60  | 7.40  | 36  | 17.50 | 18.60 | 22.40 |
| 7   | 3.00  | 4.10  | 7.90  | 37  | 18.00 | 19.10 | 22.90 |
| 8   | 3.50  | 4.60  | 8.40  | 38  | 18.50 | 19.60 | 23.40 |
| 9   | 4.00  | 5.10  | 8.90  | 39  | 19.00 | 20.10 | 23.90 |
| 10  | 4.50  | 5.60  | 9.40  | 40  | 19.50 | 20.60 | 24.40 |
| 11  | 5.00  | 6.10  | 9.90  | 41  | 20.00 | 21.10 | 24.90 |
| 12  | 5.50  | 6.60  | 10.40 | 42  | 20.50 | 21.60 | 25.40 |
| 13  | 6.00  | 7.10  | 10.90 | 43  | 21.00 | 22.10 | 25.90 |
| 14  | 6.50  | 7.60  | 11.40 | 44  | 21.50 | 22.60 | 26.40 |
| 15  | 7.00  | 8.10  | 11.90 | 45  | 22.00 | 23.10 | 26.90 |
| 16  | 7.50  | 8.60  | 12.40 | 46  | 22.50 | 23.60 | 27.40 |
| 17  | 8.00  | 9.10  | 12.90 | 47  | 23.00 | 24.10 | 27.90 |
| 18  | 8.50  | 9.60  | 13.40 | 48  | 23.50 | 24.60 | 28.40 |
| 19  | 9.00  | 10.10 | 13.90 | 49  | 24.00 | 25.10 | 28.90 |
| 20  | 9.50  | 10.60 | 14.40 | 50  | 24.50 | 25.60 | 29.40 |
| 21  | 10.00 | 11.10 | 14.90 | 51  | 25.00 | 26.10 | 29.90 |
| 22  | 10.50 | 11.60 | 15.40 | 52  | 25.50 | 26.60 | 30.40 |
| 23  | 11.00 | 12.10 | 15.90 | 53  | 26.00 | 27.10 | 30.90 |
| 24  | 11.50 | 12.60 | 16.40 | 54  | 26.50 | 27.60 | 31.40 |
| 25  | 12.00 | 13.10 | 16.90 | 55  | 27.00 | 28.10 | 31.90 |
| 26  | 12.50 | 13.60 | 17.40 | 56  | 27.50 | 28.60 | 32.40 |
| 27  | 13.00 | 14.10 | 17.90 | 57  | 28.00 | 29.10 | 32.90 |
| 28  | 13.50 | 14.60 | 18.40 | 58  | 28.50 | 29.60 | 33.40 |
| 29  | 14.00 | 15.10 | 18.90 | 59  | 29.00 | 30.10 | 33.90 |
| 30  | 14.50 | 15.60 | 19.40 | 60  | 29.50 | 30.60 | 34.40 |
| 31  | 15.00 | 16.10 | 19.90 | 61  | 30.00 | 31.10 | 34.90 |
| 32  | 15.50 | 16.60 | 20.40 | 64  | 31.50 | 32.60 | 36.40 |
| 33  | 16.00 | 17.10 | 20.90 | 65  | 32.00 | 33.10 | 36.90 |

技术指标(Technical Index):

1. 塑件表面应光洁、无毛边、无明显收缩、缺陷、裂纹等现象。(The surface of the plastic parts should be smooth, no rough edges, no obvious shrinkage, defects, cracks and other phenomena.)
2. 温度范围(Temperature range): -25° C~85° C.
3. 额定电压(Rated voltage): 50V, AC/DC(=等效).
4. 接触电阻(Contact resistance): ≤0.03 Ω.
5. 绝缘电阻(Insulation resistance): ≥500M Ω.
6. 产品料号(Product material No.):



一般公差(TOLERANCE)  
 X ±.50 .XX ±.10  
 X ±.20 .XXX ±.05  
 ANGLES ±1°

深圳市金航标电子有限公司 www.kinghel.m.com.cn

KH-FG0.5-H2.0-29P-SMT 0755-28190160

|            |  |           |        |
|------------|--|-----------|--------|
| 品名(TITLE)  | 0.5 Pitch掀盖卧式下接(H=2.0)<br>0.5 Pitch H2.0 Easy-on R/A Down Type CONN. | 制图(DR)    | Anlan  |
| 料号(DWG.NO) | XW05202-****-**  | 校对(CHKC)  | 李绍宗    |
| 比例(SCALE)  | 1:1  | 审核(APPD)  | 黄志明    |
| 单位(UNITS)  | mm   | 张数(SHEET) | 1 OF 1 |
|            |  | 尺寸(SIZE)  | A4     |
|            |  | REV       | A      |

## X-ON Electronics

Largest Supplier of Electrical and Electronic Components

*Click to view similar products for [FFC & FPC Connectors](#) category:*

*Click to view products by [Kinghelm](#) manufacturer:*

Other Similar products are found below :

[00-6200-227-022-800](#) [006205250500825+](#) [006205280500825+](#) [FPH-1602G](#) [086222026001800](#) [52610-0675](#) [62674-201121DLF](#) [52746-1671-TR250](#) [10051922-1610EHLF](#) [10051922-2810EHLF](#) [686322124422](#) [XF3M-2915-1B-R100](#) [AYF353125A](#) [AYF530665TA](#) [AYF534065TA](#) [20FLH-RSM1-TB](#) [207356-1](#) [SFW12R-5STE9LF](#) [SFW18R-1STAE9LF](#) [SFW4R-5STE9LF](#) [52807-0430](#) [046283021002868+](#) [FFC05011-10SBB114W5M](#) [502250-8027](#) [67000-008LF](#) [200528-0260](#) [FH28K-10S-0.5SH](#) [FH52K-6S-0.5SH](#) [0.5K-DX-30PWB](#) [DS1020-08-10VBT12](#) [THD0515-34CL-GF](#) [X05A10L28G](#) [ECC2841061EU](#) [1.0K-DHQX-16PWB](#) [1.0K-DHQX-30PWB](#) [1775333-6](#) [10054365-202110ELF](#) [10054365-242110ELF](#) [10054365-282110ELF](#) [10064555-392220HLF](#) [59453-041110EBHLF](#) [59453-091110EDHLF](#) [62674-241141ALF](#) [62684-432100ALF](#) [62684-451100AHLF](#) [62684-5721N0ALF](#) [HFW11R-1STE1MTLF](#) [HFW12R-1STE9LF](#) [HFW14R-1STE9MTLF](#) [HFW18S-2STE9LF](#)