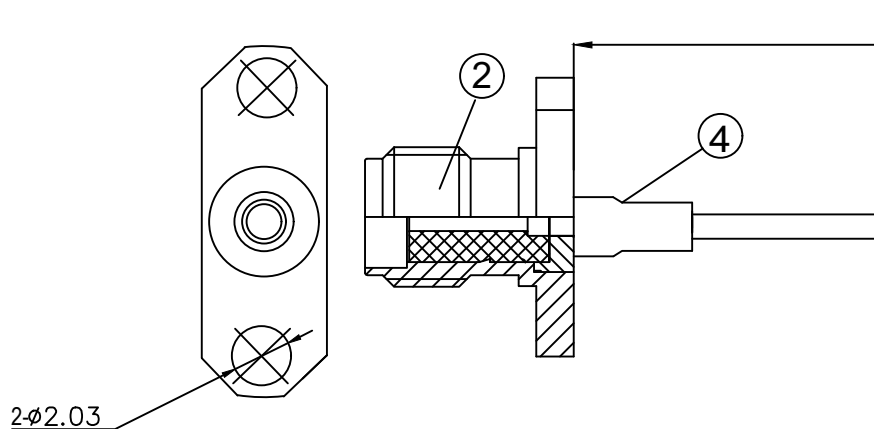


REVISIONS					
REV	NUMBER	DESCRIPTION	DWN	CHK	DATE
A		DESIGN			



一代端子

- NOTES:
- ELECTRICAL:
    - VOLTAGE RATING:DCV 300V 10MS
    - CONDUCTANCE RESISTANCE: 3.0 OHM/MAX.
    - INSULATION RESISTANCE: 5.0M OHM/MIN.
    - THE CABLE SHOULD BE 100% ELECTRICAL TEST

ITEM NO.	PART NUMBER	DESCRIPTION	QTY.
④	套管	黑色热缩套管, OD:2.5MM	AS
③	端子	高仿I-PEX ,一代端子, 镀金	1
②	接头	SMA母头母针, 2孔法兰, 镀金, 外螺纹内孔	1
①	同轴线	RF178cable, 棕色同轴线, OD:1.78mm	AS

深圳市金航标电子有限公司 [www.kinghelm.com.cn](http://www.kinghelm.com.cn)  
 SHENZHEN KINGHELM ELECTRON CO., LTD. 0755-28190160

ALL DIMENSION ARE IN MM	DRAWN	Jamy	DATE	2023-08-18	KH-FL2SMAK-IPEX-RG178-100
	ENG.				
COMPUTER GENERATED IN SOLIDWORKS	MFG.				
DO NOT SCALE THIS DRAWING	Q.A.				
PROJECTION	GENERAL TOLERANCE FOR ANGLES		X.X X.XX X.XXX		SIZE
	± 1° ± 0.3 ± 0.25 ± 0.150				Number
CUSTOMER P/N:					REV
					A
					SCALE: Free
					TYPE
					SHEET 1 OF 1

## X-ON Electronics

Largest Supplier of Electrical and Electronic Components

*Click to view similar products for [Antenna Accessories](#) category:*

*Click to view products by [Kinghelm](#) manufacturer:*

Other Similar products are found below :

[HKIT-MTA9101-001](#) [YMST4](#) [NMOHPCN518](#) [MB830](#) [MB825](#) [MB820](#) [GRO](#) [W9909](#) [HKIT-MTA9100-001](#) [MABT8UM9](#) [HKIT-LPx-001](#)  
[GPS-17519](#) [MABT8M](#) [KH-IPEX3-0.81](#) [HJ-IPEX1-1.13-SMA-L=100mm](#) [3C0224M01-003](#) [KHA\(RG1.37\)-TX300B-IPEX](#) [KHA\(RG1.37\)-TX80B-IPEX](#) [KHA\(RG1.37\)-TX140B-IPEX](#) [KH-IPEXA-SMAKWE-B060H](#) [KHA\(RG1.37\)-TX90B-IPEX](#) [KH-SMAKW-IPEX4-RG1.13-B300](#) [KH-SMAKW-IPEX4-RG0.81-B90](#) [KH-SMAKW-IPEX4-RG1.37-B80](#) [KH-SMAKW-IPEX4-RG1.37-B160](#) [KH-SMAKW-IPEX-RG0.81-B70](#) [KH-SMAKW-IPEX-RG0.81-B140](#) [KHA-\(RG1.13\)-TX120-IPEX-221](#) [KHA\(RG1.37\)-TX70B-IPEX](#) [KH-SMAKW-IPEX-RG1.78-250](#) [KH-SMAKW-IPEX4-RG0.81-B200](#) [KH-SMAKW-IPEX4-RG1.13-B70](#) [KH-SMAKW-IPEX4-RG1.37-B90](#) [KH-SMAJ-221-RG1.78-160](#) [KH-SMAJ-IPEX-RG1.37-B70](#) [KH-SMAJ-IPEX-RG1.37-B60](#) [KH-FL2SMAK-IPEX3-RG0.81-B160](#) [KH-FL2SMAK-IPEX4-RG0.81-B100](#) [KH-FL2SMAK-IPEX-RG1.13-B70](#) [KH-FL2SMAK-IPEX4-RG1.13-B90](#) [KH-FL2SMAK-IPEX-RG1.37-B60](#) [KH-FL2SMAK-IPEX-RG1.37-B120](#) [KH-FL2SMAK-IPEX4-RG1.37-B80](#) [KH-FL2SMAK-IPEX4-RG1.37-B160](#) [KH-FL2SMAK-IPEX-RG178-100](#) [KH-FL2SMAK-IPEX-RG178-200](#) [KH-SMAJ-221-RG1.13-B70](#) [KH-SMAJ-221-RG1.37-B90](#) [KH-FL2SMAK-IPEX-RG0.81-B50](#) [KH-FL2SMAK-IPEX3-RG0.81-B300](#)