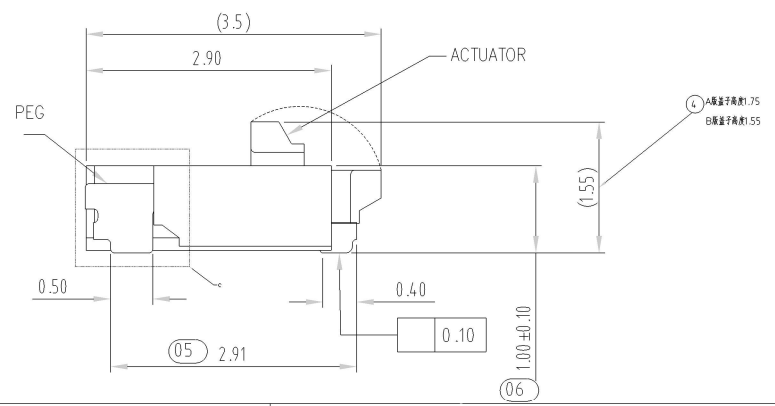
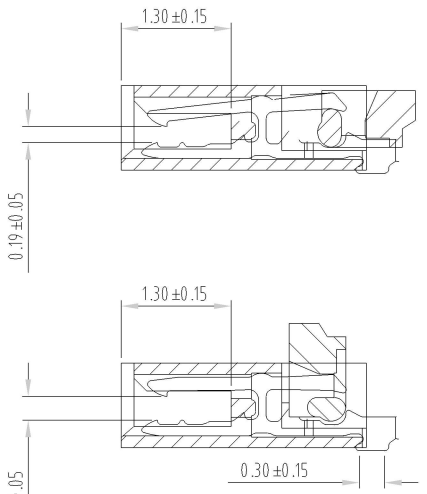
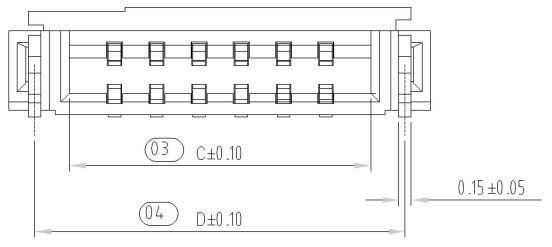
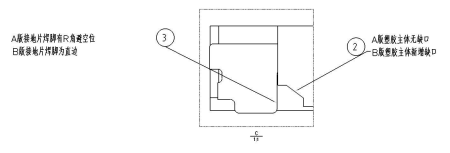
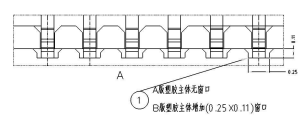


NOTE:

1. MATERIAL:
 HOUSING: LCP (UL94 V-0), COLOR: NATURAL.
 CONTACTS: COPPER ALLOY.
 PEG: COPPER ALLOY.
 ACTUATOR: LCP (UL94-V0), COLOR:BLACK


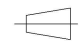
2. RATING:
 OPERATING VOLTAGE: 50Vrms AC.
 CURRENT RATING: 0.5A.
 OPERATING TEMPERATURE: -55° C~+85° C.
 OPERATING HUMIDITY RANGE: RELATIVE HUMIDITY 90% MAX.(NO CONDENSATION)
 STORAGE TEMPERATURE RANGE: -10° C~+50° C.
 STORAGE HUMIDITY RANGE: RELATIVE HUMIDITY 90% MAX.(NO CONDENSATION)

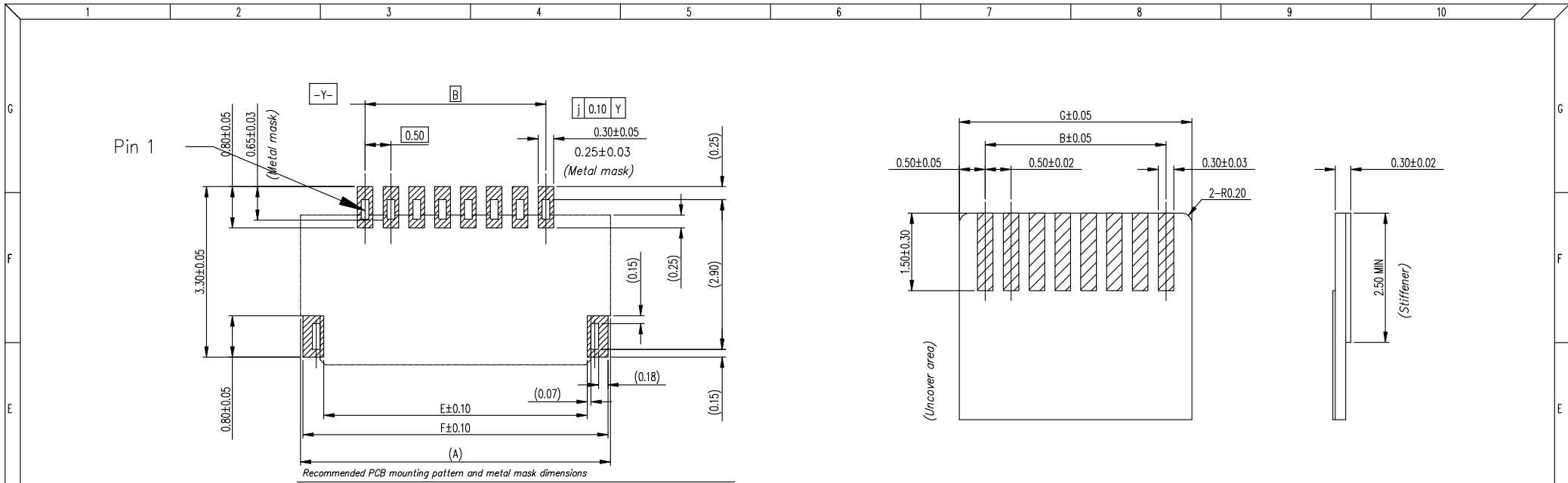
3. Pater Number:
 带 (xx) 为重点管控尺寸



本产品符合 RoHS SONY00259 OHF 其它
 ※禁止使用本公司所禁用有毒物质

B	① 塑胶主体增加(0.25x0.11)窗口	2021051001	liupeng	2021/5/10
	② 塑胶主体槽宽增加			
A	③ 塑胶片开槽(开槽宽度)	liupeng		
	④ 端子高度1.75及1.55	ECN.NO	BY	DATE
REV	DESCRIPTION	ECN.NO	BY	DATE

- TOLERANCES - UNLESS OTHERWISE SPECIFIED		深圳市金航标电子有限公司 KH-FPC0.5-H1.0SMT-24P-QCHF		www.kinghelm.com.cn 0755-28190160	
公差参考表		 		TITLE: FPC 0.5Pitch 1.0H 2IF 产品名稱: R/A Connector	
X.X	:±0.30	X.X°	:±5°	APPD: 核准:	DWG NO: 产品料號: FP242AH-0XXG10M
X.XX	:±0.20	X.XX°	:±2°	CHECK: 校對:	DATE
X.XXX	:±0.10	X.XXX°	:±1°	DRAW: 繪圖: LIUPENG	SCALE
				20111209	UNIT
				1:1	PAGE
				rmm	1/2



Recommended PCB mounting pattern and metal mask dimensions

Recommended metal mask thickness: $t=0.1$

Recommended FPC/FFC Dimensions

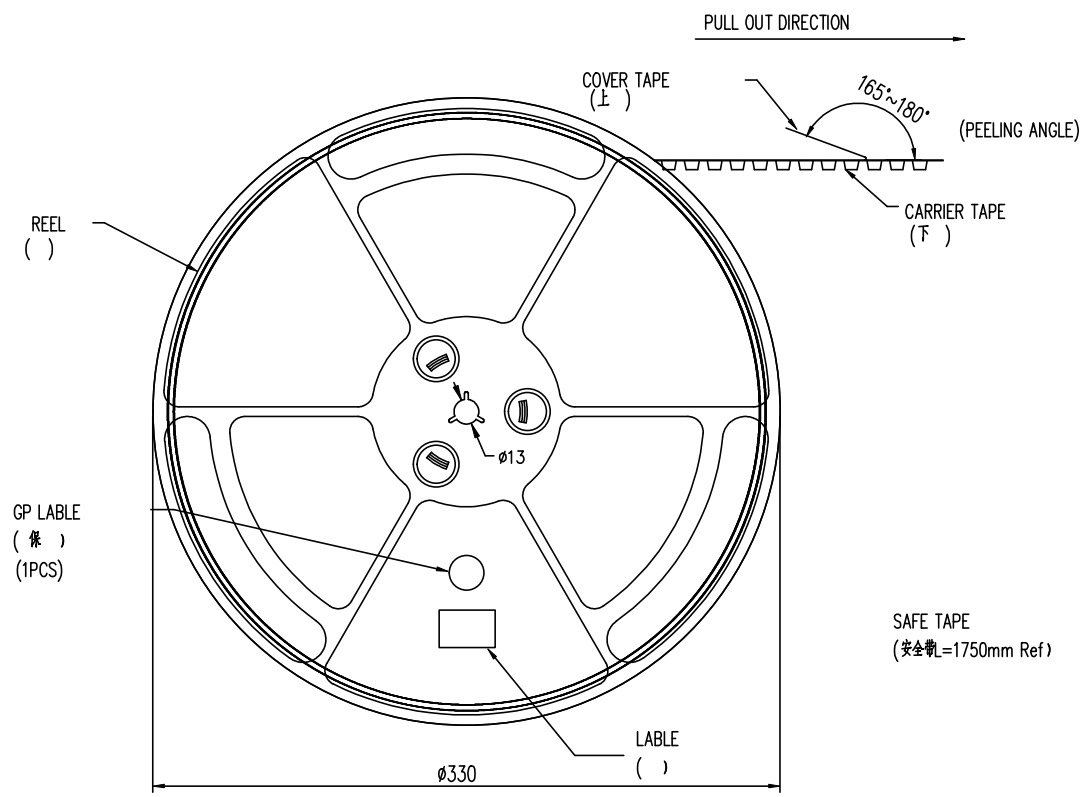
50	27.00	24.50	25.57	26.39	26.10	26.90	25.50
45	24.50	22.00	23.07	23.89	23.60	24.40	23.00
40	22.00	19.50	20.57	21.39	21.10	21.90	20.50
34	19.00	16.50	17.57	18.39	18.10	18.90	17.50
32	18.00	15.50	16.57	17.39	17.10	17.90	16.50
30	17.00	14.50	15.57	16.39	16.10	16.90	15.50
28	16.00	13.50	14.57	15.39	15.10	15.90	14.50
26	15.00	12.50	13.57	14.39	14.10	14.90	13.50
24	14.00	11.50	12.57	13.39	13.10	13.90	12.50
22	13.00	10.50	11.57	12.39	12.10	12.90	11.50
20	12.00	9.50	10.57	11.39	11.10	11.90	10.50
18	11.00	8.50	9.57	10.39	10.10	10.90	9.50
16	10.00	7.50	8.57	9.39	9.10	9.90	8.50
14	9.00	6.50	7.57	8.39	8.10	8.90	7.50
12	8.00	5.50	6.57	7.39	7.10	7.90	6.50
11	7.50	5.00	6.07	6.89	6.60	7.40	6.00
10	7.00	4.50	5.57	6.39	6.10	6.90	5.50
8	6.00	3.50	4.57	5.39	5.10	5.90	4.50
7	5.50	3.00	4.07	4.89	4.60	5.40	4.00
6	5.00	2.50	3.57	4.39	4.10	4.90	3.50
5	4.5	2.00	3.07	3.89	3.60	4.50	3.00
4	4.00	1.50	2.57	3.39	3.10	3.90	2.50
Number of Contacts	DIM A	DIM B	DIM C	DIM D	DIM E	DIM F	DIM G

本产品符合 RoHS 符合 SONY00259 符合 HF 其它
 *禁止使用本公司所禁用有毒物质

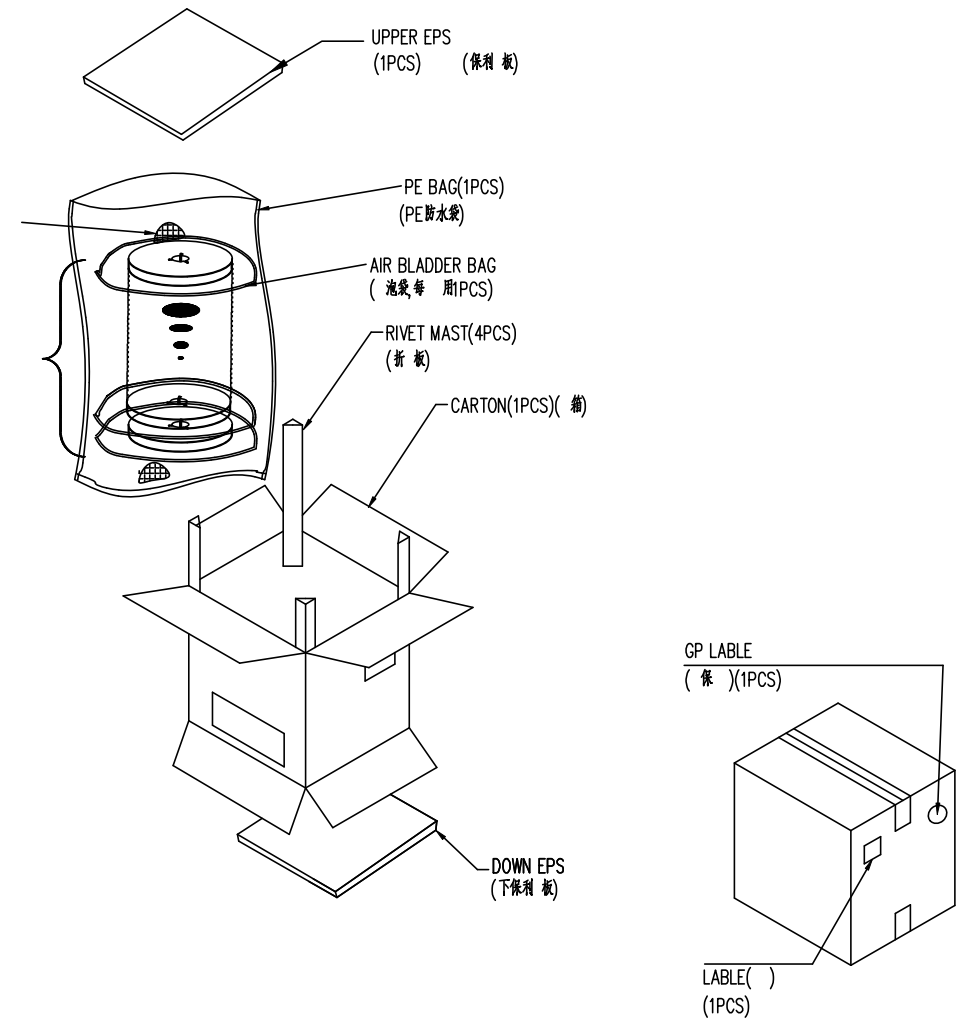
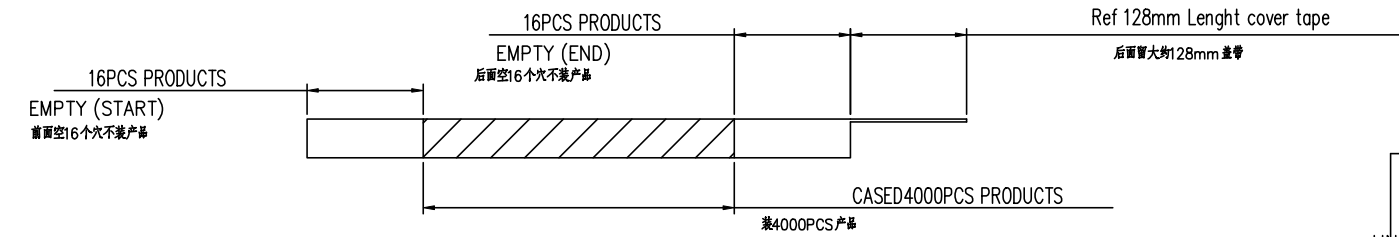
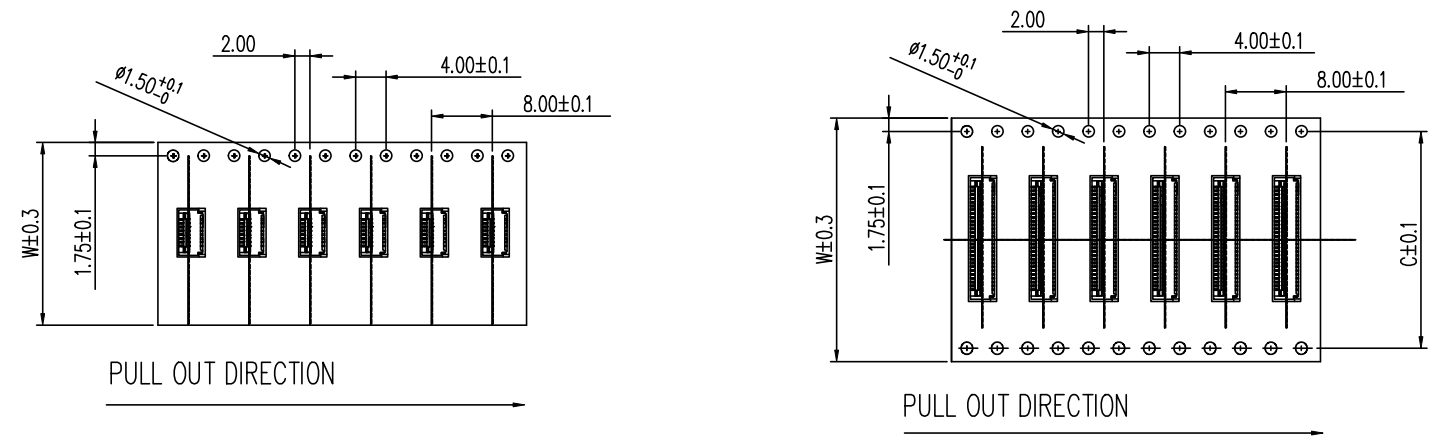
B	盖子高度由1.75改为1.55MM	2021051001	liupeng	2021/5/10
A	NEW DRAWING		liupeng	
REV	DESCRIPTION	ECN.NO	BY	DATE

- TOLERANCES - UNLESS OTHERWISE SPECIFIED 公差 参考		深圳市金航标电子有限公司 www.kinghelm.com.cn KH-FPC0.5-H1.0SMT-24P-QCHF 0755-28190160				
				TITLE: FPC 0.5Pitch 1.0H ZIF 品名: R/A Connector		
X.X : ±0.30	X.X* : ±5°	APPD: 核准:	DWG NO: 品料: FP242AH-0XXG10M			
X.XX : ±0.20	X.XX* : ±2°	CHECK: 校:	DATE	SCALE	UNIT	PAGE
X.XXX : ±0.10	X.XXX* : ±1°	DRAW: :	20111209	1:1	mm	2/2
		LIU				

- NOTE:
- 1.10 Sprocket hole pitch cumulative tolerance ± 0.20 .
 2. Carrier camber is within 1mm in 100mm.
 3. Material: black conductive polystyrene alloy.
 4. Material Thickness: 0.3 ± 0.05 mm.
 5. All dimensions meet EIA-481-B requirements.
 6. 4000pcs Pef Reel.
 7. For tape width(dim W)16 and 24mm pilot holes are provided on one sides. For tape width(dim W)32, 44 and 56mm pilot holes are provided on both sides.



SCALE 1:4



DESICCANT(2 PCS) (3g/PCS)(干燥)

NUMBER REEL ()

PIN NO.	W	C	PCS /REEL	REEL/CARTON	SUM(PCS)
04PIN~14PIN	16	-	4000	14	56000
16PIN~24PIN	24	-	4000	10	40000
28PIN~39PIN	32	28.4	4000	8	32000
40Pin~50PIN	44	40.4	4000	6	24000

—TOLERANCES—
UNLESS OTHERWISE SPECIFIED
公差 考表

深圳市金航标电子有限公司 www.kinghelm.com.cn
KH-FPC0.5-H1.0SMT-24P-QCHF 0755-28190160

TITLE: 0.5mm Pitch FPC Connector
品名:

APPD: 核准:
CHECK: 校:
DRAW: LIU

DWG NO: FP242AH-0XXG10M
品料:

DATE	SCALE	UNIT	PAGE
	1:1	mm	1/1

A	New Drawing		LIU	02/27'13
REV	DESCRIPTION	ECN.NO	BY	DATE

本产品符合 RoHS 符合 SONY00259 符合 HF 其他
 *禁止使用本公司所禁用有毒物质

X-ON Electronics

Largest Supplier of Electrical and Electronic Components

Click to view similar products for [FFC & FPC Connectors](#) category:

Click to view products by [Kinghelm](#) manufacturer:

Other Similar products are found below :

[00-6200-227-022-800](#) [006205250500825+](#) [006205280500825+](#) [FPH-1602G](#) [52610-1275](#) [501864-3091-TR225](#) [086222026001800](#) [52610-0675](#) [62674-201121DLF](#) [62684-36210E9ALF](#) [52746-1671-TR250](#) [10051922-2810EHLF](#) [686322124422](#) [XF3M-2915-1B-R100](#) [AYF353125A](#) [AYF530665TA](#) [AYF534065TA](#) [20FLH-RSM1-TB](#) [AYF351525](#) [086212040340800+](#) [AYF530365TA](#) [67000-004LF](#) [006207341915000+](#) [207356-1](#) [67000-003LF](#) [HFW14R-2STE9LF](#) [SFW12R-5STE9LF](#) [SFW18R-1STAE9LF](#) [SFW4R-5STE9LF](#) [52807-0430](#) [046283021002868+](#) [502250-8027](#) [104267-9617](#) [66987-011LF](#) [HFW8S-2STAE1HLF](#) [67000-008LF](#) [HFW22R-2STE1H1LF](#) [0781271110](#) [0781272410](#) [0781272810](#) [5019511030](#) [FH28K-40S-0.5SH](#) [200528-0260](#) [5039084120](#) [503908-5120](#) [SFW20R-1STGE5LF](#) [FH12-18S-0.5SH](#) [686116183522](#) [686114183522](#) [502078-5362](#)