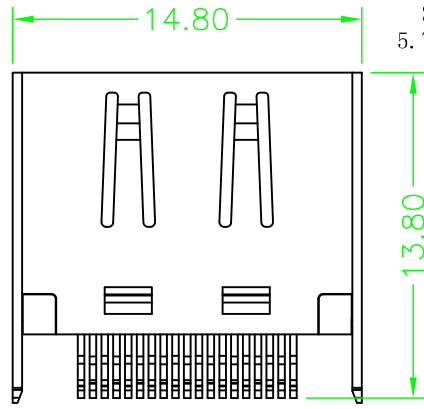
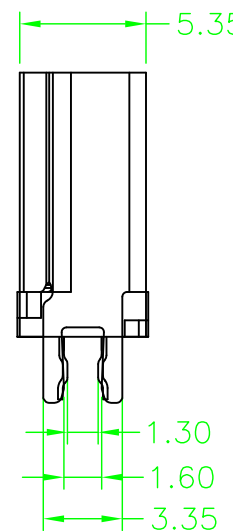
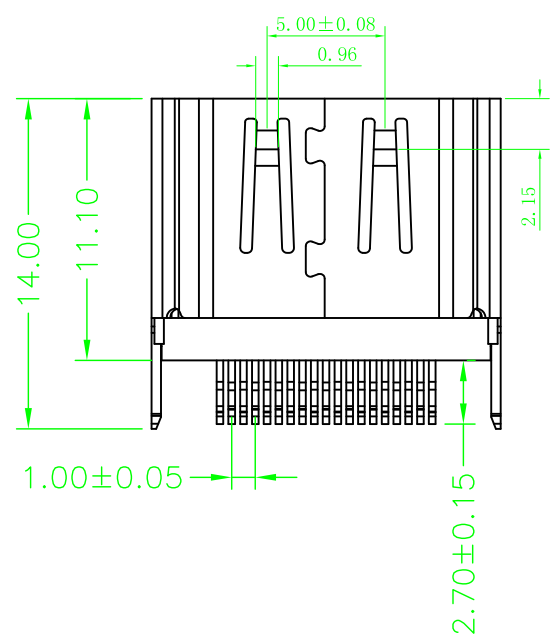
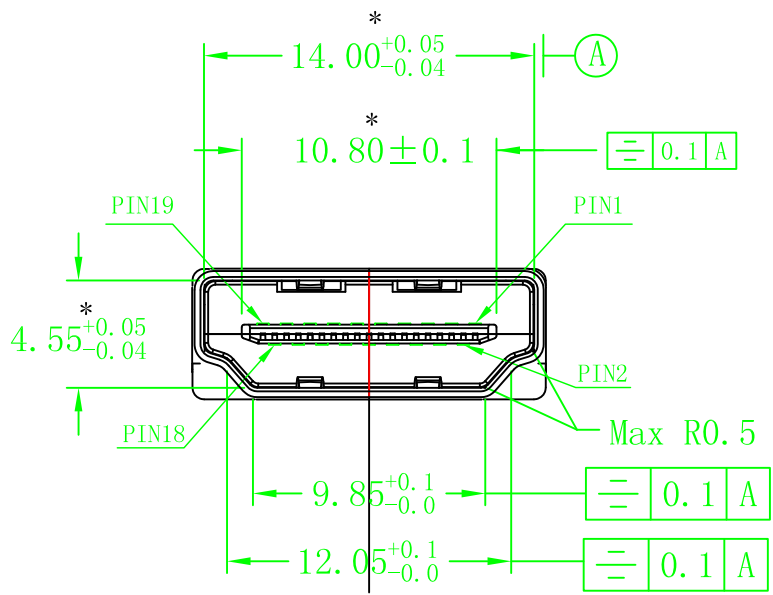


Rev	ECN NO	Content of the changes	Principal	Date
Rev				

SPECIFICATION

- Electrical characteristics
 - Contact Current Rating:0.5 A
 - Dielectric Withstanding Voltage:300V AC
 - Insulation Resistance:a. Mate 100MΩ MIN at 500V/DC
b. Unmate 10MΩ MIN at 150V/DC
 - Contact Resistance:30mΩ MAX
 - Temperature Range:-20° C to +85° C
- Mechanical
 - Mating Face:44.1N MAX
 - Unmating Face:9.8N MIN;39.2N MAX
 - Durability:10000 Cycles
- material:
 - HOUSING:THERMOPLASTICS HIGH TEMP LCP+GLASS
FIBER BLACK COLOR, UL94V-0
 - CONTACT:Copper Alloy , T=0.20MM
 - SHELL:Copper Alloy (SPCC) , T=0.50MM
- PLATING:
 - CONTACT:1~30u" GOLD/TIN PLATING ON CONTACT AREA
100u"MIN, TIN PLATING ON SOLDER TAILS
 - 50u"MIN, NICKEL UNDERPLATING OVER ALL
 - SHELL:80u" , NICKEL UNDERPLATING OVER ALL
- *Key control size



Did not indicate the tolerance list		Page/Size	1/1 A4	深圳市金航标电子有限公司		www.kinghel m.com.cn	
X.±0.20	X.'±3'	Unit	MM	KH-HDMI -0024-JBS		0755-28190160	
.X±0.10	.X'±2'	Rev	A1	Item NO	HDMI AF夹板式1.6mm 弯针L=2.7mm T=0.4mm		
.XX±0.05	.XX'±1'	Drawing		Part NO			
.XXX±0.02	.XXX'±0.5'	Checked		DWG NO			
Scale: 1:1		Approved					

X-ON Electronics

Largest Supplier of Electrical and Electronic Components

Click to view similar products for [HDMI, Displayport & DVI Connectors](#) category:

Click to view products by [Kinghelm](#) manufacturer:

Other Similar products are found below :

[30-528](#) [30-504](#) [33DVIR-24S1B](#) [47648-2000](#) [TC142X](#) [1932649-1](#) [HAGBH](#) [ABIBG](#) [AAIBH](#) [52355](#) [XHLJQ-00026](#) [HDMI-019R](#)
[G46M2013201AWEU](#) [ST-0277D00-052-142](#) [HC-PJ-320A-3P-D](#) [HC-PJ-3133-5P-D](#) [PJ-342](#) [141](#) [PJ-320A-4P DIP](#) [HC-PJ-325C-5P](#) [HC-PJ-320D-4P-S](#) [HC-PJ-3133-6P-S](#) [D-SUB-DR-9PCM-CB](#) [ST-0275S00-082-182](#) [HC-PJ-320A-4P-D](#) [HC-PJ-325A-5P](#) [HC-PJ-3134-6P-D](#) [HDR-HX-102DIP](#) [HDMI-GD-121PWB](#) [C2939191](#) [C2939584](#) [PJ-208](#) [PJ-2040](#) [PJ-3580A-6A](#) [PJ-399M](#) [PJ-328B-4B](#) [PJ-3930-7A](#) [PJ-615-5A](#) [PJ-332-6A](#) [KH-HDMI-0001](#) [KH-PJ-209-SMT](#) [KH-HDMI-0035-XK](#) [KH-PJ-328A-5P](#) [KH-PJ-322](#) [KH-PJ-327E-SMT](#) [KH-PJ-320A-5.6](#) [KH-HDR15P-F3.08](#) [KH-HDMI-0005A-SMT](#) [KH-HDMI-0021-JBS](#) [KH-HDMI-0002](#) [KH-PJ-234-4P-SMT](#)