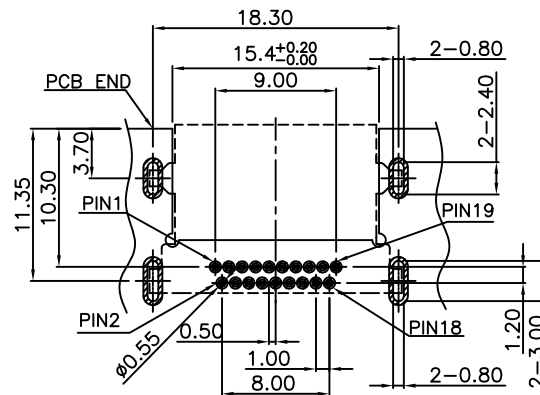
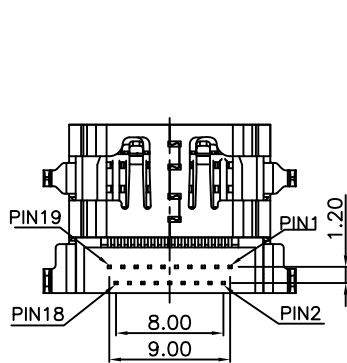
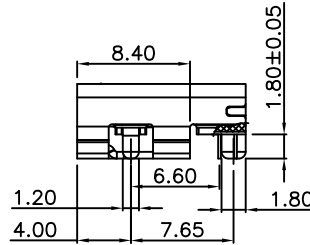
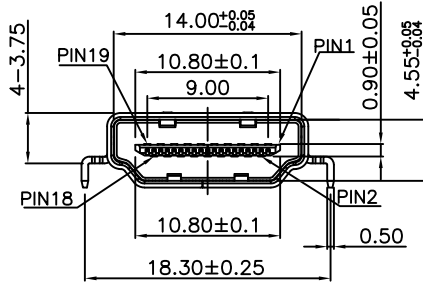
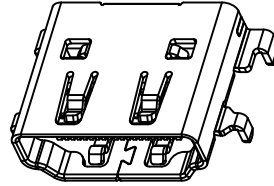
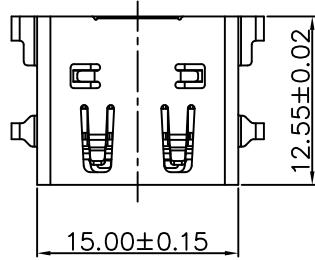


HDMI CONNECTOR FEMALE

REV.	ECN NO.	DESCRIPTION	DATE	DESIGN
A0		变更料号	2019.7.28	

SPECIFICATIONS:

- ELECTRICAL CHARACTERISTICS
 - CURRENT RATING: 0.5 AMP
 - VOLTAGE RATING: 40 V
 - CONTACT RESISTANCE: 30MILLIOHMS MAX
 - INSULATION RESISTANCE: 100M MIN. @ 500V DC
 - DIELECTRIC WITHSTANDING VOLTAGE: 500V AC FOR 1 MINUTE
- MECHANICAL CHARACTERISTICS:
 - INSERTION FORCE : 4.5KGF MAX.
 - WITHDRAWING FORCE : 1KGF ~ 4KGF.
- LIFE TEST: 10000 CYCLES
- OPERATING TEMPERATURE: -25°C TO +85°C
- PART NO. DESCRIPTION:



RECOMMEND PCB LAYOUT
TOLERANCE: ±0.05
TOP VIEW

C	SHELL	1	C2680R-H Ni T=0.5mm PLATING ALL OVER
B	TERMINAL	19	C2680R-H SEE PART NO.
A	HOUSING	1	LCP E130i UL94V-0 BLACK
NO	PART NAME	QTY	MATERIAL PLATING & COLOR
GENERAL DIMENSIONAL TOLERANCE		深圳市金航标电子有限公司	www.kinghelm.com.cn
.X =±0.35 .X' =±2.0'		KH-HDMI-0030	0755-28190160
.XX =±0.25 .X'' =±1.5'		D.R.	NAME:
.XXX=±0.15 .X'''=±1.0'		PACK 2019.7.28	HDMI正向沉板铜壳镀镍四脚四反向弹片
PROJECTION	UNIT	CH.K	壳面有耳 板上高3.75 针长1.8 半金亮锡1u"
	mm	JHON 2019.7.28	PART NO.
SIZE A4	SCALE 1:1	APV.D	JHON 2019.7.28
		FILE NO.	SHEET 1 OF 1 REV: A0

X-ON Electronics

Largest Supplier of Electrical and Electronic Components

Click to view similar products for [D-Sub Standard Connectors](#) category:

Click to view products by [Kinghelm](#) manufacturer:

Other Similar products are found below :

[015-0339-000](#) [015-0341-000](#) [015-0349-000](#) [015-0350-000](#) [015-8544-011](#) [015-8755-001](#) [017041-0005](#) [020419-0104](#) [609-25P](#) [609-9P](#)
[M24308/2-23Z](#) [CT0-24-10SC](#) [CT0-36-3PC](#) [CT0E20-8PS](#) [CT0F16S-1PS](#) [CT0TA16-11SXCA232](#) [CT1E20-19SS](#) [CT2-10SL-3SC](#) [CT2-14S-2PCA34](#) [CT2-18-11PCAU](#) [CT2-22-19SC](#) [CT2-36-5PC](#) [CT6-10SL-3SC](#) [CT6-10SL-4SC](#) [CT6-14S-2SC](#) [CT6-16-12SC](#) [CT6-18-10PSA206](#)
[CT6-18-10PSA232](#) [CT6-18-11PXSA206](#) [CT6-18-11PXSA232](#) [CT6-22-10PS](#) [CT6-24-5PC](#) [CT6-9767-18-8-18-4SS](#) [CT6E14S-5SC](#)
[CT6E14SA7SC](#) [CT6E20-14SS](#) [CT6E22-14PC](#) [CT6E22-14PS](#) [CT6E22-19PS](#) [CT6E22-22PS](#) [CT6E24-10SC](#) [CT6F16S-1SC](#) [CT6FA10SL-4PS](#)
[CT6LA20-19PC](#) [CT6M20-19SS](#) [CT6NSB4-20-8SS](#) [CT6TC14S-6SCAU](#) [CT6TC14S-7PS](#) [6STD15SCT99S40X](#) [6STF09PCM05B70X](#)