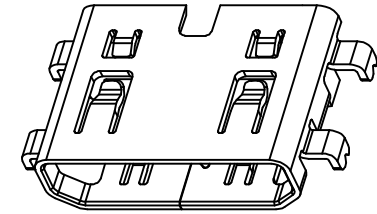
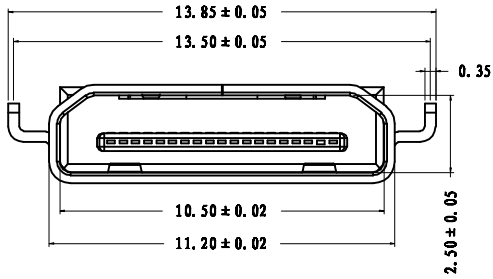
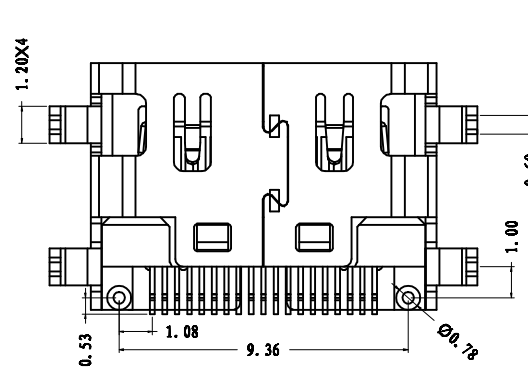
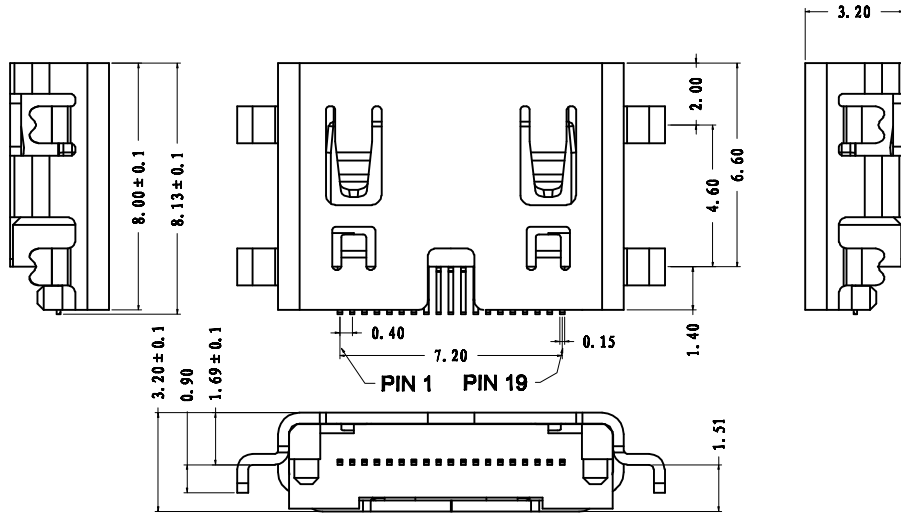


* 所有原料材质, 生产制程, 电镀必须符合ROHS要求

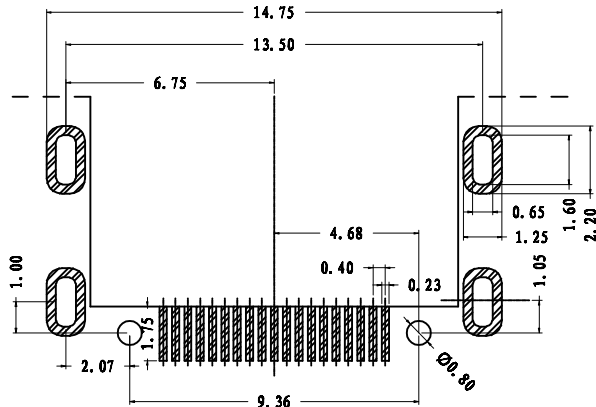


3D VIEW



SPECIFICATION:
 1.MATING FORCE:4.1N MAX
 2.UNMATING FORCE:7.25N
 3.DURABILITY: 5000 CYCLES MIN
 4.CURRENT:0.5A
 5.VOLTAGE:40V MAX
 6.WITHSTANDING VOLTAGE:500V AC MIN.(UNMATED)
 7.CONTACT RESISTANCE:30MΩ MAX.
 8.INSULATION RESISTANCE:100MΩ MIN.(UNMATED)
 9.OPERATING TEMPERATURE RANGE:-20.C TO +85.C
 10.ALL THE MATERIAL SHOULD COMPLY WITH THE ROHS REQUIREMENT.

Type C pin	Signal Name
1	TMDS Data2 Shield
2	TMDS Data3+
3	TMDS Data3-
4	TMDS Data1 Shield
5	TMDS Data1+
6	TMDS Data1-
7	TMDS Data2 Shield
8	TMDS Data2+
9	TMDS Data2-
10	TMDS Clock Shield
11	TMDS Clock+
12	TMDS Clock-
13	HS/CLK Ground
14	CLK
15	SHL
16	SHR
17	Utility
18	+5V Power
19	Hot Plug Detect



MATERIAL:

Insulator: High Temperature Thermoplastic,
 Contact: Copper Alloy T=0.12
 SHELL: C2680 T=0.35

PLATING:

Contact:All Area Au:1u"
 shell:All Area Au Gold flash

REVISION NO.	ECR NO.	DESCRIPTION	MARK	DATE
1				
2				

深圳市金航标电子有限公司		www.kinghelm.com.cn	
KH-HDMI-0035-CB		0755-28190160	
PRODUCT NAME : MINI-HDMI 19Pin C TYPE 双版本连接器		DRAWING:	DATE: 2009/12/10
UNLESS OTHERWISE SPECIFIABLE		CHECK:	DATE: 2009/12/10
DIMENSION TOLERANCE		APPROVED:	DATE: 2009/12/10
X.X: ± 0.25		SCALE: 1:1	
X.XX: ± 0.10		DWG ID: P D	
X.XXX: ± 0.05		REV.: A	
ANGULAR: ± 1°		PAGE: 1 of 1	

X-ON Electronics

Largest Supplier of Electrical and Electronic Components

Click to view similar products for [HDMI, Displayport & DVI Connectors](#) category:

Click to view products by [Kinghelm](#) manufacturer:

Other Similar products are found below :

[30-528](#) [30-504](#) [33DVIR-24S1B](#) [47648-2000](#) [TC142X](#) [1932649-1](#) [HAGBH](#) [AABII](#) [ABIBG](#) [AAIBH](#) [52355](#) [XHLJQ-00026](#) [HDMI-019R](#)
[G46M2013201AWEU](#) [ST-0277D00-052-142](#) [HC-PJ-320A-3P-D](#) [HC-PJ-3133-5P-D](#) [PJ-342](#) [141](#) [PJ-320A-4P](#) [DIP](#) [HC-PJ-325C-5P](#) [HC-PJ-](#)
[320D-4P-S](#) [HC-PJ-3133-6P-S](#) [D-SUB-DR-9PCM-CB](#) [ST-0275S00-082-182](#) [HC-PJ-320A-4P-D](#) [HC-PJ-325A-5P](#) [HC-PJ-3134-6P-D](#) [HDR-](#)
[HX-102DIP](#) [HDMI-GD-121PWB](#) [C2939191](#) [C2939584](#) [PJ-208](#) [PJ-2040](#) [PJ-3580A-6A](#) [PJ-399M](#) [PJ-3200A-3A](#) [PJ-328B-4B](#) [PJ-3930-7A](#)
[PJ-615-5A](#) [PJ-332-6A](#) [KH-HDMI-0001](#) [KH-PJ-209-SMT](#) [KH-HDMI-0035-XK](#) [KH-PJ-328A-5P](#) [KH-PJ-322](#) [KH-PJ-327E-SMT](#) [KH-PJ-](#)
[320A-5.6](#) [KH-HDR15P-F3.08](#) [KH-HDMI-0005A-SMT](#) [KH-HDMI-0021-JBS](#)