

REV.	DESCRIPTION	NAME	DATE
A	NEWS ISSUE	LXH	2018/01/18

说明:
1. 材质: 胶壳: LCP, UL94V-0; COLOR: BLACK
端子: C2680
外壳: SPC/C2680

2. 电镀说明:
端子: 接触区域镀金G.F
焊锡区域镀锡100"
全部区域镀底50"
外壳: 表面镀锌100"

3. 规格说明:
电气性能:

绝缘阻抗 (EIA-364-21): 100M Ω
MIN. AT 500V/DC FOR 1MINUTE.
接触阻抗 (EIA-364-06) 30M Ω MAX.
耐电压 (EIA-364-20) NO DISCHARGE,
FLASHOVER OR BREAKDOWN
AT 500V/AC 1MINUTE.

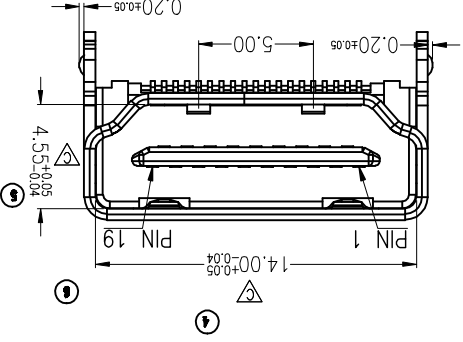
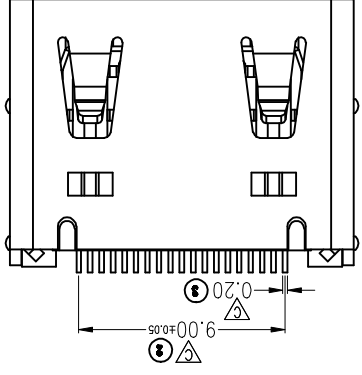
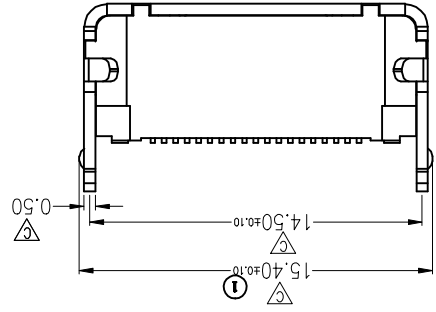
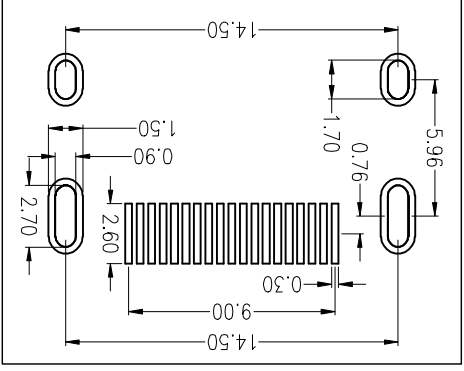
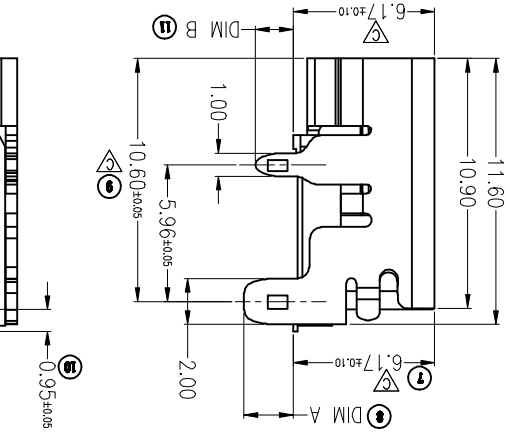
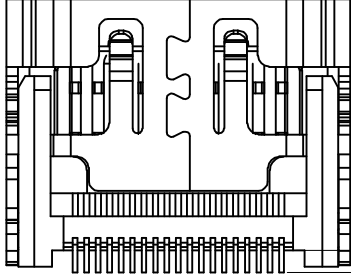
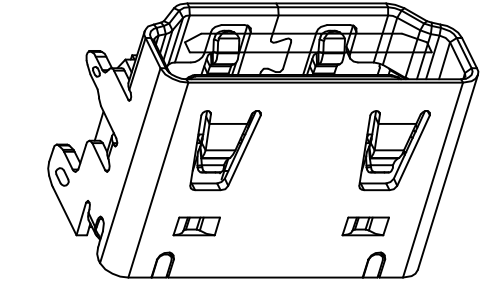
深圳市金航标电子有限公司

TITLE: HDMI A TYPE 板上型

TOLENANCE UNSPECIFIED
±0.35
±0.25
±0.15
±0.00
X
±2.00"
CUSTOMER DRAWING

DRAWN	DATE	LXH	DATE	2018/01/18	SIZE:A4	UNIT:mm	PART.NO:	HAXX-XXXX-X1-1
CHECKED	DATE	LXY <td>DATE</td> <td>2018/01/18 <td>SCALE:</td> <td>1:1 <td>PROJECTION</td> <td>REV.: A</td> </td></td>	DATE	2018/01/18 <td>SCALE:</td> <td>1:1 <td>PROJECTION</td> <td>REV.: A</td> </td>	SCALE:	1:1 <td>PROJECTION</td> <td>REV.: A</td>	PROJECTION	REV.: A
APPROVED	DATE	LCY <td>DATE</td> <td>2018/01/18 <td>DWG</td> <td>PATH</td> <td>C00-0000-0024</td> <td>PATH 1/3</td> </td>	DATE	2018/01/18 <td>DWG</td> <td>PATH</td> <td>C00-0000-0024</td> <td>PATH 1/3</td>	DWG	PATH	C00-0000-0024	PATH 1/3

型号: KH-HDMI-19P-Cu



RECOMMENDED P.C.B. HOLE LAYOUT
COMPONENT SIDE VIEW(TOLERANCE: +/-0.05)

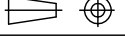
深圳市金航标电子有限公司

TITLE: HDMI A TYPE 板上型

TOLERANCE UNLESS NOTED
 .0
 ±0.35
 ±0.25
 ±0.15
 ±2.00
 X
 CUSTOMER DRAWING

LKH DATE 2018/01/18
 SIZE:A4 UNIT:mm PART.NO: HAXX-XXXX-X1-1

PROJECTION



REV.: A

C00-0000-0024

PATH 2/3

DWG PATH

LKY DATE 2018/01/18

APPROVED DATE

LKY DATE 2018/01/18

CHECKED DATE

LKH DATE 2018/01/18

DRAWN DATE

L1代表端子半金锡0.5U
 L2代表端子半金锡1U
 L3代表端子半金锡3U
 Q3代表端子接触区镀金3U，焊脚G/F

规格	DIM A	DIM B	外壳脚凸点
1	2.16	1.66	无凸点
2	2.16	1.66	带凸点
3	1.50	1.50	无凸点
4	2.20	2.20	无凸点
5	1.50	1.50	带凸点

外壳脚规格:

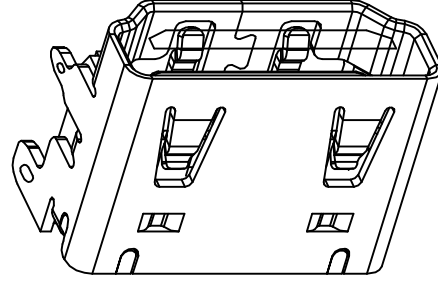
HA02-XXXX-X1-1

4.P/N:

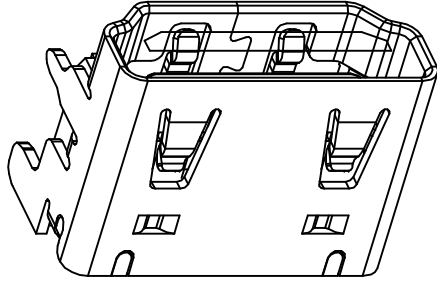
01代表铁壳
 02代表铜壳

N1代表外壳镀镍
 F1代表外壳镀金

脚有凸点



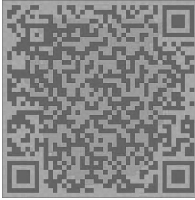
脚无凸点



PIN	Signal Assignment
2	TMS Data2 Shield
4	TMS Data1+
6	TMS Data1-
8	TMS Data0 Shield
10	TMS Clock+
12	TMS Clock-
14	Utility
16	SDA
18	+5V Power

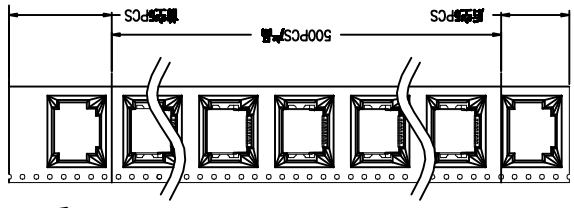
PIN	Signal Assignment
1	TMS Data2+
3	TMS Data2-
5	TMS Data1 Shield
7	TMS Data0+
9	TMS Data0-
11	TMS Clock Shield
13	CEC
15	SCL
17	DDC/CEC Ground
19	Hot Plug Detect

技术详询



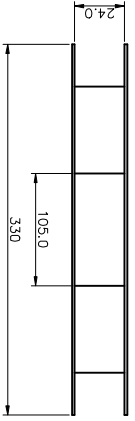
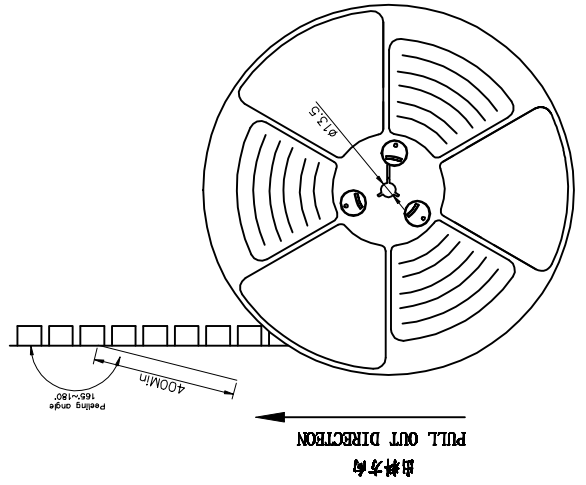
HAXX-XXXX-X1-1		500	40	5000	—	—	—
(Product No.)	pcs/box boxes/Carton	Pcs/Box	N.W./Pcs	G.W./Box	包裝容量 (Packaging Capacity)		
產品料號	包裝淨重 (kg)		重量				
(The detail of the packing) ton							

2. 出貨運輸過程中一定注意：
THIS REQUIREMENT SHOULD BE APPLIED AT SHIPMENT:
卷帶在運輸過程中不能散開
PEELING OFF SHOULD NOT BE ALLOWED DURING TRANSPORTATION

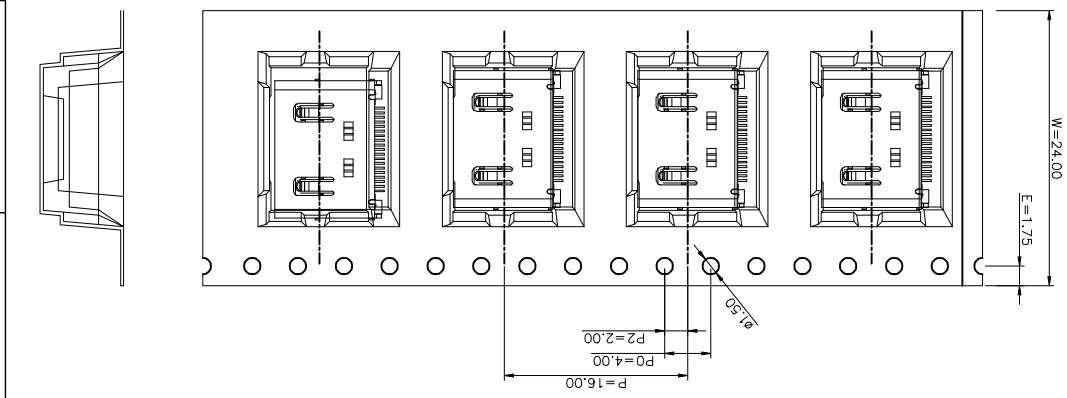
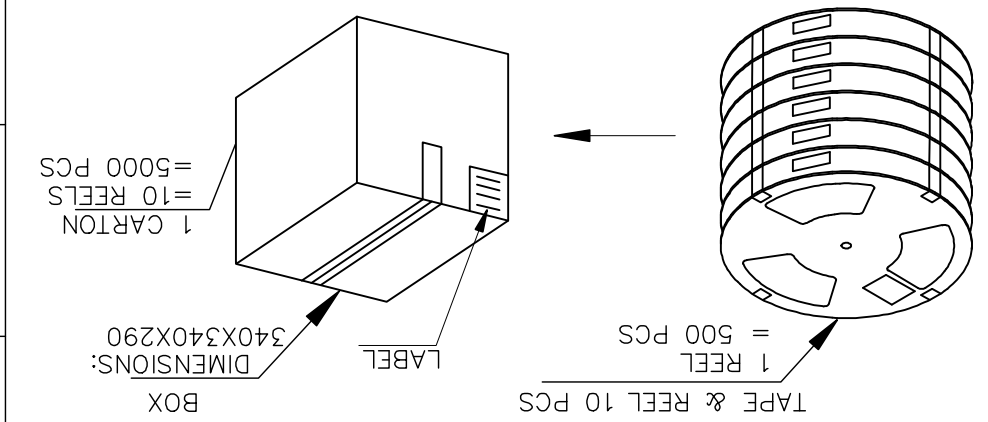


1. 帶子引導長度
LEAD TAPE LENGTH
出料方向
PULL OUT DIRECTION

NOTES



DATE	2018/01/18	DATE	2018/01/18	DATE	2018/01/18	DATE	2018/01/18
DRAWN	LXH	CHECKED	LCTY	APPROVED	LCTY	DWG	PATH
TITLE:	HDMI A TYPE 板上型						
TOLERANCE UNRESERVED		TITILE: HDMI A TYPE 板上型					
.0		TITILE: HDMI A TYPE 板上型					
±0.35		TITILE: HDMI A TYPE 板上型					
±0.25		TITILE: HDMI A TYPE 板上型					
±0.00		TITILE: HDMI A TYPE 板上型					
±0.15		TITILE: HDMI A TYPE 板上型					
±2.00		TITILE: HDMI A TYPE 板上型					
CUSTOMER DRAWING		TITILE: HDMI A TYPE 板上型					
SIZE:A4		TITILE: HDMI A TYPE 板上型					
UNIT:mm		TITILE: HDMI A TYPE 板上型					
PART.NO:		TITILE: HDMI A TYPE 板上型					
HAXX-XXXX-X1-1		TITILE: HDMI A TYPE 板上型					
REV.: A		TITILE: HDMI A TYPE 板上型					
PATH		TITILE: HDMI A TYPE 板上型					
3/3		TITILE: HDMI A TYPE 板上型					



X-ON Electronics

Largest Supplier of Electrical and Electronic Components

Click to view similar products for [HDMI, Displayport & DVI Connectors](#) category:

Click to view products by [Kinghelm](#) manufacturer:

Other Similar products are found below :

[1775247-3](#) [2-1932649-5](#) [30-1231](#) [30-528](#) [2069485-1](#) [30-504](#) [30-519](#) [30-542](#) [47648-2000](#) [2002-400](#) [1453G1](#) [769-103/021-000](#) [1932649-1](#)
[233-368NFG6-17NH](#) [G45A19071083HR](#) [233-360NF00-17NH](#) [CP30200GM3B](#) [HYC02-DVI29-371](#) [P136-06NHDV4KBP](#) [CP30116](#)
[LTWDID-29PFFS-SL8001](#) [46765-1301](#) [1211-0010-201-001](#) [47271-1004](#) [32-1121-BU](#) [DS1117-BN0-TME-002](#) [MHDR2A11004BP](#)
[EHHDMI2PKG](#) [1903015-3](#) [DS1114-BN0](#) [WPUSBAF](#) [500254-1931](#) [UAD011FM](#) [HDMR-19-01-F-SM](#) [47151-1071](#) [1747981-1](#) [0480372000](#)
[0482580001](#) [D121073-19](#) [472710111](#) [HDMI-S-RA6-SMT-MF-15](#) [P142-000-UP](#) [P134-003](#) [P120-08N](#) [KDMIX-FS1V-WS-B](#) [P142-000-UD](#)
[P132-000](#) [P130-000](#) [P142-06N-MICRO](#) [P142-000-MINI](#)