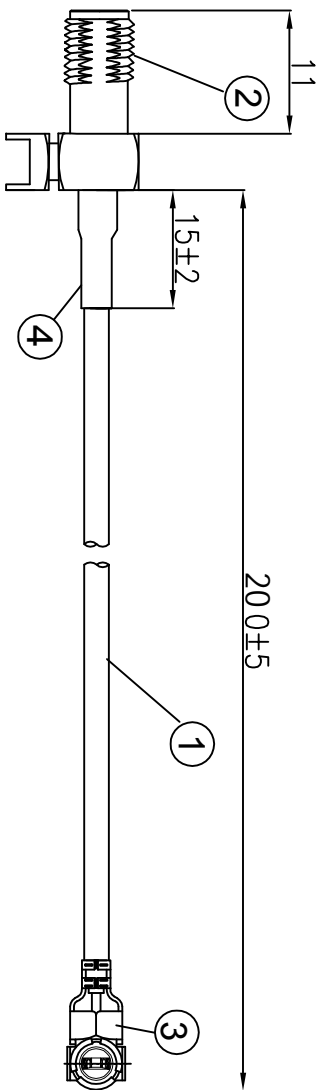


REVISIONS				
REV NUMBER	DESCRIPTION	DWN	CHK	DATE
A	DESIGN			



- NOTES:
1. ELECTRICAL:
- 1.1. VOLTAGE RATING:DCV 300V 10MS
  - 1.2. CONDUCTANCE RESISTANCE: 3.0 OHM/MAX.
  - 1.3. INSULATION RESISTANCE: 5.0M OHM/MIN.
  - 1.4. THE CABLE SHOULD BE 100% ELECTRICAL TEST
  - 1.5. IT SHOULD BE NO ANY OPENS/SHORT, MISWIRING AND INTERMITTENT FAILURES.
2. MATERIAL:
- 2.1. SEE TABLE
3. ALL COMPONENTS ARE ROHS COMPLIANT.

ITEM NO.	PART NUMBER	DESCRIPTION	QTY.
④	套管	黑色热缩套管, OD:2.0MM	AS
③	端子	高仿I-PEX, 1.37端子, 镀金	1
②	接头	SMA母头母针, 带4个脚, 半牙, 镀金	1
①	同轴线	RF1.37黑线, OD:1.37mm	AS

深圳市金航标电子有限公司 WWW.BDS666.COM  
 KH-1PEX-SMAKWE-RG137-B200MM 0755-83044319

ALL DIMENSION ARE IN MM	DRAWN James	DATE 2021-10-30	I-PEX 1.37 TO SMA /F L=200mm
CHKD. Frank	2021-10-30		
APPD. Scott	2021-10-30		
COMPUTER GENERATED IN SOLIDWORKS			
DO NOT SCALE THIS DRAWING			
PROJECTION			
GENERAL TOLERANCE FOR ANGLES	X:X	X:XX	
±	1° ±	0.05	0.25 0.150

CUSTOMER P/N:

SIZE	Number	REV
B	K:XXX	A
SCALE:	Free	TYPE
SHEET	1	OF

## X-ON Electronics

Largest Supplier of Electrical and Electronic Components

*Click to view similar products for [Antenna Accessories](#) category:*

*Click to view products by [Kinghelm](#) manufacturer:*

Other Similar products are found below :

[HKIT-MTA9101-001](#) [YMST4](#) [NMOHPCN518](#) [MB830](#) [MB825](#) [MB820](#) [GRO](#) [W9909](#) [HKIT-MTA9100-001](#) [MABT8UM9](#) [HKIT-LPx-001](#)  
[GPS-17519](#) [MABT8M](#) [KH-IPEX3-0.81](#) [HJ-IPEX1-1.13-SMA-L=100mm](#) [3C0224M01-003](#) [KHA\(RG1.37\)-TX300B-IPEX](#) [KHA\(RG1.37\)-](#)  
[TX80B-IPEX](#) [KHA\(RG1.37\)-TX140B-IPEX](#) [KH-IPEXA-SMAKWE-B060H](#) [KHA\(RG1.37\)-TX90B-IPEX](#) [KH-IPEX-SMA-RG137-120MM](#)  
[KH-SMAKW-IPEX4-RG1.13-B300](#) [KH-SMAKW-IPEX4-RG0.81-B90](#) [KH-SMAKW-IPEX4-RG1.37-B80](#) [KH-SMAKW-IPEX4-RG1.37-](#)  
[B160](#) [KH-SMAKW-IPEX-RG0.81-B70](#) [KH-SMAKW-IPEX-RG0.81-B140](#) [KHA-\(RG1.13\)-TX120-IPEX-221](#) [KHA\(RG1.37\)-TX70B-IPEX](#)  
[KH-SMAKW-IPEX-RG1.78-250](#) [KH-SMAKW-IPEX4-RG0.81-B200](#) [KH-SMAKW-IPEX4-RG1.13-B70](#) [KH-SMAKW-IPEX4-RG1.37-B90](#)  
[KH-SMAJ-221-RG1.78-160](#) [KH-SMAJ-221-RG1.13-B70](#) [KH-SMAJ-221-RG1.37-B90](#) [KH-FL2SMAK-IPEX-RG0.81-B50](#) [KH-FL2SMAK-](#)  
[IPEX3-RG0.81-B300](#) [KH-SMAKW-IPEX4-RG1.13-B140](#) [KH-SMAKW-IPEX-RG1.78-100](#) [KH-SMAKW-IPEX-RG0.81-B300](#) [KH-](#)  
[SMAKW-IPEX-RG1.37-B90](#) [KH-SMAKW-IPEX-RG1.37-B180](#) [KH-SMAKW-IPEX-RG1.78-60](#) [KH-SMAKW-IPEX3-RG0.81-B60](#) [KH-](#)  
[SMAKW-IPEX4-RG1.13-B90](#) [KH-SMAKW-IPEX-RG0.81-B160](#) [KH-\(RG0.81\)-TX80-IPEX3-221](#) [KH-SMAKW-IPEX4-RG0.81-B70](#)