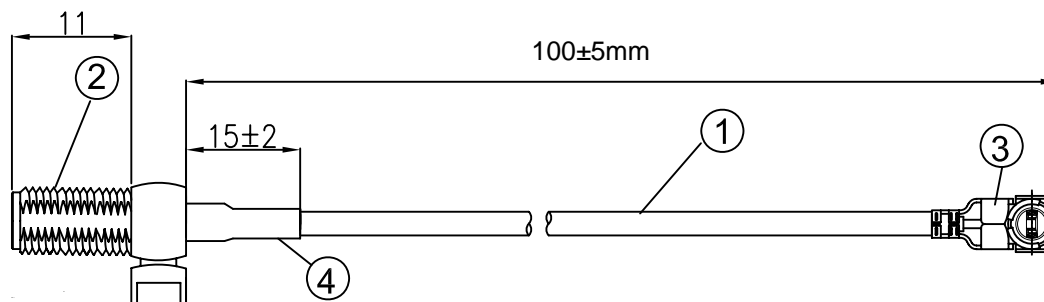


型号: KH-I PEX-SMAKWE-RG137-Q100MM



NOTES:

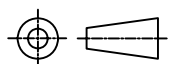
1. ELECTRICAL:
 - 1.1. VOLTAGE RATING:DCV 300V 10MS
 - 1.2. CONDUCTANCE RESISTANCE: 3.0 OHM/MAX.
 - 1.3. INSULATION RESISTANCE: 5.0M OHM/MIN.
 - 1.4. THE CABLE SHOULD BE 100% ELECTRICAL TEST
 - 1.5. IT SHOULD BE NO ANY OPEN/SHORT, MISWIRING AND INTERMITTENT FAILURES.
2. MATERIAL:
 - 2.1. SEE TABLE
3. ALL COMPONENTS ARE RoHS COMPLIANT.

ITEM NO.	PART NUMBER	DESCRIPTION	QTY.
④	套管	黑色热缩套管, OD:2.0MM	AS
③	端子	高仿I-PEX, 1.37端子, 镀金	1
②	接头	SMA母头母针, 带4个脚, 11牙, 镀金, 外螺内孔	1
①	同轴线	RF1.37黑线, OD: 1.37mm	AS

深圳市金航标电子有限公司 WWW.BDS666.COM
 KH-I PEX-SMAKWE-RG137-Q100MM 0755-83044319

ALL DIMENSION ARE IN MM	DRAWN	James	DATE	2020-04-15	I-PEX1.37 TO SMA /F L=100mm			
	CHKD.	Frank		2020-04-15				
COMPUTER GENERATED IN SOLIDWORKS	APPD.	Scott		2020-04-15				
DO NOT SCALE THIS DRAWING					SIZE	Number	REV	A
PROJECTION	GENERAL TOLERANCE FOR ANGLES				B			
	X.X X.XX X.XXX ± 1° ± 0.3 ± 0.25 ± 0.150				SCALE: Free	TYPE	SHEET 1 OF 1	

CUSTOMER P/N:



X-ON Electronics

Largest Supplier of Electrical and Electronic Components

Click to view similar products for [Antenna Accessories](#) category:

Click to view products by [Kinghelm](#) manufacturer:

Other Similar products are found below :

[HKIT-MTA9101-001](#) [YMST4](#) [NMOHPCN518](#) [MB830](#) [MB825](#) [MB820](#) [GRO](#) [W9909](#) [HKIT-MTA9100-001](#) [MABT8UM9](#) [HKIT-LPx-001](#)
[GPS-17519](#) [MABT8M](#) [KH-IPEX3-0.81](#) [HJ-IPEX1-1.13-SMA-L=100mm](#) [3C0224M01-003](#) [KHA\(RG1.37\)-TX300B-IPEX](#) [KHA\(RG1.37\)-](#)
[TX80B-IPEX](#) [KHA\(RG1.37\)-TX140B-IPEX](#) [KH-IPEXA-SMAKWE-B060H](#) [KHA\(RG1.37\)-TX90B-IPEX](#) [KH-IPEX-SMA-RG137-120MM](#)
[KH-SMAKW-IPEX4-RG1.13-B300](#) [KH-SMAKW-IPEX4-RG0.81-B90](#) [KH-SMAKW-IPEX4-RG1.37-B80](#) [KH-SMAKW-IPEX4-RG1.37-](#)
[B160](#) [KH-SMAKW-IPEX-RG0.81-B70](#) [KH-SMAKW-IPEX-RG0.81-B140](#) [KHA-\(RG1.13\)-TX120-IPEX-221](#) [KHA\(RG1.37\)-TX70B-IPEX](#)
[KH-SMAKW-IPEX-RG1.78-250](#) [KH-SMAKW-IPEX4-RG0.81-B200](#) [KH-SMAKW-IPEX4-RG1.13-B70](#) [KH-SMAKW-IPEX4-RG1.37-B90](#)
[KH-SMAJ-221-RG1.78-160](#) [KH-SMAJ-221-RG1.13-B70](#) [KH-SMAJ-221-RG1.37-B90](#) [KH-FL2SMAK-IPEX-RG0.81-B50](#) [KH-FL2SMAK-](#)
[IPEX3-RG0.81-B300](#) [KH-SMAKW-IPEX4-RG1.13-B140](#) [KH-SMAKW-IPEX-RG1.78-100](#) [KH-SMAKW-IPEX-RG0.81-B300](#) [KH-](#)
[SMAKW-IPEX-RG1.37-B90](#) [KH-SMAKW-IPEX-RG1.37-B180](#) [KH-SMAKW-IPEX-RG1.78-60](#) [KH-SMAKW-IPEX3-RG0.81-B60](#) [KH-](#)
[SMAKW-IPEX4-RG1.13-B90](#) [KH-SMAKW-IPEX-RG0.81-B160](#) [KH-\(RG0.81\)-TX80-IPEX3-221](#) [KH-SMAKW-IPEX4-RG0.81-B70](#)