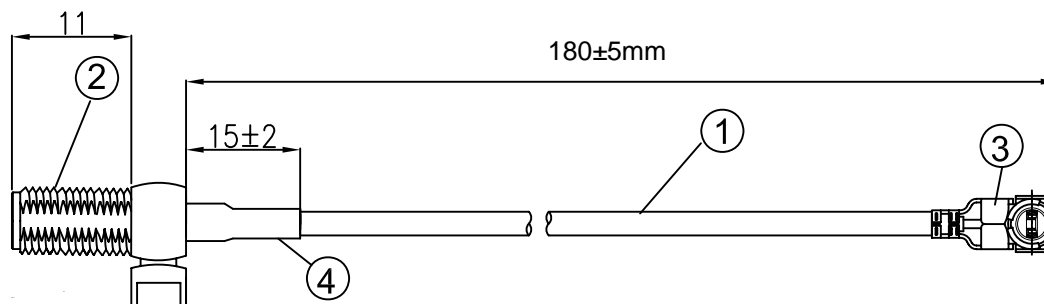


# 型号: KH-I PEX-SMAKWE-RG137-Q180MM



**NOTES:**

1. ELECTRICAL:
  - 1.1. VOLTAGE RATING:DCV 300V 10MS
  - 1.2. CONDUCTANCE RESISTANCE: 3.0 OHM/MAX.
  - 1.3. INSULATION RESISTANCE: 5.0M OHM/MIN.
  - 1.4. THE CABLE SHOULD BE 100% ELECTRICAL TEST
  - 1.5. IT SHOULD BE NO ANY OPEN/SHORT, MISWIRING AND INTERMITTENT FAILURES.
2. MATERIAL:
  - 2.1. SEE TABLE
3. ALL COMPONENTS ARE RoHS COMPLIANT.

| ITEM NO. | PART NUMBER | DESCRIPTION                  | QTY. |
|----------|-------------|------------------------------|------|
| ④        | 套管          | 黑色热缩套管, OD:2.0MM             | AS   |
| ③        | 端子          | 高仿I-PEX, 1.37端子, 镀金          | 1    |
| ②        | 接头          | SMA母头母针, 带4个脚, 11牙, 镀金, 外螺内孔 | 1    |
| ①        | 同轴线         | RF1.37黑线, OD: 1.37mm         | AS   |

深圳市金航标电子有限公司 WWW.BDS666.COM  
 KH-I PEX-SMAKWE-RG137-Q180MM 0755-83044319

|                                  |                              |             |                |            |                             |
|----------------------------------|------------------------------|-------------|----------------|------------|-----------------------------|
| ALL DIMENSION ARE IN MM          | DRAWN                        | James       | DATE           | 2020-04-15 | I-PEX1.37 TO SMA /F L=180mm |
|                                  | CHKD.                        | Frank       |                | 2020-04-15 |                             |
|                                  | APPD.                        | Scott       |                | 2020-04-15 |                             |
| COMPUTER GENERATED IN SOLIDWORKS |                              |             |                |            |                             |
| DO NOT SCALE THIS DRAWING        |                              |             |                |            |                             |
| PROJECTION                       | GENERAL TOLERANCE FOR ANGLES |             | X.X X.XX X.XXX |            | SIZE                        |
|                                  | ± 1°                         |             | ± 0.3          | ± 0.25     | ± 0.150                     |
| CUSTOMER P/N:                    |                              |             |                | REV        |                             |
|                                  |                              |             |                | A          |                             |
|                                  |                              | SCALE: Free |                | TYPE       | SHEET 1 OF 1                |

## X-ON Electronics

Largest Supplier of Electrical and Electronic Components

*Click to view similar products for [Antenna Accessories](#) category:*

*Click to view products by [Kinghelm](#) manufacturer:*

Other Similar products are found below :

[HKIT-MTA9101-001](#) [YMST4](#) [NMOHPCN518](#) [MB830](#) [MB825](#) [MB820](#) [GRO](#) [W9909](#) [HKIT-MTA9100-001](#) [MABT8UM9](#) [HKIT-LPx-001](#)  
[GPS-17519](#) [MABT8M](#) [KH-IPEX3-0.81](#) [HJ-IPEX1-1.13-SMA-L=100mm](#) [3C0224M01-003](#) [KHA\(RG1.37\)-TX300B-IPEX](#) [KHA\(RG1.37\)-](#)  
[TX80B-IPEX](#) [KHA\(RG1.37\)-TX140B-IPEX](#) [KH-IPEXA-SMAKWE-B060H](#) [KHA\(RG1.37\)-TX90B-IPEX](#) [KH-IPEX-SMA-RG137-120MM](#)  
[KH-SMAKW-IPEX4-RG1.13-B300](#) [KH-SMAKW-IPEX4-RG0.81-B90](#) [KH-SMAKW-IPEX4-RG1.37-B80](#) [KH-SMAKW-IPEX4-RG1.37-](#)  
[B160](#) [KH-SMAKW-IPEX-RG0.81-B70](#) [KH-SMAKW-IPEX-RG0.81-B140](#) [KHA-\(RG1.13\)-TX120-IPEX-221](#) [KHA\(RG1.37\)-TX70B-IPEX](#)  
[KH-SMAKW-IPEX-RG1.78-250](#) [KH-SMAKW-IPEX4-RG0.81-B200](#) [KH-SMAKW-IPEX4-RG1.13-B70](#) [KH-SMAKW-IPEX4-RG1.37-B90](#)  
[KH-SMAJ-221-RG1.78-160](#) [KH-SMAJ-221-RG1.13-B70](#) [KH-SMAJ-221-RG1.37-B90](#) [KH-FL2SMAK-IPEX-RG0.81-B50](#) [KH-FL2SMAK-](#)  
[IPEX3-RG0.81-B300](#) [KH-SMAKW-IPEX4-RG1.13-B140](#) [KH-SMAKW-IPEX-RG1.78-100](#) [KH-SMAKW-IPEX-RG0.81-B300](#) [KH-](#)  
[SMAKW-IPEX-RG1.37-B90](#) [KH-SMAKW-IPEX-RG1.37-B180](#) [KH-SMAKW-IPEX-RG1.78-60](#) [KH-SMAKW-IPEX3-RG0.81-B60](#) [KH-](#)  
[SMAKW-IPEX4-RG1.13-B90](#) [KH-SMAKW-IPEX-RG0.81-B160](#) [KH-\(RG0.81\)-TX80-IPEX3-221](#) [KH-SMAKW-IPEX4-RG0.81-B70](#)