

型号: KH-PCIE5.2H-52P

REV

ECN NO.

ORDERING INFORMATION

PCI 52 U 2 E - X X
 (1) (2) (3) (4) (5) (6) (7)

- SERIES NO.
PCI: PCI CONNECTOR
- NUMBER OF PIN
52: 52 POSITIONS
- TAIL CONSTRUCTION TYPE
U: SMT TYPE
- PRODUCT HEIGHT
2: PRODUCT HEIGHT:5.20mm
- PCI TYPE
E: MINI PCI EXPRESS CONN.
- HOUSING COLOR CODES AND MATERIAL
C: COLOR: BLACK & MATERIAL: LCP
D: COLOR: WHITE & MATERIAL: LCP
- CONTACT PLATING
1: GOLD FLASH OVER NICKEL ON CONTACT AREA AND 100u" MIN. TIN PLATING OVER NICKEL ON SOLDER TAILS
2: 15u"GOLD PLATING OVER NICKEL ON CONTACT AREA AND 100u" MIN. TIN PLATING OVER NICKEL ON SOLDER TAILS
3: 30u"GOLD PLATING OVER NICKEL ON CONTACT AREA AND 100u" MIN. TIN PLATING OVER NICKEL ON SOLDER TAILS

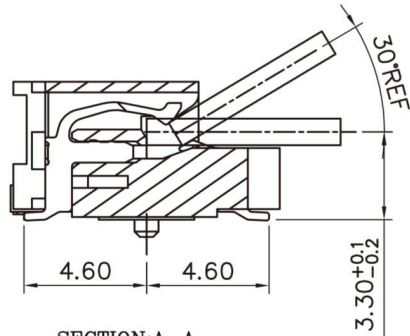
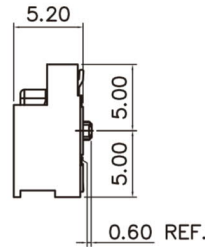
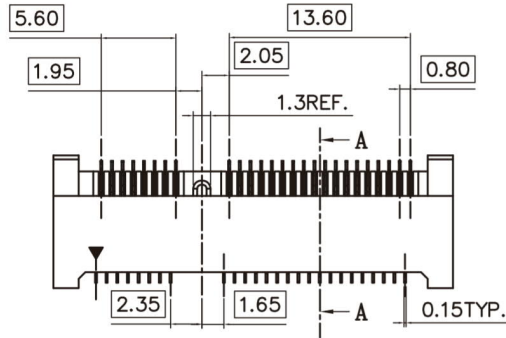
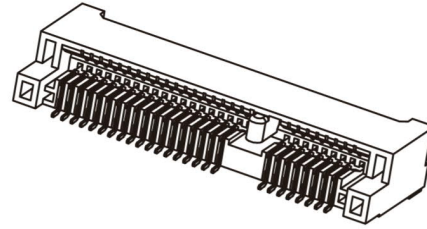
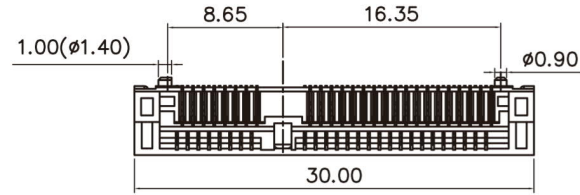
NOTES:

MATERIAL AND FINISH:

CONTACT: COPPER ALLOY, NICKEL UNDERPLATING. GOLD PLATING ON CONTACT AREA AND ON SOLDER AREA.

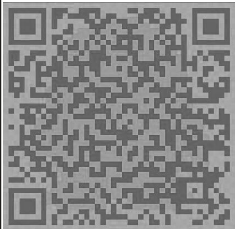
WELD: COPPER ALLOY, NICKEL UNDERPLATING, MATTE-TIN OVER NICKEL.

HOUSING: HIGH TEMP. THERMOPLASTIC, UL 94V-0



SECTION: A-A
SCALE 2:1

技术详询



5			
4			
3			
2			
1			
NO.	DATE	DESCRIPTION	APPROVAL
1			

DRAWING:
Chen

CHECKED:

APPROVAL:

GENERAL TOLERANCE

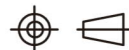
.X: =±0.4 .X°: =±2°
 .XX: =±0.25 .XX°: =±1°
 .XXX: = .XXX°: =±0.5°

UNIT: MM

SCALE: 1/1

SHEET: 1/3

PROJECTION:



深圳市金航标电子有限公司

DESCRIPTION:

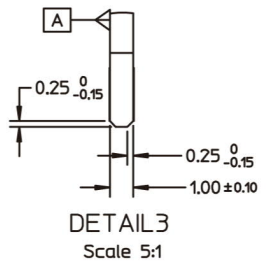
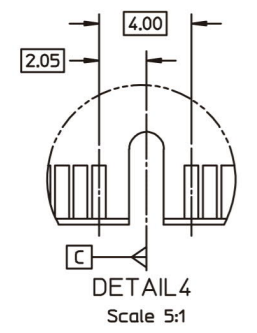
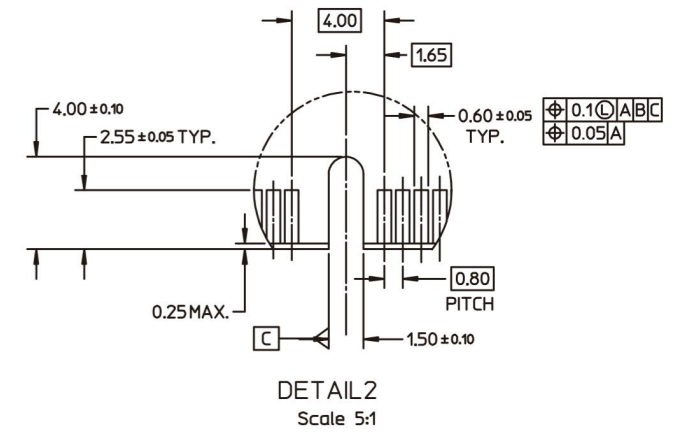
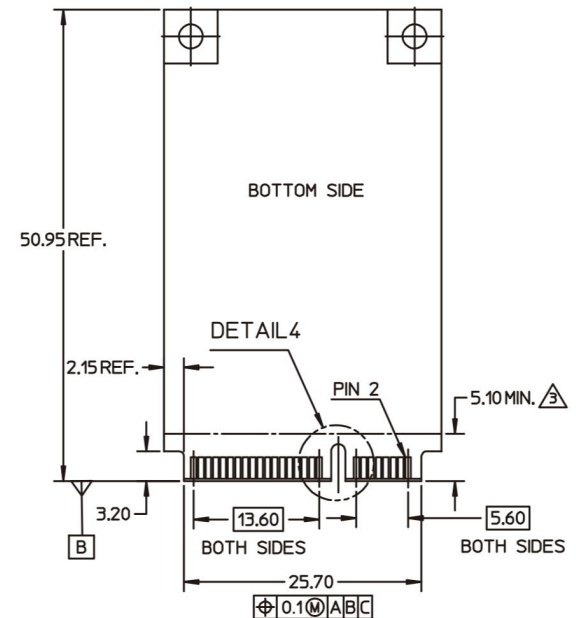
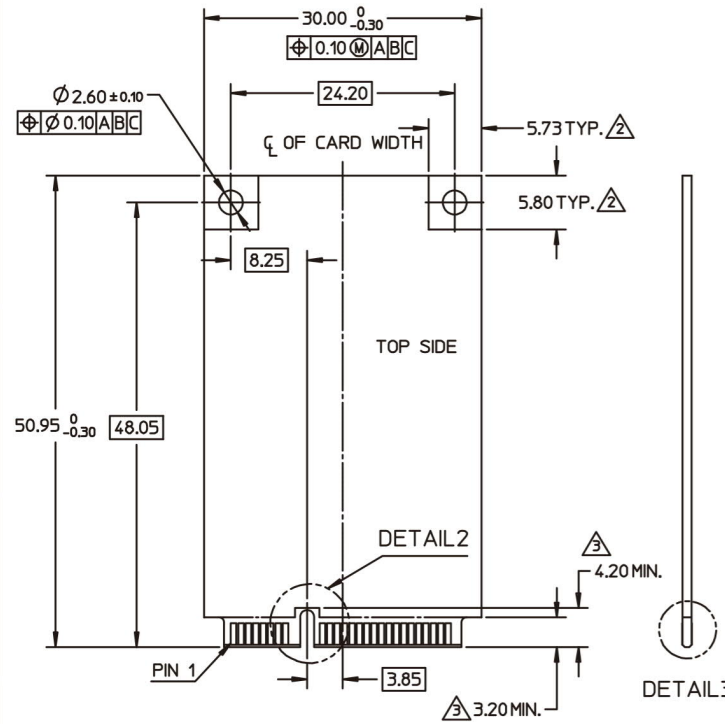
MINI PCI EXPRESS CONN. 0.8MM PITCH 52PIN 5.2MM

PART NO: PCI52U2E-XX

REV: 1.0

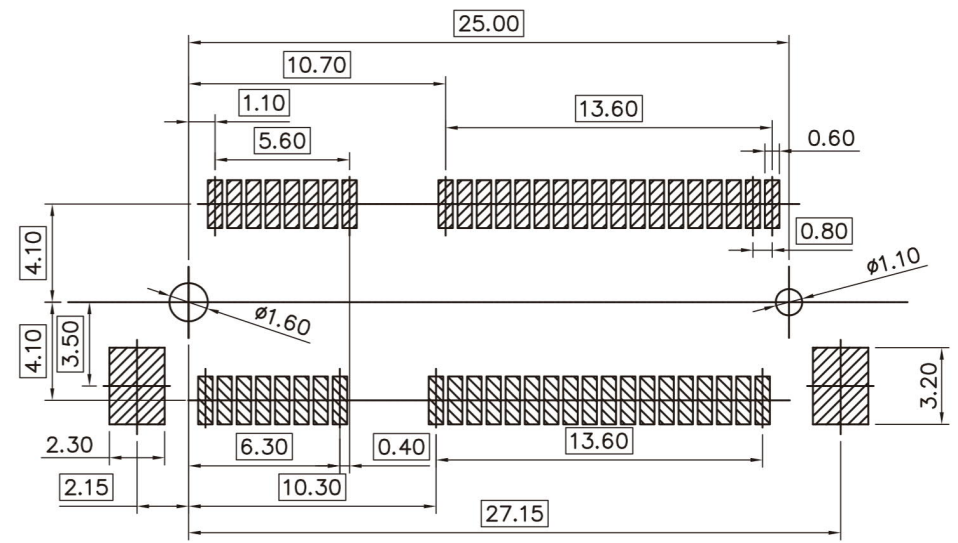
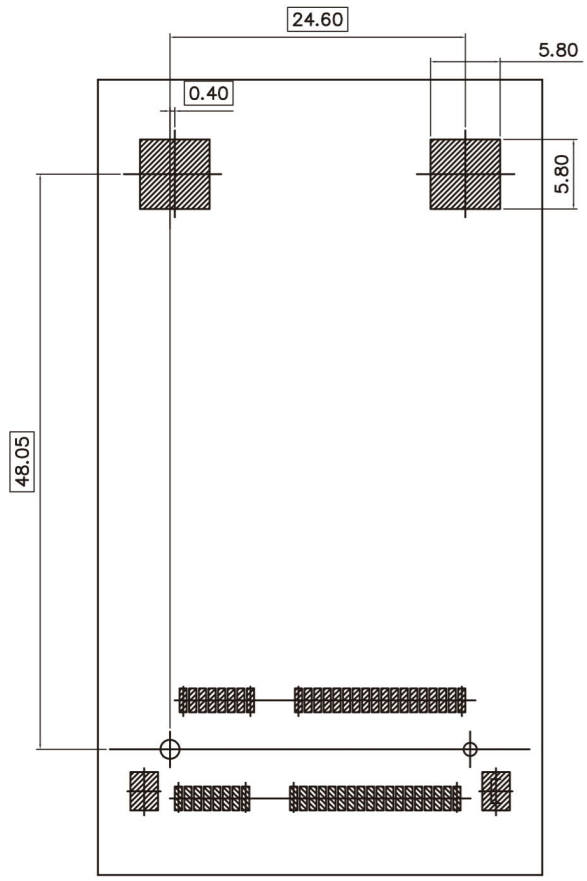
DRAWING NO: P1PCI52U2E-XX-01

SIZE: A4



NOTES:
 1. PIN NUMBERING REFERENCE:
 ODD PINS-TOP SIDE
 EVEN PINS-BOTTOM SIDE
 2. COMPONENT AND ROUTING(ALL LAYERS)
 KEEP OUT AREA FOR HOLD DOWN SOLUTIONS
 3. COMPONENT KEEP OUT AREA FOR CONNECTOR

5				DRAWING: Chen	GENERAL TOLERANCE .X: = ±0.4 .X°: = ±2° .XX: = ±0.25 .XX°: = ±1° .XXX: = .XXX°: = ±0.5°	深圳市金航标电子有限公司	
4			CHECKED:	UNIT: MM PROJECTION:	DESCRIPTION: MINI PCI EXPRESS CONN. 0.8MM PITCH 52PIN 5.2MM		
3				APPROVAL:	SCALE: 1/1	PART NO: PCI52U2E-XX	REV: 1.0
2					SHEET: 3/3	DRAWING NO: P1PCI52U2E-XX-03	SIZE: A4
1							
NO.	DATE	DESCRIPTION	APPROVAL				



SCALE 2:1

RECOMMENDED PCB LAYOUT

5				DRAWING: Chen	GENERAL TOLERANCE		深圳市金航标电子有限公司	
4					.X: = ±0.4	.X°: = ±2°		
3				CHECKED:	.XX: = ±0.25	.XX°: = ±1°	DESCRIPTION: MINI PCI EXPRESS CONN. 0.8MM PITCH 52PIN 5.2MM	
2					.XXX: =	.XXX°: = ±0.5°		
1				APPROVAL:	UNIT: MM	PROJECTION:	PART NO: PCI52U2E-XX	
NO.	DATE	DESCRIPTION	APPROVAL		SCALE: 1/1		REV: 1.0	
					SHEET: 2/3		DRAWING NO: P1PCI52U2E-XX-02	
							SIZE: A4	

X-ON Electronics

Largest Supplier of Electrical and Electronic Components

Click to view similar products for [Standard Card Edge Connectors](#) category:

Click to view products by [Kinghelm](#) manufacturer:

Other Similar products are found below :

[6565204-6](#) [PKC-156](#) [1437274-4](#) [147889-1](#) [1489165-4](#) [EBT156-12B1X](#) [EBT15622B2X](#) [EBT156-22R2W](#) [1-582587-1](#) [1-582589-1](#) [2-6437275-9](#) [284-0102-12100](#) [306022901000000](#) [307-012-502-202](#) [307-024-526-201](#) [307-056-520-300](#) [307-080-526-208](#) [1926088-2](#) [245-062-520-350](#) [287-0032-12101](#) [306-010-500-112](#) [306-028-525-102](#) [306-240-318](#) [307-036-502-202](#) [307-036-521-301](#) [307-072-526-202](#) [345-060-559-303](#) [368-004-520-201](#) [392-008-559-201](#) [534671-1](#) [5-530501-5](#) [341-240-317](#) [345-029-520-300](#) [345-030-500-301](#) [345-044-500-300](#) [345-220-058](#) [346-240-318](#) [357-030-526-201](#) [387-012-523-300](#) [395-044-520-300](#) [395-100-524-300](#) [50-12B-10](#) [50-6SN-5](#) [09-07-2032](#) [10035388-106LF](#) [10035388-802LF](#) [10115859-011LF](#) [10122859-009LF](#) [101269333204245CLF](#) [10127905-B04B24BLF](#)