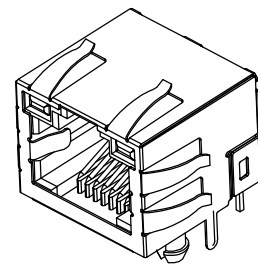
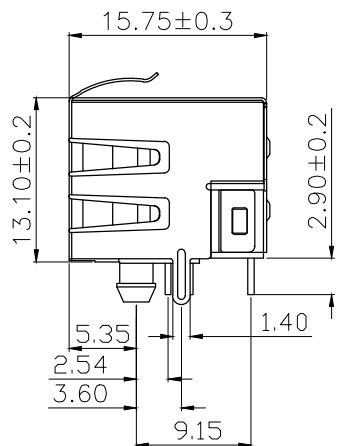
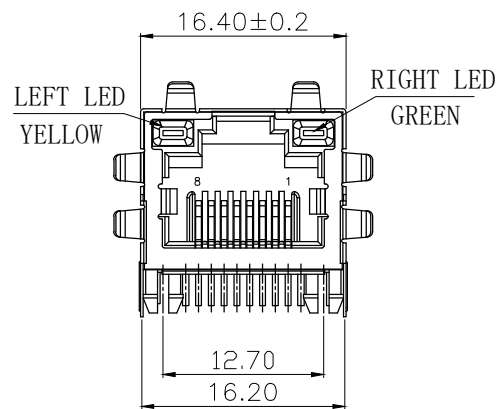


RoHS 2.0

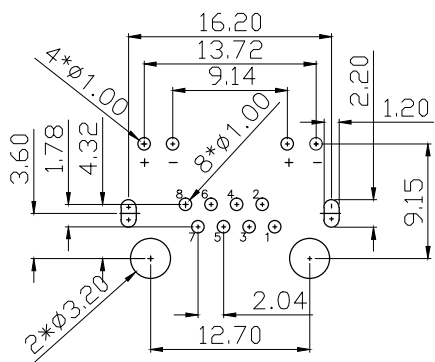
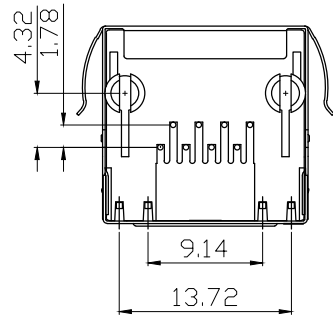
REV.	ECN NO.	DESCRIPTION	DATE	DESIGN
A1.	/.	重新整理图面	20.03.27	Yang



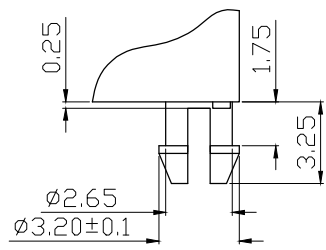
3D VIEW

NOTES:

1. MATERIAL:
 - 1.1. HOUSING: PBT ,COLOR IS BLACK;
 - 1.2. CONTACT: PHOSPHOR BRONZE,∅0.46±0.02mm;
 - 1.3. SHELL: BRASS T=0.2±0.02mm;
2. FINISH:
 - 2.1 CONTACT: PLATED GOLD OVER NI;
 - 2.2 SHELL: NI OVER ALL;
3. RECINNEBDED PCB THICKNESS: 1.60mm;
4. ELECTRICAL:
 - 4.1. VOLTAGE RATING: 125 VAC RMS;
 - 4.2. CURRENT RATING: 1.5 AMP;
 - 4.3. CONTACT RESISTANCE: 35MILLIOHMS MAX.;
 - 4.4. WITHSTAND VOLTAGE: 1000 VAC RMS 50(60)Hz,1MIN.;
 - 4.5. INSULATION RESISTANCE: 1000MEGOHMS MIN @500V DC;
5. MECHANICAL:
 - 5.1. MATING/UNMATING FORCE: 25N MAX.;
 - 5.2. RETENTIION STRENGTH: 50N MIN.;
 - 5.3. OPERATING LIFE: 750 CYCLES MIN.;
6. SALT SPRAY TEST: 12H;
7. SOLDERABILITY: 245±5°C,5±0.5S;
8. RESISTANCE TO SOLDER:260±0.5°C,10±1S;
9. ENVIRONMENTAL:
 - 9.1. STORAGE TEMPERATURE RANGE:-40°C~+85°C;
 - 9.2. OPERATION TEMPERATURE RANGE:-25°C~+70°C;
10. MATES WITH:MODULAR PLUGS THAT CONFORM TO FCC REGULATION PART 68.500;
11. THE MARK WITH "*" IS THE KEY INSPECTION DIMENSION FOR QC.



RECOMMENDER P. C. B. LAYOUT TOP VIEW
(COMPONENT SIDE TOLERANCE±0.05)



DETAIL "X"
SCALE 2:1

深圳市金航标电子有限公司		www.kinghelm.com.cn	
KH-RJ45-56-8P8C-D-T		0755-28190160	
UNLESS OTHERWISE SPECIFIED: GENERAL TOLERANCE: X.xxx ±0.10 X.xx ±0.20 X.x ±0.30	NAME: RJ45带灯带弹壳		P/N: 09.01.06.008
	DWG NO.:		
ANGULAR: X.xx' ±1' X.x' ±3' X.' ±5'	THIRD ANGLE PROJECTION	UNIT: mm	SCALE: 1:1
		SIZE: A4	SHEET: 1/1
DRAWN: Yangguangrong		CHECKED:	APPROVED: Tangguanlin

X-ON Electronics

Largest Supplier of Electrical and Electronic Components

Click to view similar products for [Modular Connectors / Ethernet Connectors](#) category:

Click to view products by [Kinghelm](#) manufacturer:

Other Similar products are found below :

[8949-H88/06BLKA/SN](#) [74441-0010/BKN](#) [PHP-6P6C-5](#) [GAX-3-66](#) [GDCX-PN-66](#) [GLX-A-44](#) [GLX-N-1010M-BLK](#) [GLX-S-88M-BLK](#)
[GMX-SMT4-N-88](#) [GSGX-N-2-88](#) [GSGX-N-4-88](#) [GSX-NS2-88-3.05](#) [GSX-NS-88-3.68](#) [PT-108A-8C-UL](#) [PTS-J531-8CS-50UL](#) [A-2014-0-4](#)
[GWLX-S9-88-YG](#) [DC-1021-8-WH-6](#) [1300530003](#) [1324640-4](#) [132764-001](#) [1413235](#) [MPS88RX-5000](#) [E5288-S000K3-L](#) [155302-001](#)
[AX101050](#) [AX101063](#) [AX101065](#) [AX101072](#) [AX101307](#) [AX101315](#) [AX101318](#) [AX102271](#) [AX102277](#) [AX102651](#) [AX102660](#) [AX104024](#)
[203475](#) [PC4D0018P](#) [KIT38082NI](#) [8949-B88/6](#) [2-6609208-5](#) [30-8956](#) [30-8964-100](#) [SM85](#) [SM99S01VBNN04G7](#) [17-103540](#) [191587](#) [PDI-68-RV](#) [PHP-8P8C-S-5](#)