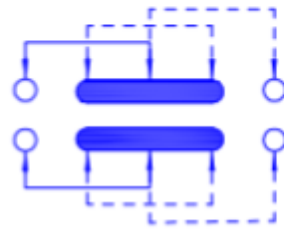
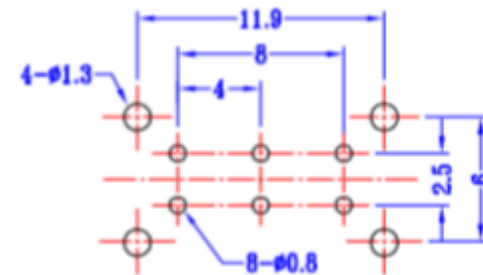
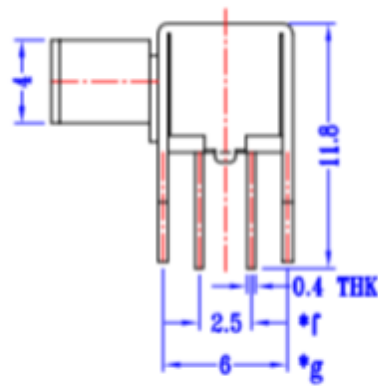
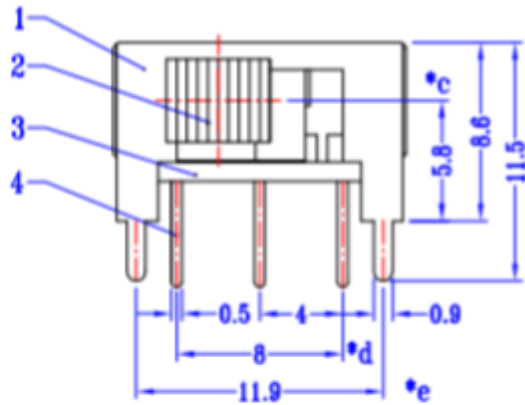
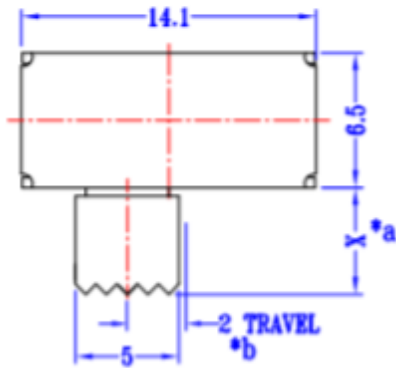




CAD FILE:



SCHEMATIC (NON-SHORTING)

P.C.B. LAYOUT  
BOTTOM VIEW

注: “\*”表示关键尺寸(7个).

| NO. | PARTS        | MATERIALS      | Q'TY | FINISH    | TOLERANCE<br>UNLESS SPECIFIED   | ISSUE | DATE                | DESCRIPTIONS OF REVISION | APPD.  |             |
|-----|--------------|----------------|------|-----------|---------------------------------|-------|---------------------|--------------------------|--------|-------------|
| 8   |              |                |      |           |                                 |       |                     |                          |        |             |
| 7   | CONTACT CLIP | PBS STRIP      | 2    | Ag PLATED |                                 |       |                     |                          |        |             |
| 6   | SPRING       | STEEL WIRE     | 1    | NATURAL   | WITHIN 1.5mm : ±0.1mm           | A     | 28-Aug-2012         | 初版                       |        |             |
| 5   | STEEL BALL   | STEEL          | 1    | NATURAL   | OVER 1.5mm : ±0.2mm             |       |                     |                          |        |             |
| 4   | TERMINAL     | BRASS STRIP    | 8    | Ag PLATED |                                 |       |                     |                          |        |             |
| 3   | BASE         | PHENOLIC RESIN | 1    | NATURAL   |                                 |       |                     |                          |        |             |
| 2   | KNOB         | POM            | 1    | BLACK     |                                 |       |                     |                          |        |             |
| 1   | FRAME        | STEEL STRIP    | 1    | Ni PLATED |                                 |       |                     |                          |        |             |
|     |              |                |      |           | TITLE : HORIZONTAL SLIDE SWITCH |       | UNIT : mm           | DRWG NO.: SK23D04        |        |             |
|     |              |                |      |           | MODEL: SK-23D04 (六脚)            |       | SCALE: 3 : 1        | DWN.                     | LUCAS  | 28-Aug-2012 |
|     |              |                |      |           | 深圳市金航标电子有限公司                    |       | www.kinghelm.com.cn |                          | CHEK'D |             |
|     |              |                |      |           | KH-SK23D09-G5                   |       | 0755-28190160       |                          | APPD.  |             |

## X-ON Electronics

Largest Supplier of Electrical and Electronic Components

*Click to view similar products for [Slide Switches](#) category:*

*Click to view products by [Kinghelm](#) manufacturer:*

Other Similar products are found below :

[6-1437581-1](#) [M43R](#) [MHS123K15D](#) [MHS133K](#) [MMD](#) [MSS12A](#) [1825074-1](#) [1825160-3](#) [1825167-2](#) [1825289-7](#) [K232CB](#) [25139NLDB](#)  
[25449NAH](#) [SLB1240R45](#) [1825078-1](#) [1825080-4](#) [1825269-1](#) [1825270-2](#) [STS141RA04](#) [T2215BEN506](#) [GH46P000001](#) [GH49P010001](#)  
[25339NA](#) [25436NLDH](#) [M42A](#) [AYZ0202AG](#) [L203091MS02Q](#) [4-1437581-7](#) [48BFSP3M2QT](#) [1101M1S3ZB8E2](#) [1-1437581-1](#)  
[EG1218REDACTUATOR](#) [MSS42G](#) [T105S1CWZBE](#) [SLB124145](#) [SLB1280R5](#) [TG39W000050](#) [25149NAH](#) [25439NAH](#) [25436NAH6](#)  
[TG36Y000050](#) [SL-1211C1B8](#) [46204LRX](#) [1977143-4](#) [1977144-4](#) [HASS0194](#) [JS0001](#) [SSJ12R04](#) [GR5-1323-0800](#) [GH36Y410001](#)