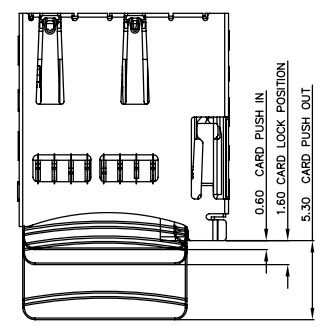
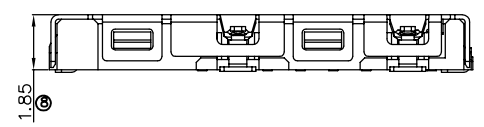


SPECIFICAION:

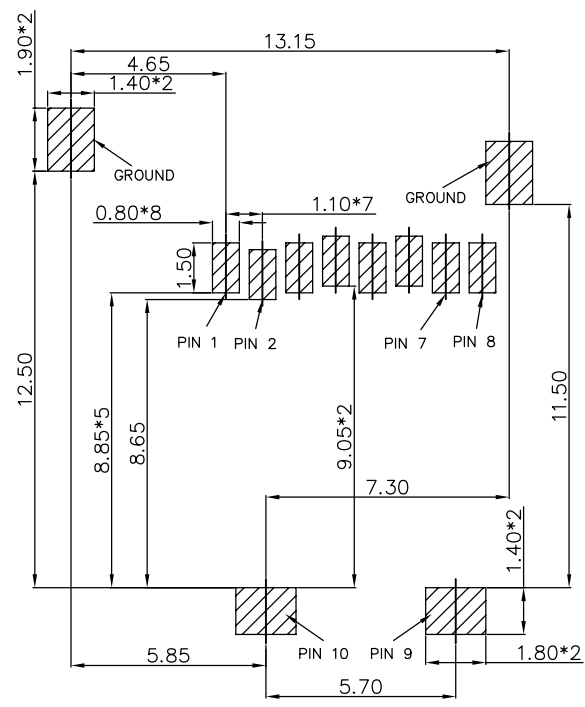
- 1.Electrical characteristics
 - 1.1 Contact current rating: 0.5A Max.
 - 1.2 Contact resistance: 100 milli-Ohm Max.
 - 1.3 Insulation resistance: 250V DC or 300V AC for no less than 1 minute
- 2.Mechanical characteristics
 - 2.1 Mating durability:10000 cycles.
 - 2.2 Insertion force: 2.0Kgf Max.
 - 2.3 Extraction force: 0.5Kgf Min.
- 3.Environmental chacteristics
 - 3.1 Operation temperature range: -25° C to +85° C



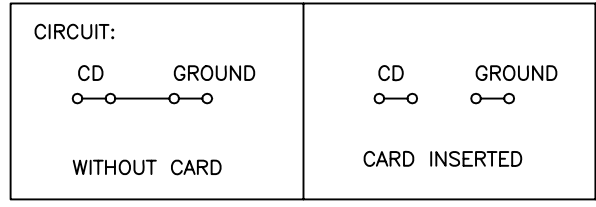
PART. NO. :
MR01-AP4**-**

- 主体胶芯颜色:01 黑色
- 08: 功能区镀金1U", 锡脚Gold Flash
 - 09: 功能区镀金3U", 锡脚Gold Flash
 - 10: 功能区镀金5U", 锡脚Gold Flash
 - 11: 功能区镀金10U", 锡脚Gold Flash
 - 12: 功能区镀金15U", 锡脚Gold Flash

GENERAL TOLERANCE		DWG.NO.	MR01-AP400-00	PART.NO.	MR01-AP4**-**	DRAWN	zgm 2010.11.02	UNIT	mm	SCALE	NO SCALE
x.±0.50	x.°± 5°	REV.	A	TITLE	MICRO SD Push conn.(内焊型)	CHECKED		深圳市金航标电子有限公司		www.kinghelm.com.cn	
.x±0.25	.x°± 2°	SIZE		SHEET		APPROVED	MIKE 20010. 11. 02	KH-TF037		0755-28190160	
.xx±0.15	.xx°± 1°	A4									



RECOMMENDED PCB LAYOUT
(ALL TOLERANCE ARE ±0.05)



Pin No.	MICRO SD
PIN1	DAT2 1P
PIN2	CD/DAT3 2P
PIN3	CMD 3P
PIN4	VDD 4P
PIN5	CLK 5P
PIN6	VSS 6P
PIN7	DAT0 7P
PIN8	DAT1 8P
PIN9	CARD DETECT
PIN10	

GENERAL TOLERANCE	DWG.NO.	MRO1-AP400-00	PART.NO.	MRO1-AP4**-**	DRAWN	zgm 2010.11.02	UNIT	mm	SCALE	NO SCALE
x.±0.50	REV.	A	TITLE	MICRO SD Push conn.(内焊型)	CHECKED		深圳市金航标电子有限公司		www.kinghelm.com.cn	
.x±0.25	SIZE	A4	SHEET		APPROVED	MIKE 20010. 11. 02	KH-TF037		0755-28190160	
.xx±0.15	A4									

X-ON Electronics

Largest Supplier of Electrical and Electronic Components

Click to view similar products for [Memory Card Connectors](#) category:

Click to view products by [Kinghelm](#) manufacturer:

Other Similar products are found below :

[M21-033321-005](#) [6407-249V-25273P](#) [6407-249V-25343P](#) [6426-201-21343](#) [69.920.0553.0](#) [MCR60A-98D-2.54DSA\(70\)](#) [809180410000000](#)
[DM3AT-SF-PEJM5\(41\)](#) [IC11S-BUR-PNEJL\(71\)](#) [252-0144-000](#) [2041353-2](#) [308-DS1P0811-192](#) [HM2P09PDR360N9LF](#) [10014744-011TLF](#)
[11327-001](#) [11327-002](#) [617230001](#) [NX1-32T-KT3K\(05\)](#) [N7E50-U516RB-50-SIN0005](#) [68-580163-21S](#) [125A-78C00](#) [CCM03-3109 B LFT](#)
[2309923-1](#) [61126-050CAHLF](#) [IC1GA-68PD-1.27DS-EJ\(72\)](#) [GTFP08432B1HR](#) [SCE2MSDZN76A121SN](#) [10014744-011ALF](#) [10014744-](#)
[011LF](#) [10057542-1211FLF](#) [10067972-000LF](#) [10067972-050LF](#) [10122302-20110LF](#) [G85D1162022HHR](#) [MUP-C7809-1](#) [NANO SIM 7P](#)
[H1.37](#) [MICRO SIM 7P H1.35](#) [TF-CARD H1.8 SY](#) [MICRO SIM 6P H1.35](#) [TF-CARD H1.8](#) [TF-115Y-BCP9](#) [TF-115YY-ACP9](#) [SMN-309-](#)
[ARP6](#) [TF-115Y-ACP9](#) [TF-108-ARP10](#) [SMN-303S-ACP7](#) [SNO-14100](#) [SD-112S](#) [MUP-C7804-1](#) [KH-TF-07DT](#)