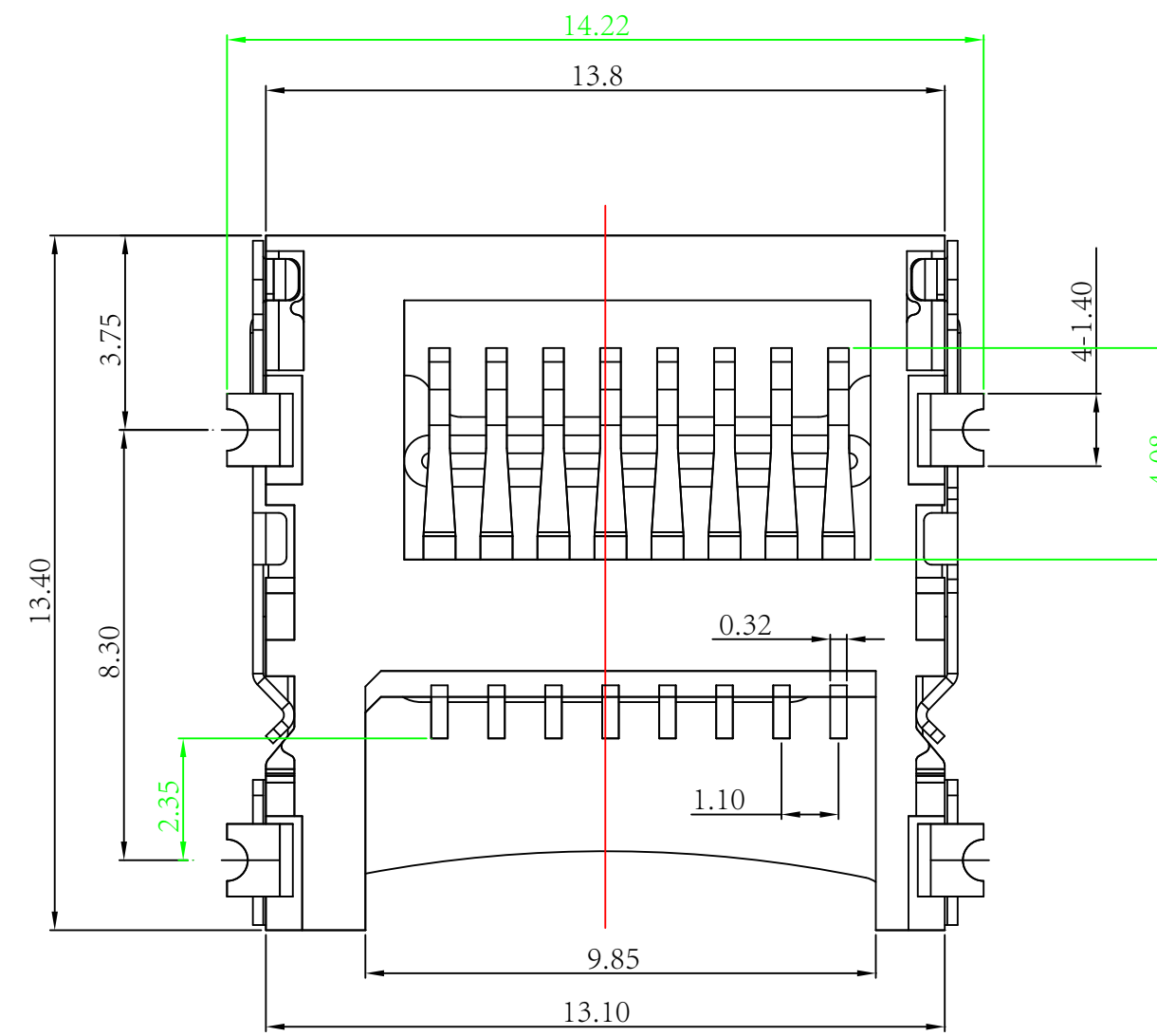
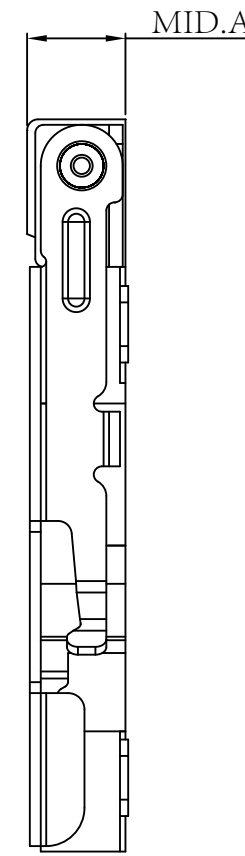
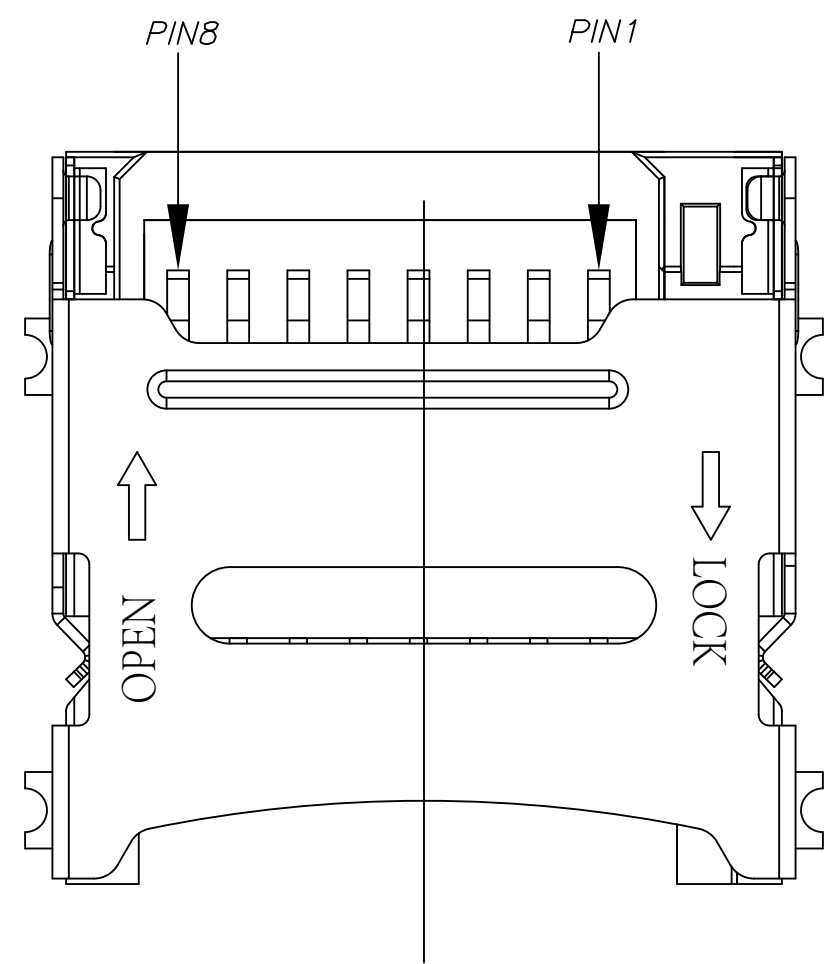


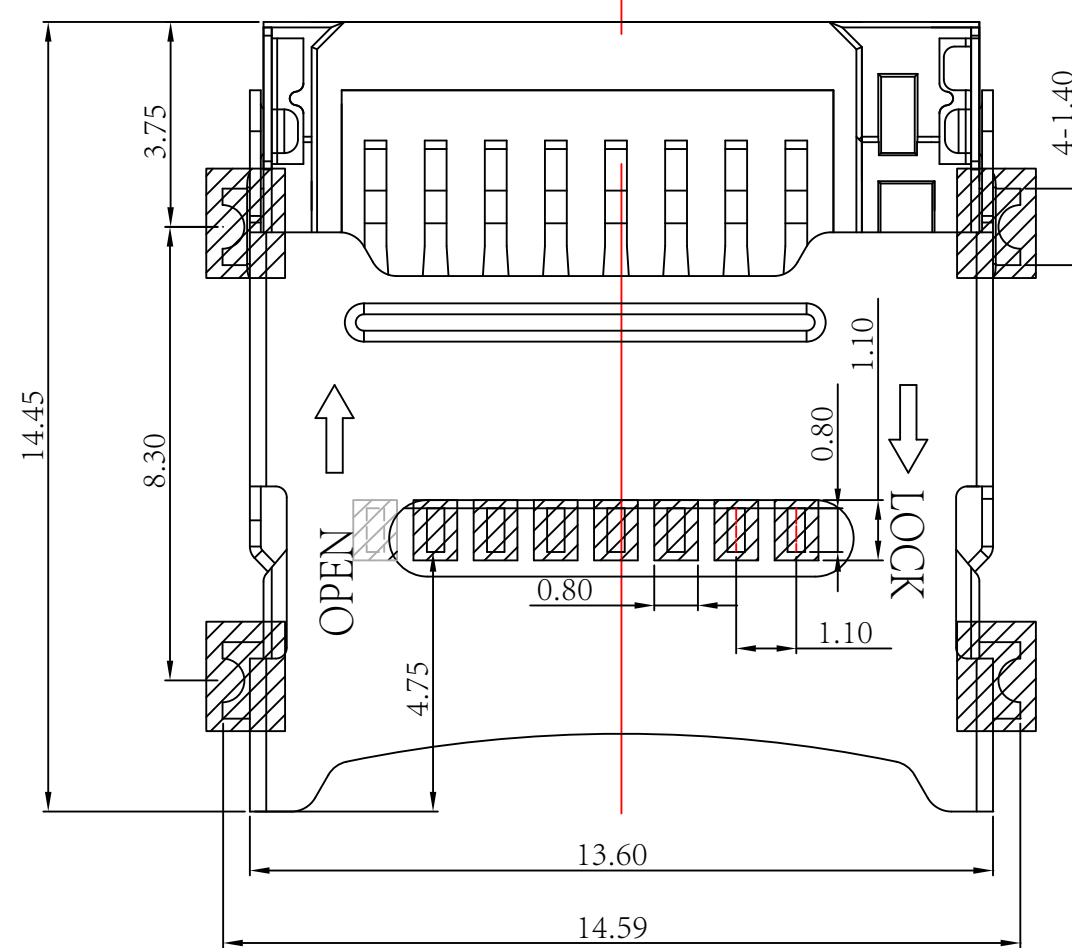
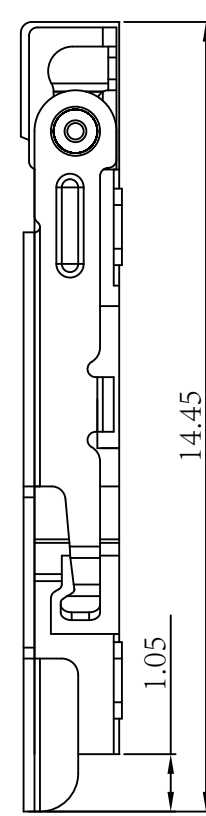
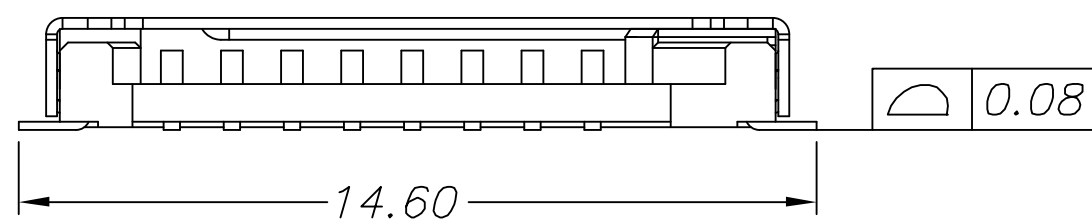
REV.	ZONE	DESCRIPTION	DESIGN	DATE
C			James	11/28-11



DIMENSION INFORMATION

P/N	MID.A
8P	1.8H

SLIDE SHELL OPEN/SLIDE SHELL LOCK



*RECOMMENDED PCB LAYOUT
TOLERANCE ±0.05*

NOTES:

1.MATERIAL:

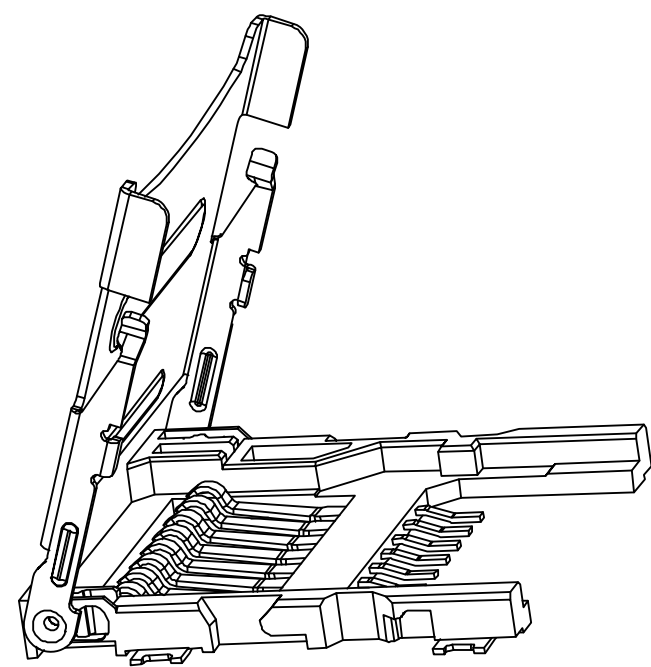
- 1).HOUSING MATERIAL:THERMOPLASTIC UL94V-0;COLOR:BLACK
- 2).CONTACT MATERIAL:COPPER ALLOY,T=0.15mm
- 3).SHELLMATERIAL:STAINLESS STEEL,T=0.20mm

2.FINISH:

- 1).CONTACT FINISH:50u"min.NICKEL UNDER PLATED,PLATED 3u"Au ON CONTACT AREA;TIN-PLATED HIGH-TEMPER ATURR 80u"-120u" ON SOLDER AREA.
- 2).SHELL FINISH:Cleaning.

3.ELECTRICAL SPECIFICATIONS:

- 1).OPERATING VOLTAGE: 250V(AC/DC).
- 2).CURRENT RATING: 0.5A.
- 3).OPERATING TEMPERATURE: -20°C~+65°C.
- 4).INSULATION RESISTANCE: 1000M OHMS min. at 250VDC.
- 5).DIELECTRIC WITHSTANDING VOLTAGE:500VAC/1minute.
- 6).CONTACT RESISTANCE:100m OHMS max.



深圳市金航标电子有限公司

www.kinghelm.com.cn

KH-TF08-H1.8

0755-28190160

Unless otherwise specified tolerances are

X.	±0.25
X.X	±0.20
X.XX	±0.15
X.XXX	±0.10
X°	±2.0°
X.X°	±1.0°

DRAW NO.

FD111128-003

DATE

11/28-11

DWN

ZHANG

CHK

APVD

DRAW NAME:
TF 卡座掀盖式

P/N : 5T08**GS05AR***

Third Angle Project

FINISH

MATERIAL

UNIT

SCALE

REV

SHEET

SEE NOTES

mm

1:1

C

1 OF 1

X-ON Electronics

Largest Supplier of Electrical and Electronic Components

Click to view similar products for [Memory Card Connectors](#) category:

Click to view products by [Kinghelm](#) manufacturer:

Other Similar products are found below :

[M21-033321-005](#) [6407-249V-25273P](#) [6407-249V-25343P](#) [6426-201-21343](#) [69.920.0553.0](#) [MCR60A-98D-2.54DSA\(70\)](#) [809180410000000](#)
[DM3AT-SF-PEJM5\(41\)](#) [IC11S-BUR-PNEJL\(71\)](#) [252-0144-000](#) [2041353-2](#) [308-DS1P0811-192](#) [HM2P09PDR360N9LF](#) [10014744-011TLF](#)
[11327-001](#) [11327-002](#) [617230001](#) [NX1-32T-KT3K\(05\)](#) [N7E50-U516RB-50-SIN0005](#) [68-580163-21S](#) [125A-78C00](#) [CCM03-3109 B LFT](#)
[2309923-1](#) [61126-050CAHLF](#) [IC1GA-68PD-1.27DS-EJ\(72\)](#) [GTFP08432B1HR](#) [SCE2MSDZN76A121SN](#) [10014744-011ALF](#) [10014744-](#)
[011LF](#) [10057542-1211FLF](#) [10067972-000LF](#) [10067972-050LF](#) [10122302-20110LF](#) [G85D1162022HHR](#) [MUP-C7809-1](#) [NANO SIM 7P](#)
[H1.37](#) [MICRO SIM 7P H1.35](#) [TF-CARD H1.8 SY](#) [MICRO SIM 6P H1.35](#) [TF-CARD H1.8](#) [TF-115Y-BCP9](#) [TF-115YY-ACP9](#) [SMN-309-](#)
[ARP6](#) [TF-115Y-ACP9](#) [TF-108-ARP10](#) [SMN-303S-ACP7](#) [SNO-14100](#) [SD-112S](#) [MUP-C7804-1](#) [KH-TF-07DT](#)