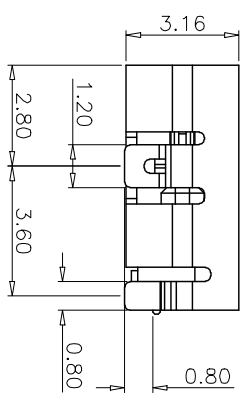
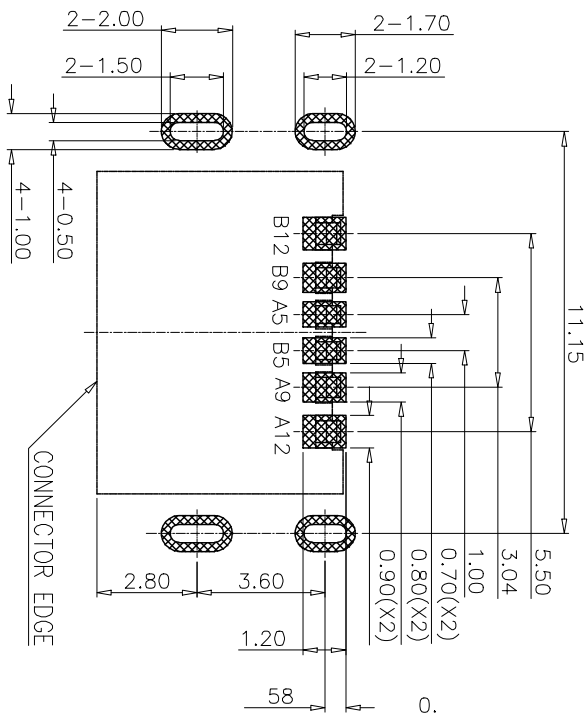
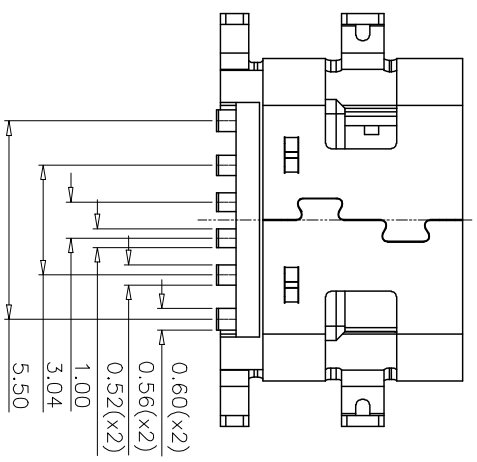
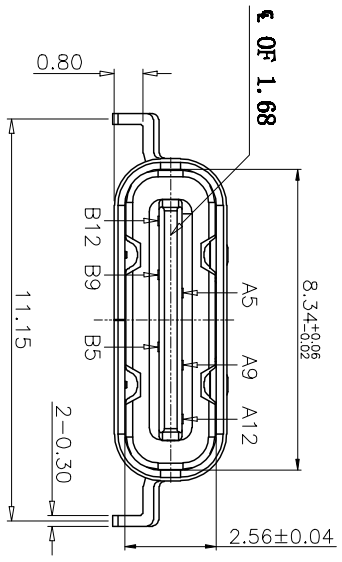
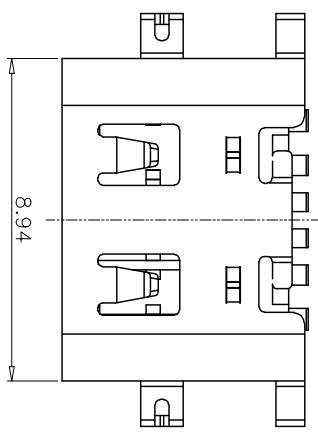


Rev No.	Description of Revision	Date	Name	Approved	ECN No.



RECOMMENDED PCB LAYOUT(TOP VIEW)
THICKNESS: 1.6±0.10MM;DEFAULT TOLERANCE:±0.05

PIN ASSIGNMENTS

PIN	SIGNAL NAME	PIN	SIGNAL NAME
A5	CC1	B12	GND
A9	VBUS	B9	VBUS
A12	GND	B5	CC2

UNLESS OTHERWISE SPECIFIED TOLERANCES		深圳市金航标电子有限公司		WWW.BDS666.COM	
DECIMALS:		KH-TYPE-C-CB0.8-6P-T		0755-83044319	
ANGLES		TITLE: TYPE-C 6Pin 沉板0.80mm			
X. ±0.20	X'. ±2'	Dr'dwn JACKET LI	PART NO.	UNIT: mm	PROJ:
X.X ±0.15	X.X' ±1'	Checked: PETER.LIU	SCALE: 1:8	UNIT: mm	REV:
X.XX ±0.10	X.XX' ±0.5'	Approved: JACK.D	SIZE: A4	SHEET: 1 OF 1	REV: A
X.XXX ±0.05			CUSTOMER COPY		

- NOTE:
- MATERIAL SPECIFICATION: 1.HOUSING:HIGH TEMPERATURE RESISTANT PLASTIC;UL94 V-0. 2.CONTACTS: COPPER ALLOY 3.MID PLATE: STAINLESS STEEL 4.FRONT SHELL: STAINLESS STEEL
 - PLATING SPECIFICATION: 2-1.CONTACTS: Ni 50u" MIN. UNDER PLATED OVER ALL. Au PLATED ON THE FUNCTIONAL AREA OF CONTACT. (GOLD PLATING THICKNESS FOLLOW THE P/N) PLATING SPECIFICATIONS OF THE SOLDER AREA FOLLOW THE P/N
 - MECHANICAL PERFORMANCE: 2-2.FRONT SHELL: SEE TABLE1. 2-3.SHIELD PLATE&EMI PLATE: CLEAR ONLY 3-1.INSERTION FORCE: 0.5~2.0kgf. 3-2.REMOVAL FORCE: 0.8kgf~2.0kgf. 3-3.DURABILITY: 10000 CYCLES.
 - ELECTRICAL PERFORMANCE: 4-1. CURRENT RATING:5.0A VOLTAGE RATING:5.0V 4-2. ILCR: VBUS & GND PINS AND OTHER PINS: 40mΩ/PIN MAX. SHIELD: 50mΩ/MAX. ILCR MAX. CHANGE OF ALL PINS: 10mΩ. 4-3.INSULATION RESISTANCE: 100MΩ MIN 4-4.DIELECTRIC WITHSTAND VOLTAGE:AC 100V FOR 1 MINUTE.
 - ENVIRONMENTAL PERFORMANCE: OPERATING TEMPERATURE: -25°C~+85°C. 6.IR REFLOW: THE PEAK TEMPERATURE ON THE BOARD SHALL BE MAINTAINED FOR 10 SECONDS AT 260°C.

X-ON Electronics

Largest Supplier of Electrical and Electronic Components

Click to view similar products for [USB Connectors](#) category:

Click to view products by [Kinghelm](#) manufacturer:

Other Similar products are found below :

[950](#) [A-USB A-LP-SMT-C](#) [A-USB B-TOP-C](#) [MUSBD11135](#) [17-200721](#) [217450-1](#) [KMBVX-TH-5S-B30](#) [KUSBX-AS2N-W](#) [KUSBX-SMT2AP1S-W30](#) [935](#) [957](#) [30-498-6](#) [SK-60A-2](#) [1734082-1](#) [30-470](#) [30-489](#) [30-541](#) [MAB 5 S](#) [A-USB A-2P-C](#) [MIKROE-1451](#)
[USBFTVSCCG](#) [1-1734084-2](#) [MUSBA81130](#) [NK-27-32SL](#) [NK-L8-22C-5/8](#) [10135326-001LF](#) [4198](#) [690-024-633-031](#) [UB-20PMFP-LC7001](#)
[17-200011](#) [UB-20AFMM-LL7A01](#) [CAP-WCCMLPB1](#) [CAP-WCCMLPC1](#) [2274475-3](#) [914-614A2025S10200](#) [USB3FTV7SAGF059](#)
[USB3FTV2SAZNF459](#) [USB3FTV7SAZNF459](#) [U221-041N-1WVS62-F5D](#) [HYCW153-USBD05-500B](#) [HYCW219-USBD05-075B](#)
[HYCW148-USBD05-117B](#) [HYCW149-USBD05-740B](#) [HYCW204-USBD05-108B](#) [HYCW214-USBA04-113B](#) [HYCW213-USBA04-113B](#)
[KMMX-BSMT35S-1-B30TR](#) [2345986-1](#) [10082141-N340LF](#) [10117836-011LF](#)