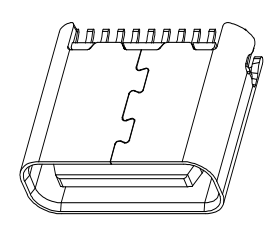
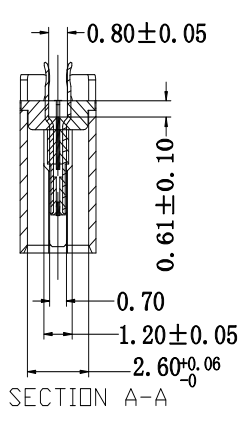
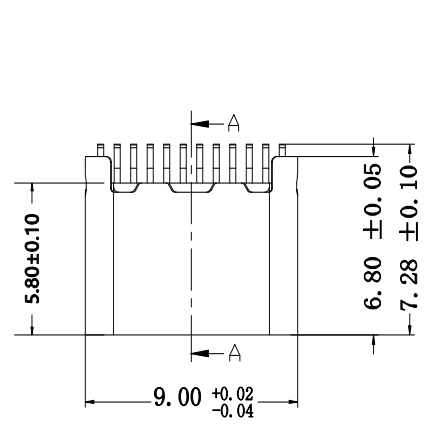
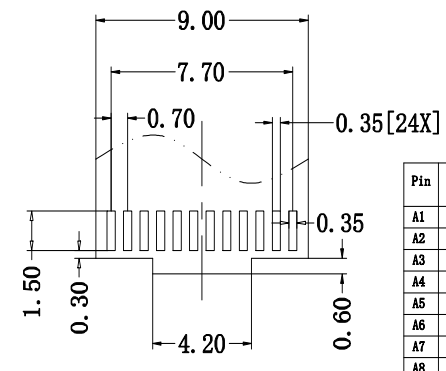
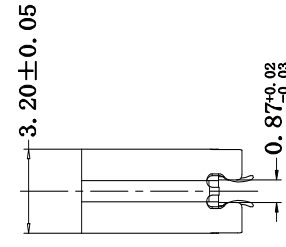
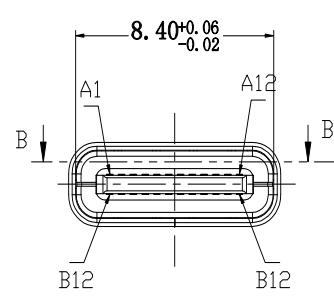


REV.	DESCRIPTION	SIGN	DATE
A	NEW	Fred.T	19/08/15

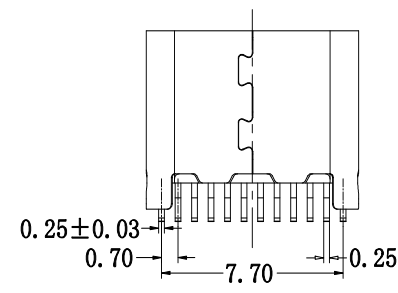
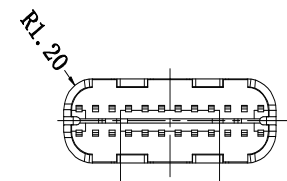
RoHS Compliant **Halogen Free**



备注:
1. 材质:
 1.1 胶芯: LCP+30%G.F UL94V-0
 1.2 端子: 磷铜, T=0.15mm; 镀底80μ, 镀金1μ
 1.3 接地片: 不锈钢, T=0.15mm; 表面镀镍50μ
 1.4 外壳: 不锈钢, T=0.30mm; 表面镀镍100μ
2. 主要特性:
 2.1 额定电流: 3.0A
 2.2 接触阻抗: 40mΩ MAX
 2.3 绝缘阻抗: 100MΩ MIN 250V DC
 2.4 耐压测试: 100V AC
 2.5 沾锡性: 温度250±5℃, 时间5±0.5s
 2.6 整体插入力: 2.0kgf MAX
 整体拔出力: 0.6kgf MIN
 2.7 使用寿命: 10000次
 2.8 工作温度: -30℃~+80℃



Pin	Signal Name	Mating Sequence	Pin	Signal Name	Mating Sequence
A1	GND	First	B12	GND	First
A2	SSTXp1	Second	B11	SSRXp1	Second
A3	SSTXn1	Second	B10	SSRXn1	Second
A4	Vss	First	B9	Vss	First
A5	CC1	Second	B8	SBU2	Second
A6	Dp1	Second	B7	Dn2	Second
A7	Dn1	Second	B6	Dp2	Second
A8	SBU1	Second	B5	CC2	Second
A9	Vss	First	B4	Vss	First
A10	SSRXn2	Second	B3	SSTXn2	Second
A11	SSRXp2	Second	B2	SSTXp2	Second
A12	GND	First	B1	GND	First
SHELL	GND		SHELL	GND	



UNLESS OTHERWISE, GENERAL TOLERANCE: X.xxx ±0.10 X.xx ±0.20 X.x ±0.30 X. ±0.38 ANGULAR: X.xx ±1° X.x ±3° X. ±5°	NAME (INTENDED USE)	深圳市金航标电子有限公司		WWW.BDS666.COM		
	CUSTOMER DRAWING	KH-TYPE-C-JB0.8-24P		0755-83044319		
	THESE DRAWINGS AND SPECIFICATIONS ARE THE PROPERTY OF HUI YI TECHNOLOGY CO., LTD AND SHALL NOT BE REPRODUCED COPIED OR USED IN ANY MANNER WITHOUT THE PRIOR WRITTEN CONSENT OF HUI YI TECHNOLOGY CO., LTD	TITLE:	USB 3.1 C TYPE 夹板式		P/N:	
		THIRD ANGLE PROJECTION	UNIT:	SCALE:	SIZE:	SHEET:
	mm	1:1	A4	1/2		

X-ON Electronics

Largest Supplier of Electrical and Electronic Components

Click to view similar products for [USB Connectors](#) category:

Click to view products by [Kinghelm](#) manufacturer:

Other Similar products are found below :

[950](#) [A-USB A-LP-SMT-C](#) [A-USB B-TOP-C](#) [MUSBD11135](#) [17-200721](#) [217450-1](#) [KMBVX-TH-5S-B30](#) [KUSBX-AS2N-W](#) [KUSBX-SMT2AP1S-W30](#) [935](#) [957](#) [30-498-6](#) [SK-60A-2](#) [1734082-1](#) [30-470](#) [30-489](#) [30-541](#) [MAB 5 S](#) [A-USB A-2P-C](#) [MIKROE-1451](#)
[USBFTVSCCG](#) [1-1734084-2](#) [MUSBA81130](#) [NK-27-32SL](#) [NK-L8-22C-5/8](#) [10135326-001LF](#) [4198](#) [690-024-633-031](#) [UB-20PMFP-LC7001](#)
[17-200011](#) [UB-20AFMM-LL7A01](#) [CAP-WCCMLPB1](#) [CAP-WCCMLPC1](#) [2274475-3](#) [914-614A2025S10200](#) [USB3FTV7SAGF059](#)
[USB3FTV2SAZNF459](#) [USB3FTV7SAZNF459](#) [U221-041N-1WVS62-F5D](#) [HYCW153-USBD05-500B](#) [HYCW219-USBD05-075B](#)
[HYCW148-USBD05-117B](#) [HYCW149-USBD05-740B](#) [HYCW204-USBD05-108B](#) [HYCW214-USBA04-113B](#) [HYCW213-USBA04-113B](#)
[KMMX-BSMT35S-1-B30TR](#) [2345986-1](#) [10082141-N340LF](#) [10117836-011LF](#)