

CUSTOMER DRAWING

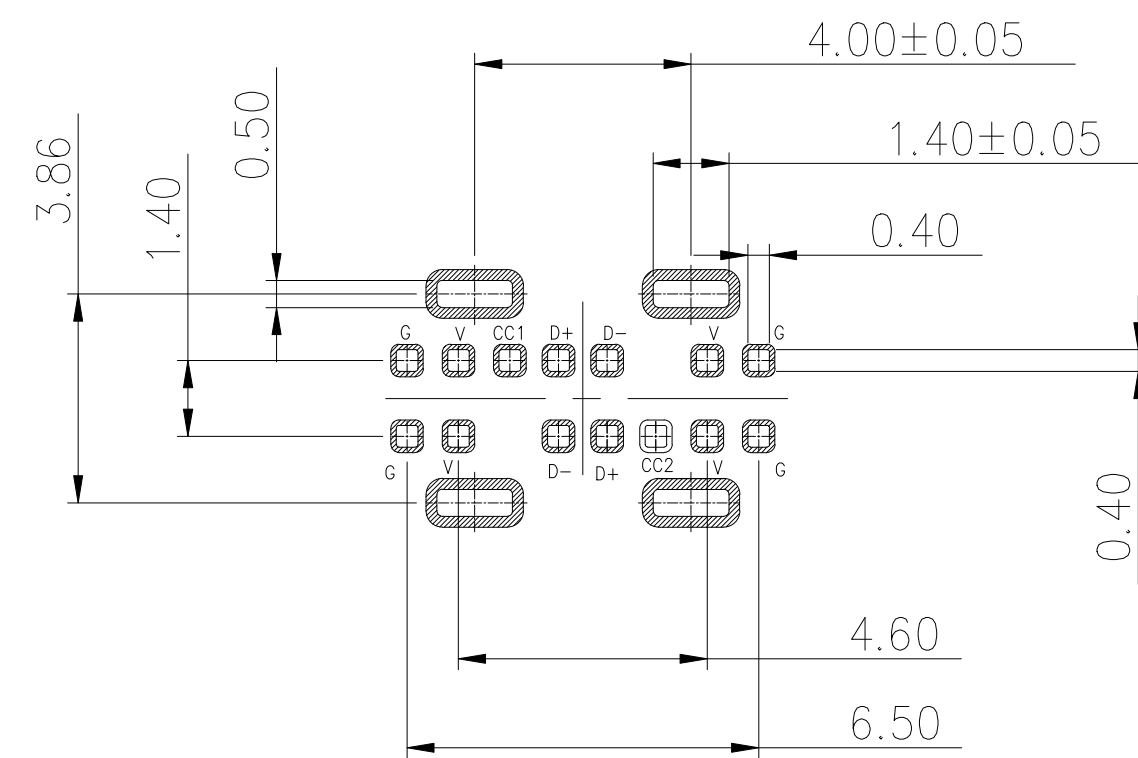
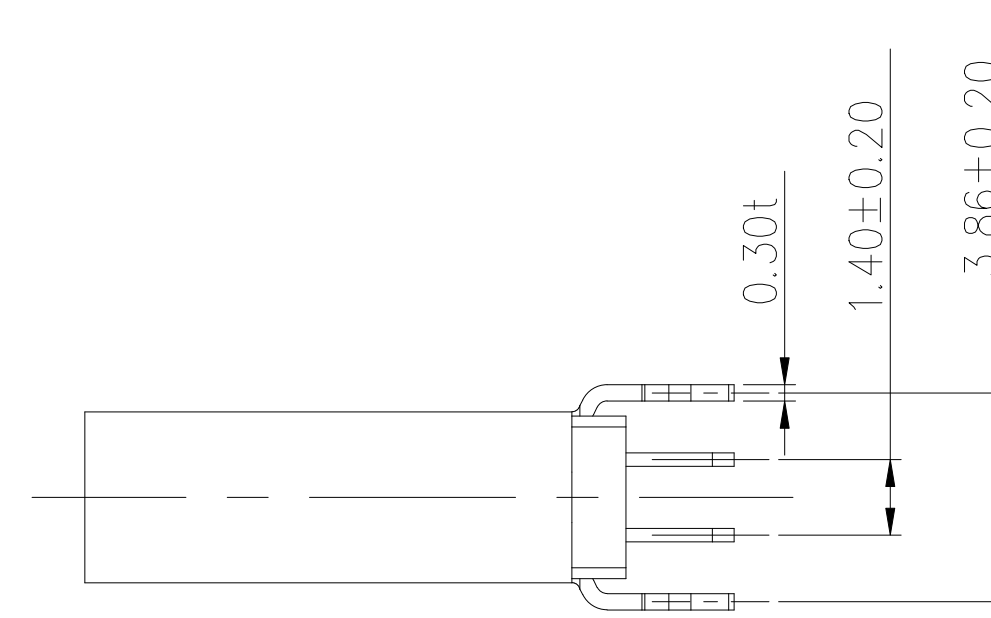
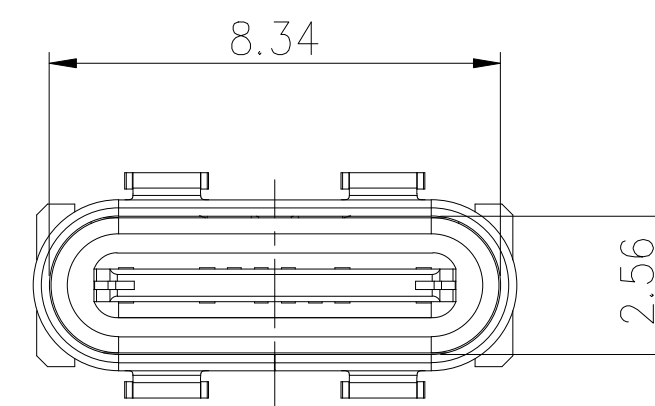
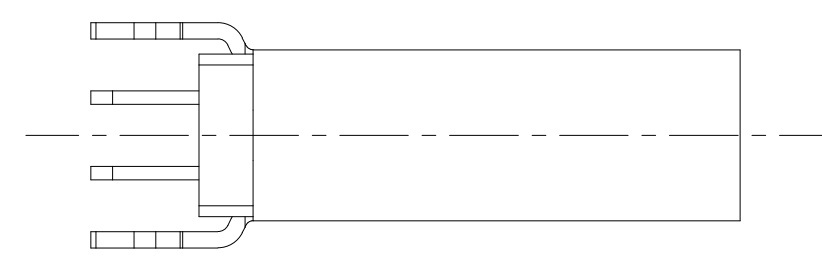
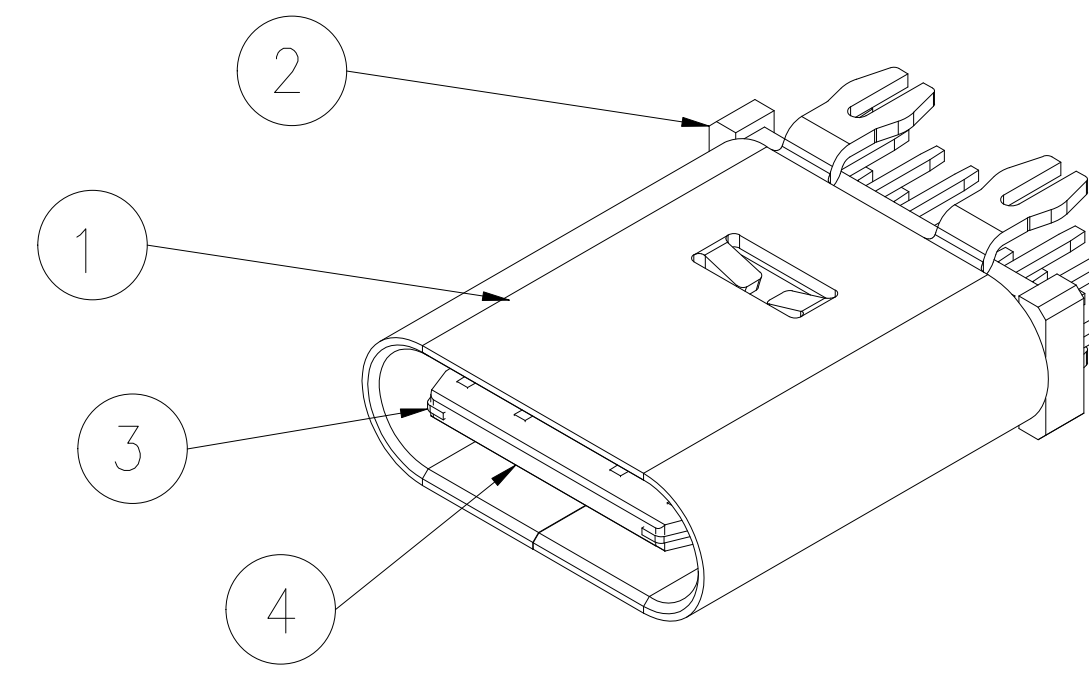
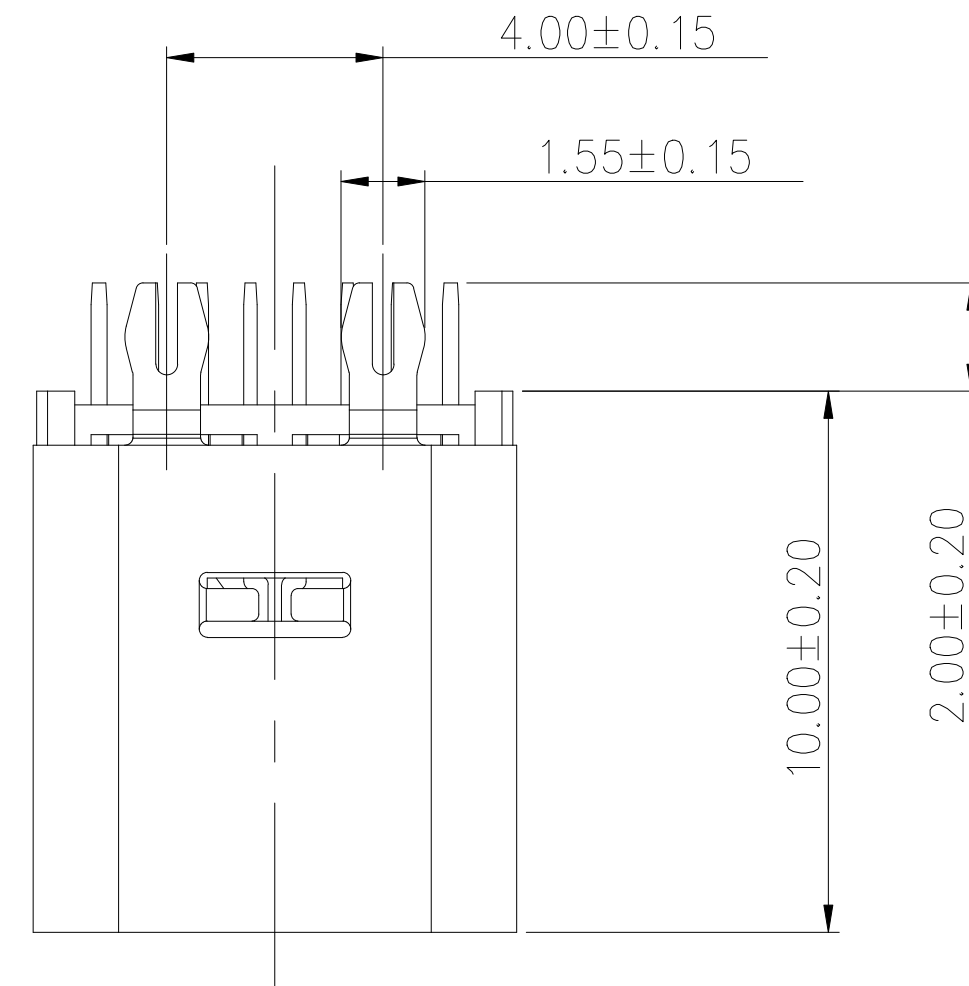
NOTE :
UT03FD014SX01ZA—
1

1. Seletive Plating
- S1: 5u" Gold In Contact Area
100u" Tin In Tail Area
- S2: 0.8u" Gold In Contact Area
100u" Tin In Tail Area
- S3: 10u" Gold In Contact Area
100u" Tin In Tail Area
- S4: 15u" Gold In Contact Area
100u" Tin In Tail Area
- S5: 30u" Gold In Contact Area
100u" Tin In Tail Area

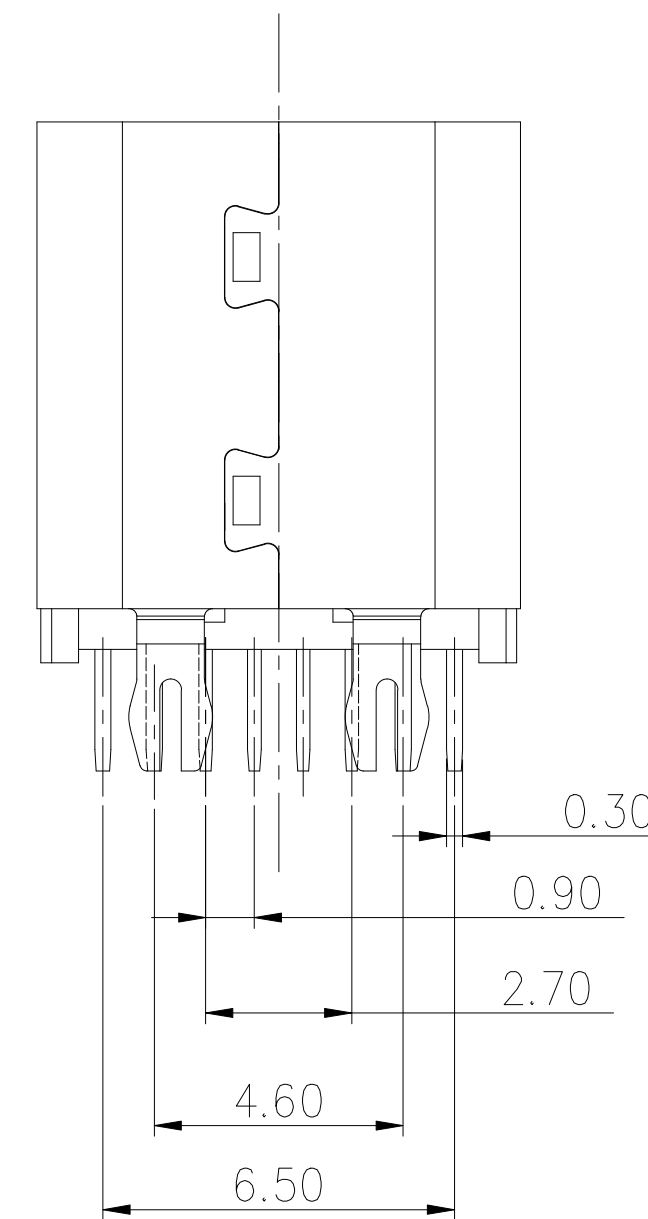
- SPECIFICATION:
1. CURRENT RATING: 5.0A MAX
 2. Withstanding Voltage: 100V AC
 3. TEMPERATURE RANGE: -30 °C ~ 85 °C
 4. CONTACT RESISTANCE: 40 MILLIONHM MAX
 5. INSULATION RESISTANCE: 100 MEGOHMS
 6. LNSERTION FORCE : 5N~20N
 7. UNMATING FORCE: 8N~20N (1~1000次)
6N~20N (10000次之后)
 8. DURABILITY: 10,000 CYCLES

7				
6				
5				
4	TYPE C MD	HIGH TEMP	BLACK	UL 94V-0
3	CENTER PIECE	STAINLESS STEEL	—	NO Plated
2	TYPE C TERMINAL	COPPER ALLOY	—	Gold Plated
1	SHELL	STAINLESS STEEL	—	Ni Plated
NO.	DESCRIPTION	MATERIAL	COLOR	REMARK

深圳市金航标电子有限公司 WWW.BDS666.COM
KH-TYPE-C-L10-14P 0755-83044319



RECOMMENDED P.C.B. LAYOUT
TOLERANCE UNSPECIFIED ±0.05mm



						30~	±0.50	DRAW	PART NO.	UT03FD014SX01ZA						
						10~ 30	±0.30	DESIGN	DRAW MANE	TTYPE C 2.0母座14PIN 180度插板						
						~ 10	±0.15	CHECK	DRAW NO.	RDA170830-001		REV.	PA			
ECN (DCN) NO.	REV.	DESCRIPTION	DATE	CHANGE	APPRO.	ANGLES	±2°	APPRO.	UNIT	mm	SCALE	1:1	PAGE	1of1	VIEW	

X-ON Electronics

Largest Supplier of Electrical and Electronic Components

Click to view similar products for [USB Connectors](#) category:

Click to view products by [Kinghelm](#) manufacturer:

Other Similar products are found below :

[950](#) [A-USB A-LP-SMT-C](#) [A-USB B-TOP-C](#) [MUSBD11135](#) [17-200721](#) [217450-1](#) [KMBVX-TH-5S-B30](#) [KUSBX-AS2N-W](#) [KUSBX-SMT2AP1S-W30](#) [935](#) [957](#) [30-498-6](#) [SK-60A-2](#) [1734082-1](#) [30-470](#) [30-489](#) [30-541](#) [MAB 5 S](#) [A-USB A-2P-C](#) [MIKROE-1451](#)
[USBFTVSCCG](#) [1-1734084-2](#) [MUSBA81130](#) [NK-27-32SL](#) [NK-L8-22C-5/8](#) [10135326-001LF](#) [4198](#) [690-024-633-031](#) [UB-20PMFP-LC7001](#)
[17-200011](#) [UB-20AFMM-LL7A01](#) [CAP-WCCMLPB1](#) [CAP-WCCMLPC1](#) [2274475-3](#) [914-614A2025S10200](#) [USB3FTV7SAGF059](#)
[USB3FTV2SAZNF459](#) [USB3FTV7SAZNF459](#) [U221-041N-1WVS62-F5D](#) [HYCW153-USBD05-500B](#) [HYCW219-USBD05-075B](#)
[HYCW148-USBD05-117B](#) [HYCW149-USBD05-740B](#) [HYCW204-USBD05-108B](#) [HYCW214-USBA04-113B](#) [HYCW213-USBA04-113B](#)
[KMMX-BSMT35S-1-B30TR](#) [2345986-1](#) [10082141-N340LF](#) [10117836-011LF](#)