

1

2

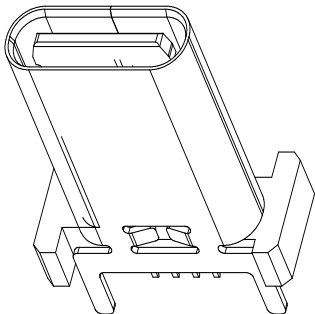
3

4

5

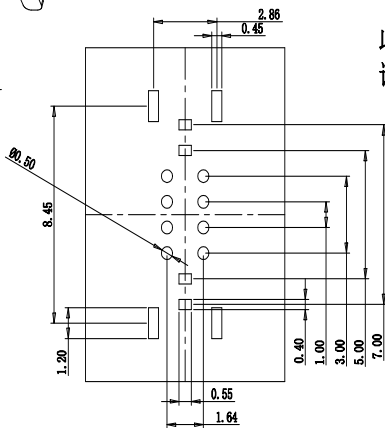
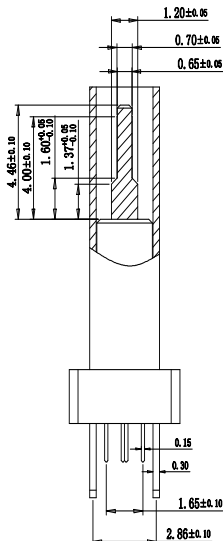
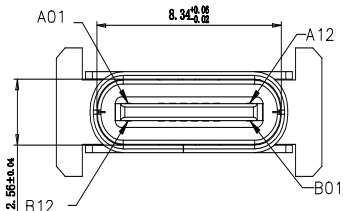
6

REV.	BCN NO OR DESCRIPTION	REVISED	DATE
A	PROPOSE ONLY	ERIC	2018.03.13

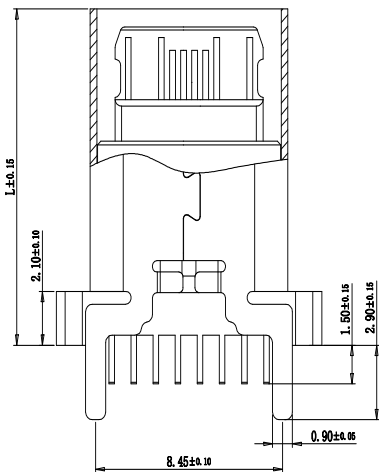
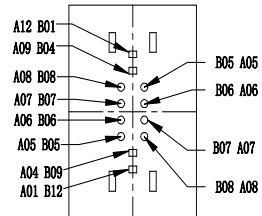


SPECIFICATIONS:

- ELECTRICAL CHARACTERISTICS:
 - CONTACT RESISTANCE: 30m MAX. Ω
 - DIELECTRIC WITHSTANDING VOLTAGE: 100V AC FOR ONE MINUTE.
 - INSULATION RESISTANCE: 100M MIN. MEASURED BY 500 VDC
- MECHANICAL CHARACTERISTICS:
 - INSERTION FORCE :0.5-2.0kgf (REF.)
 - WITHDRAWAL FORCE :0.8-2.0kgf (REF.)
- LIFE TEST: 10,000 CYCLES.
- TO CONFORM TO THE ROHS HAZARDOUS SUBSTANCE FREE SPEC.



此产品已经申请专利
请谨慎模仿



RECOMMENDED P.C.B. LAYOUT (T:1.00mm)
TOLERANCE UNSPECIFIED ±0.05mm

L= MM							
9.30	10.00	10.50	12.40	13.10	13.70	15.00	17.50

6	SHELL	STAINLESS STEEL	Ni Plated	1PCS
5	SHIELDING PLATE	STAINLESS STEEL	---	1PCS
4	MD	HIGH TEMPERATURE PLASTIC	BLACK	1PCS
3	CONTACT	COPPER ALLOY	Au/Ni Plated	1SET
2	CONTACT	COPPER ALLOY	Au/Ni Plated	1SET
1	HOUSING	HIGH TEMPERATURE PLASTIC	BLACK	1PCS
NO.	DESCRIPTION	MATERIAL	REMARKS	QTY
UNLESS OTHERWISE SPECIFIED TOLERANCES		深圳市金航标电子有限公司		WWW.BDS666.COM
DECIMALS:		KH-TYPE-C-L13.7-16P		0755-83044319
ANGLES:		TITLE		TYPE-C 母16PIN 180度 插板
X	:±0.5	X	:±2°	DIN
X.X	:±0.10	X.X	:±1°	CHD
X.IX	:±0.05	SCALE: 1:1		UNIT: mm
X.IXX	:±0.02	SIZE: A4		SHEET: 10P1
CUSTOMER COPY				

A1	GD	B12	GD
A4	VBIS	B9	VBIS
A5	CC1	B8	SR2
A6	DP1	B7	DR2
A7	DM1	B6	DP2
A8	SR1	B5	CC2
A9	VBIS	B4	VBIS
A12	GD	B1	GD
PN	SIGNAL NAME	PN	SIGNAL NAME

1

2

3

4

5

6

D

D

X-ON Electronics

Largest Supplier of Electrical and Electronic Components

Click to view similar products for [USB Connectors](#) category:

Click to view products by [Kinghelm](#) manufacturer:

Other Similar products are found below :

[950](#) [MUSBD11135](#) [17-200721](#) [217450-1](#) [KMBVX-TH-5S-B30](#) [KUSBX-AS2N-W](#) [KUSBX-SMT2AP1S-W30](#) [935](#) [957](#) [30-498-6](#) [SK-60A-2](#)
[1734082-1](#) [30-470](#) [30-489](#) [30-541](#) [A-USB A-2P-C](#) [MIKROE-1451](#) [USBFTVSCCG](#) [1-1734084-2](#) [10135326-001LF](#) [4198](#) [USB-A-D-VT](#)
[USB-A-S-RA-TSMT](#) [1310-1023-02](#) [690-024-633-031](#) [UB-20PMFP-LC7001](#) [17-200011](#) [UB-20AFMM-LL7A01](#) [1040870124](#) [CAP-](#)
[WCCMLPB1](#) [CAP-WCCMLPC1](#) [2274475-3](#) [UB-20BMFA-SL8001](#) [914-614A2025S10200](#) [USB3FTV7SAGF059](#) [ZX40-B-5S-1500-](#)
[STDA\(30\)](#) [GSB3116344HR](#) [USB3FTV2SAZNF459](#) [USB3FTV7SAZNF459](#) [U221-041N-1WVS62-F5D](#) [HYCW153-USBD05-500B](#)
[HYCW219-USBD05-075B](#) [HYCW148-USBD05-117B](#) [HYCW149-USBD05-740B](#) [HYCW204-USBD05-108B](#) [HYCW214-USBA04-113B](#)
[HYCW213-USBA04-113B](#) [UB-20AMFM-SL7A01](#) [KMMX-BSMT35S-1-B30TR](#) [2345986-1](#)