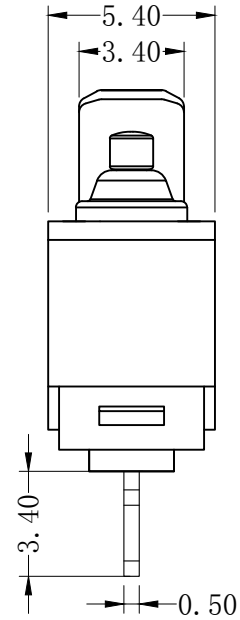
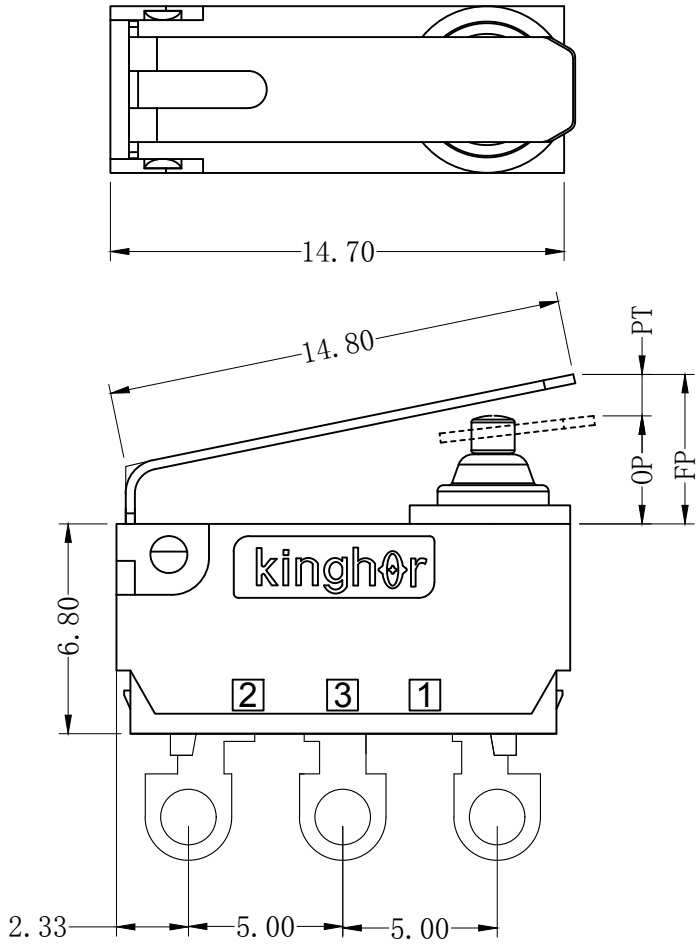


REV	MARK	DESCRIPTION	DRAFTED. BY	DATE

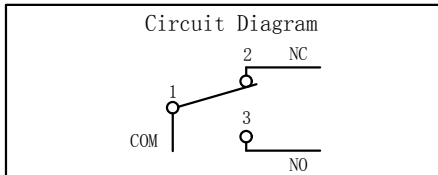


CHARACTERISTICS	
OPERATING FORCE (OF):	195gf Max.
RELEASE FORCE (RF):	25gf Min.
OPERATING POSITION:	3.7 ± 0.6 mm.
PRE TRAVEL:	3.5mm Max.
DIFFERENTIAL TRAVEL:	0.6mm Max.
FREE POSITION:	6.8mm Max.

ELECTRICAL DATA	
<b>RATING</b>	<b>OPERATING LIFE</b>
3A 12VDC	100,000 CYCLES
0.1A 48VDC 125/250VAC	100,000 CYCLES

<b>MECHANICAL LIFE</b>	<b>500,000 CYCLES</b>
<b>GAP TYPE</b>	<b>MICRO</b>
<b>OPERATING TEMP</b>	<b>-40°C ~ +85°C</b>
<b>WATERPROOF</b>	<b>IP67(Except terminal)</b>

OUTLINE DRAWING				TOLERANCE UNLESS OTHERWISE SPECIFIED														
<b>TITLE</b>	<b>H3 SERIES MICRO SWITCH</b>			≤3	1~3	3~10	10~30	30~100	100~200	ANGLE								
<b>MODEL</b>	<b>H3-A1</b>			±0.2	±0.3	±0.4	±0.6	±1.0	±1.5	±3.0°								
<b>PART NO.</b>	<b>H3-A1-1D02B</b>																	
<b>DRAFTED BY</b>	Bing Wang	<b>DATE</b>	2020-6-15															
<b>CHECKED BY</b>	Hua Bai	<b>DATE</b>	2020-6-15															
<b>APPROVED BY</b>	Hong Chen	<b>DATE</b>	2020-6-15	<table border="1"> <thead> <tr> <th>SCALE</th> <th>UNIT</th> <th>VERSION</th> <th>REV</th> </tr> </thead> <tbody> <tr> <td> </td> <td>mm</td> <td> </td> <td>A1</td> </tr> </tbody> </table>							SCALE	UNIT	VERSION	REV		mm		A1
SCALE	UNIT	VERSION	REV															
	mm		A1															



**KINGHOR**  
SWITCHES AND CONTROL EXPERT

## X-ON Electronics

Largest Supplier of Electrical and Electronic Components

*Click to view similar products for [Basic / Snap Action Switches](#) category:*

*Click to view products by [Kinghor](#) manufacturer:*

Other Similar products are found below :

[5SM901-S12](#) [5SM9-S12N195](#) [602EN532](#) [602EN535-RB](#) [602HE5-RB1](#) [604HE223-6B](#) [624HE17-RB](#) [6HM82](#) [6SE1](#) [6SX1-H58](#) [71051](#) [714-0293](#) [MBH2731](#) [79211923](#) [79218589](#) [MIL30126AB6BBMD4A12XAU](#) [ML-1155](#) [ML-1376](#) [831010C3.0](#) [831090C2.EL](#) [83131904](#) [84212012](#) [8AS239](#) [8HM73-3](#) [8SX26-H33](#) [914CE1-6G](#) [11SM1077-H4](#) [11SM1077-H58](#) [11SM1-TN107](#) [11SM405](#) [11SM703-T](#) [11SM8423-H2](#) [11SX37-T](#) [11SX48-H58](#) [11SM2442-T](#) [11SM76-T](#) [11SM77-H58](#) [11SM77-T](#) [11SM863-T](#) [11SM866](#) [121EN188-R](#) [1245.0120](#) [125EN56-RB](#) [D433V3RD](#) [1267.0101](#) [1267.7101](#) [D4BFC1](#) [12SM4-T2](#) [12SX2-T2](#) [1298.0101](#)