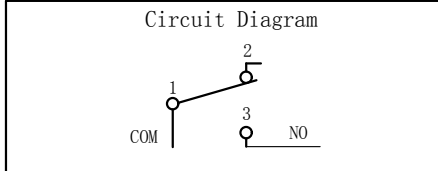
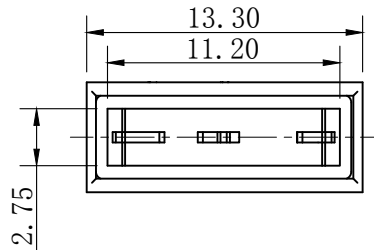
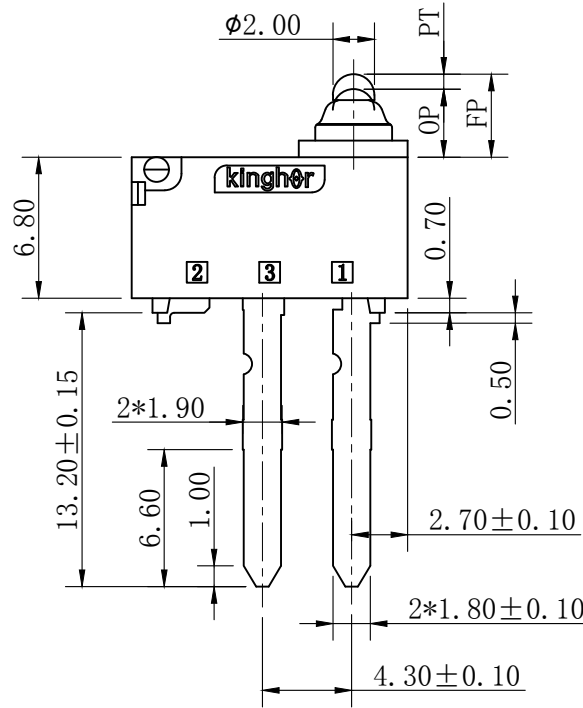
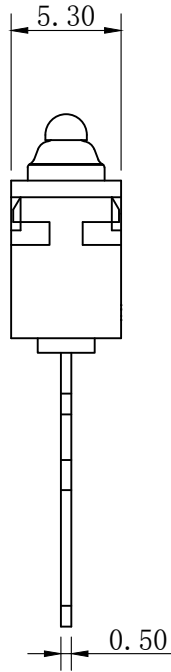


| REV | MARK | DESCRIPTION | DRAFTED. BY | DATE |
|-----|------|-------------|-------------|------|
|     |      |             |             |      |
|     |      |             |             |      |
|     |      |             |             |      |



| CHARACTERISTICS       |                 |
|-----------------------|-----------------|
| OPERATING FORCE (OF): | 130gf Max.      |
| RELEASE FORCE (RF):   | 30gf Min.       |
| OPERATING POSITION:   | 3.40 ± 0.30 mm. |
| PRE TRAVEL:           | 1.30mm Max.     |
| DIFFERENTIAL TRAVEL:  | 0.25mm Max.     |
| OVER TRAVEL:          | 0.6mm Min.      |

| ELECTRICAL DATA |                |
|-----------------|----------------|
| RATING          | OPERATING LIFE |
| 3A 12VDC        | 100,000 CYCLES |

|                 |                |
|-----------------|----------------|
| MECHANICAL LIFE | 500,000 CYCLES |
| GAP TYPE        | MICRO          |
| OPERATING TEMP. | -40°C ~ +85°C  |
| WATERPROOF      | IP67           |

| OUTLINE DRAWING |                        |      |           |
|-----------------|------------------------|------|-----------|
| TITLE           | H3 SERIES MICRO SWITCH |      |           |
| MODEL           | H3-D1                  |      |           |
| PART NO.        | H3-D1-1B00T            |      |           |
| DRAFTED BY      | Bing Wang              | DATE | 2020-7-21 |
| CHECKED BY      | Hua Bai                | DATE | 2020-7-21 |
| APPROVED BY     | Hong Chen              | DATE | 2020-7-21 |

| TOLERANCE UNLESS OTHERWISE SPECIFIED |      |      |       |        |         |       |    |
|--------------------------------------|------|------|-------|--------|---------|-------|----|
| ≤3                                   | 1~3  | 3~10 | 10~30 | 30~100 | 100~200 | ANGLE |    |
| ±0.2                                 | ±0.3 | ±0.4 | ±0.6  | ±1.0   | ±1.5    | ±3.0° |    |
|                                      |      |      |       |        |         | SCALE | /  |
|                                      |      |      |       |        |         | UNIT  | mm |
| VERSION REV                          |      |      |       |        |         | A1    |    |
|                                      |      |      |       |        |         |       |    |
| SWITCHES AND CONTROL EXPERT          |      |      |       |        |         |       |    |

## X-ON Electronics

Largest Supplier of Electrical and Electronic Components

*Click to view similar products for [Basic / Snap Action Switches](#) category:*

*Click to view products by [Kinghor](#) manufacturer:*

Other Similar products are found below :

[5SM901-S12](#) [5SM9-S12N195](#) [602EN532](#) [602EN535-RB](#) [602HE5-RB1](#) [604HE223-6B](#) [624HE17-RB](#) [6HM82](#) [6SE1](#) [6SX1-H58](#) [71051](#) [714-0293](#) [MBH2731](#) [79211923](#) [79218589](#) [MIL30126AB6BBMD4A12XAU](#) [ML-1155](#) [ML-1376](#) [831010C3.0](#) [831090C2.EL](#) [83131904](#) [84212012](#) [8AS239](#) [8HM73-3](#) [8SX26-H33](#) [914CE1-6G](#) [11SM1077-H4](#) [11SM1077-H58](#) [11SM1-TN107](#) [11SM405](#) [11SM703-T](#) [11SM8423-H2](#) [11SX37-T](#) [11SX48-H58](#) [11SM2442-T](#) [11SM76-T](#) [11SM77-H58](#) [11SM77-T](#) [11SM863-T](#) [11SM866](#) [121EN188-R](#) [1245.0120](#) [125EN56-RB](#) [D433V3RD](#) [1267.0101](#) [1267.7101](#) [D4BFC1](#) [12SM4-T2](#) [12SX2-T2](#) [1298.0101](#)