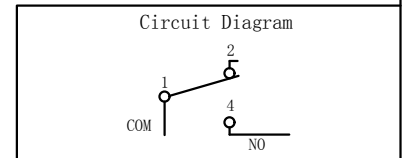
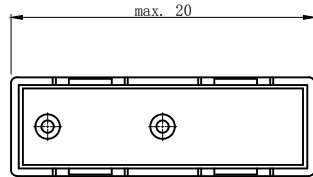
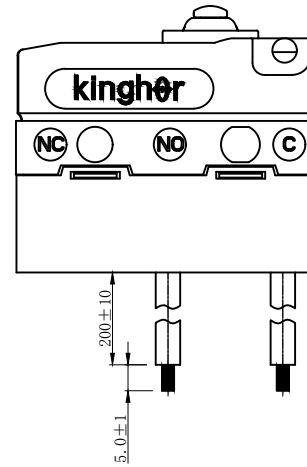
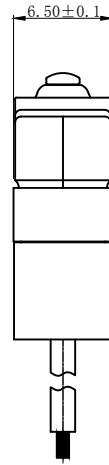
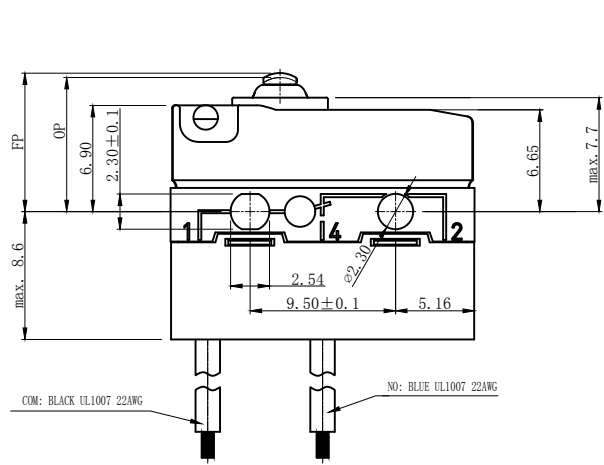


REV	MARK	DESCRIPTION	DRAFTED. BY	DATE



CHARACTERISTICS	
OPERATING FORCE (OF):	250gf Max.
FREE POSITION:	9.4 mm Max.
RELEASE FORCE (RF):	30gf Min.
OPERATING POSITION:	8.4±0.3 mm.
PRE TRAVEL:	1.2 mm Max.
DIFFERENTIAL TRAVEL:	0.2 mm Max.
OVER TRAVEL:	0.6mm Min.

ELECTRICAL DATA	
RATING	OPERATING LIFE
10(1.5)A 125/250VAC	50,000 CYCLES

MECHANICAL LIFE	500,000 CYCLES
GAP TYPE	MICRO
OPERATING TEMP.	-40°C ~ +105°C
WATERPROOF	IP67

OUTLINE DRAWING			
TITLE	H5 SERIES MICRO SWITCH		
MODEL	H5-A1		
PART NO.	H5-A1-1B00W1-2-200		
DRAFTED BY	Bing Wang	DATE	2021-2-10
CHECKED BY	Hua Bai	DATE	2021-2-10
APPROVED BY	Hong Chen	DATE	2021-2-10

TOLERANCE UNLESS OTHERWISE SPECIFIED							
≤3	1~3	3~10	10~30	30~100	100~200	ANGLE	
±0.2	±0.3	±0.4	±0.6	±1.0	±1.5	±3.0°	
SCALE						UNIT	
mm						mm	
VERSION REV						A1	

**KINGHOR**  
SWITCHES AND CONTROL EXPERT

H  
G  
F  
E  
D  
C  
B  
A

1 2 3 4 5 6 7 8 9 10

## X-ON Electronics

Largest Supplier of Electrical and Electronic Components

*Click to view similar products for [Basic / Snap Action Switches](#) category:*

*Click to view products by [Kinghor](#) manufacturer:*

Other Similar products are found below :

[5SM901-S12](#) [5SM9-S12N195](#) [602EN532](#) [602EN535-RB](#) [602HE5-RB1](#) [604HE223-6B](#) [624HE17-RB](#) [6HM82](#) [6SE1](#) [6SX1-H58](#) [71051](#) [714-0293](#) [MBH2731](#) [79211923](#) [79218589](#) [MIL30126AB6BBMD4A12XAU](#) [ML-1155](#) [ML-1376](#) [831010C3.0](#) [831090C2.EL](#) [83131904](#) [84212012](#) [8AS239](#) [8HM73-3](#) [8SX26-H33](#) [914CE1-6G](#) [11SM1077-H4](#) [11SM1077-H58](#) [11SM1-TN107](#) [11SM405](#) [11SM703-T](#) [11SM8423-H2](#) [11SX37-T](#) [11SX48-H58](#) [11SM2442-T](#) [11SM76-T](#) [11SM77-H58](#) [11SM77-T](#) [11SM863-T](#) [11SM866](#) [121EN188-R](#) [1245.0120](#) [125EN56-RB](#) [D433V3RD](#) [1267.0101](#) [1267.7101](#) [D4BFC1](#) [12SM4-T2](#) [12SX2-T2](#) [1298.0101](#)