

NOTES: UNLESS OTHERWISE SPECIFIED

1. INTERFACE PER MIL-STD-348, SERIES SMA, PIN CONTACT .

2. MATERIAL SPECIFICATIONS:

BODY, CLAMP BODY AND NUT: STAINLESS STEEL PER ASTM A582
 INSULATOR: TEFLON PER ASTM D1710
 GASKET: SILICONE RUBBER PER A-A-59588
 RETAINING RING: BERYLIUM COPPER PER ASTM B194
 REAR INSULATOR: PCPFE (KEL F)
 CENTER CONTACT AND SOLDER SLEEVE: BRASS PER ASTM B16

3. FINISH SPECIFICATIONS:

BODY & NUT & CLAMP BODY: PASSIVATE PER ASTM A967
 CENTER CONTACT: .000050 MIN GOLD PER ASTM B488 OVER
 .000050 MIN NICKEL PER AMS-QQ-N-290
 SOLDER SLEEVE: .000015 MIN GOLD PER ASTM B488 OVER .000080 MIN NICKEL
 PER AMS-QQ-N-290

4. ELECTRICAL SPECIFICATIONS:

IMPEDANCE: 50 OHMS
 FREQUENCY RANGE: DC TO 18GHZ
 VOLTAGE RATING: 335 VOLTS RMS
 VSWR: 1.35 MAX (CABLE ASSY 1 FOOT LONG)

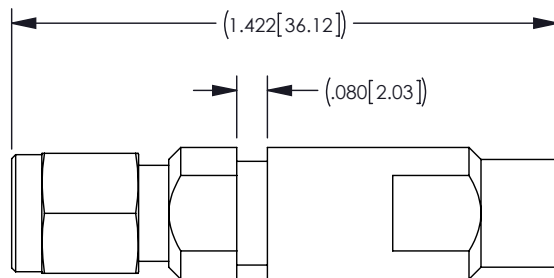
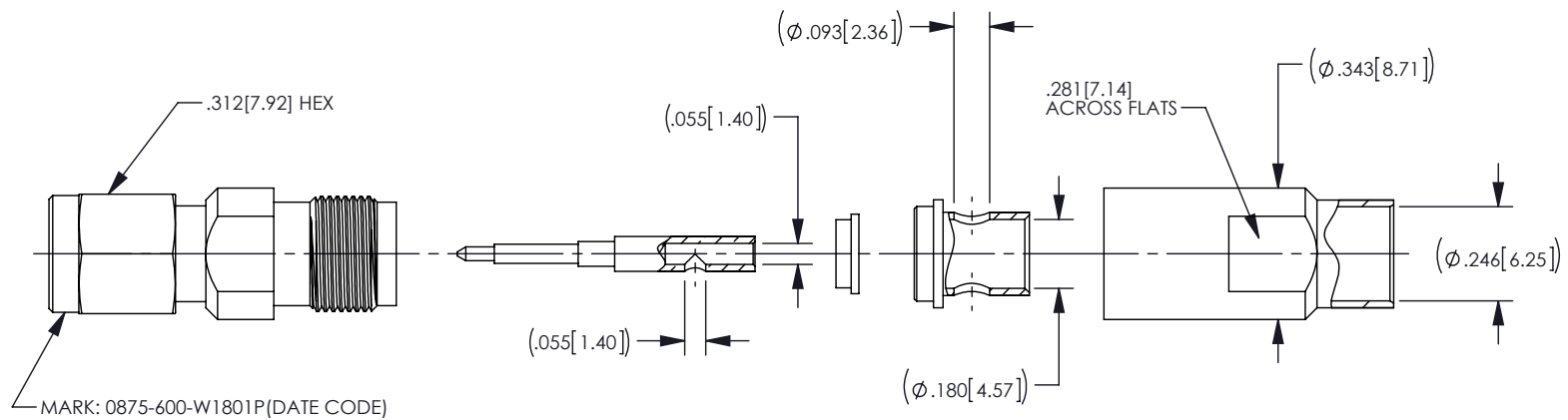
5. CONTACT, REAR INSULATOR, CLAMP BODY AND SOLDER SLEEVE SHIPPED LOOSE.

6. DESIGNED FOR USE WITH IW 1801 CABLE.

7. ASSEMBLE TO CABLE USING CABLING PROCEDURE CAP 6-07.

8. CONNECTOR MEETS REQUIREMENTS OF THE DEFENSE FEDERAL ACQUISITION
 REGULATION AS STATED IN CLAUSE 252.225-7014, ALTERNATIVE 1.

REV	DESCRIPTION	BY DATE	APPD
A	ER041749	KEL 05/11/12	DCAM



ASSEMBLED VIEW

CATALOG P/N: 0875-600-W1801P

PER ASME Y14.5M-1994 UNLESS OTHERWISE SPECIFIED: DIMENSIONS ARE IN INCHES [MM] TOLERANCES: DECIMAL: .XX [X.X] ± .01 [0.3] .XXX [X.XX] ± .005 [0.13] .XXXX [X.XXX] ± .XXXX ANGLES: ± 2° SCALE: 2:1				by WINCHESTER Winchester Electronics Corporation 62 Barnes Industrial Road North Wallingford, Connecticut 06492	
CUSTOMER SALES DRAWING			THIRD ANGLE	18GHz SMA STRAIGHT CABLE PLUG SOLDER CLAMP ATTACHMENT (RoHS) (DFARS)	
DRAWN DCam	DATE 11/23/11	APPROVED JMURPH	DATE 12/1/11	A	SD0875-600-W1801P
APPROVED DCAM	DATE 11/23/11	APPROVED RB	DATE 12/1/11	SHT OF 1 1	REV A

X-ON Electronics

Largest Supplier of Electrical and Electronic Components

Click to view similar products for [RF Connectors](#) / [Coaxial Connectors](#) category:

Click to view products by [Kings](#) manufacturer:

Other Similar products are found below :

[89674-0827](#) [6059674-1](#) [630059-000](#) [6501-1071-002](#) [6769](#) [7002-1541-010](#) [7002-1572-002](#) [7004-1512-000](#) [7009-1511-004](#) [7101-1541-010](#)
[7101-1571-002](#) [7105-1521-002](#) [7203-1571-003](#) [7209-1511-011](#) [7210-1511-040](#) [7242-1511-000](#) [7405-1521-005](#) [7405-1521-802](#)
[804S01D04M040](#) [8527](#) [8547](#) [FS11V](#) [877931](#) [8808-1511-001](#) [9049-9513-000](#) [9074-9513-000](#) [PL11C-026](#) [PL40-36](#) [9408-1113-000](#) [980-](#)
[8666-005](#) [11 SMA-50-2-6 / 111 NE](#) [11 SMA-50-3-6 / 111 NE](#) [1-201144-1](#) [120919](#) [R107003010W](#) [R112186000](#) [R113053000W](#) [R113082097](#)
[R113236000](#) [R114083000](#) [R114670000W](#) [R123415000W](#) [R124076320](#) [R124076450](#) [R124175123](#) [R125075000W](#) [R125075001](#)
[R125172000W](#) [R125415030](#) [R141007161](#)