

NOTES: UNLESS OTHERWISE SPECIFIED

1. INTERFACE PER MIL-STD-348, SERIES SMA, PIN CONTACT .

2. MATERIAL SPECIFICATIONS:

BODY, CLAMP BODY AND NUT: STAINLESS STEEL PER ASTM A582  
 INSULATOR: TEFLON PER ASTM D1710  
 GASKET: SILICONE RUBBER PER A-A-59588  
 RETAINING RING: BERYLIUM COPPER PER ASTM B194  
 REAR INSULATOR: PCPFE (KEL F)  
 CENTER CONTACT AND SOLDER SLEEVE: BRASS PER ASTM B16

3. FINISH SPECIFICATIONS:

BODY & NUT & CLAMP BODY: PASSIVATE PER ASTM A967  
 CENTER CONTACT: .000050 MIN GOLD PER ASTM B488 OVER  
 .000050 MIN NICKEL PER AMS-QQ-N-290  
 SOLDER SLEEVE: .000015 MIN GOLD PER ASTM B488 OVER .000080 MIN NICKEL  
 PER AMS-QQ-N-290

4. ELECTRICAL SPECIFICATIONS:

IMPEDANCE: 50 OHMS  
 FREQUENCY RANGE: DC TO 18GHZ  
 VOLTAGE RATING: 335 VOLTS RMS  
 VSWR: 1.35 MAX (CABLE ASSY 1 FOOT LONG)

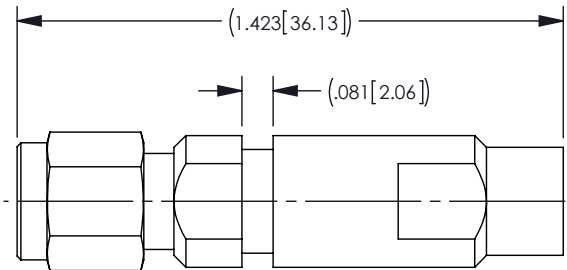
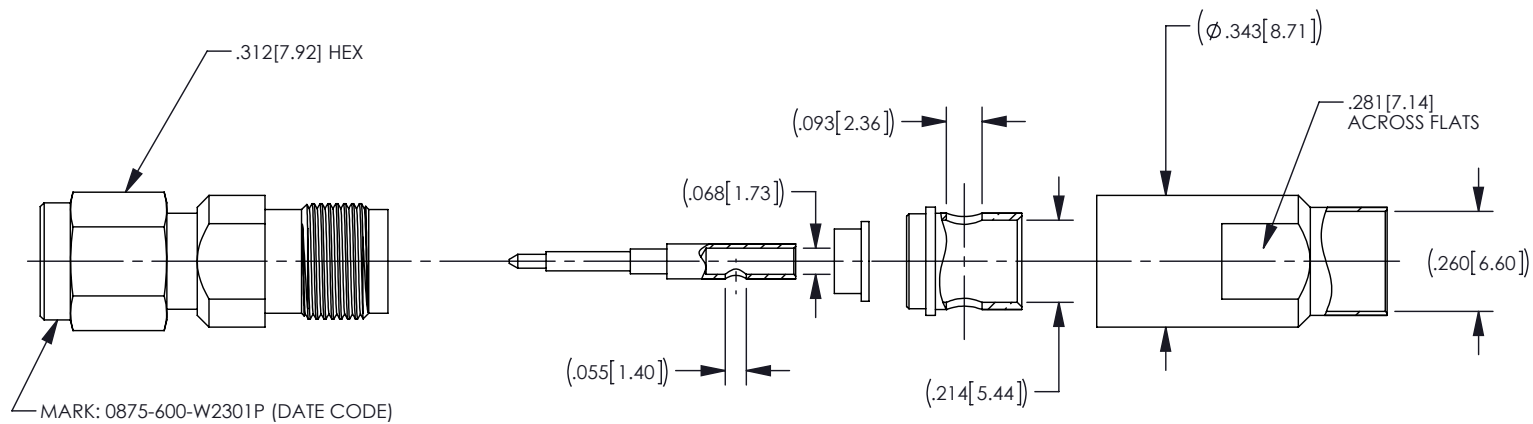
5. CONTACT, REAR INSULATOR, CLAMP BODY AND SOLDER SLEEVE SHIPPED LOOSE.

6. DESIGNED FOR USE WITH IW 2301 CABLE.

7. ASSEMBLE TO CABLE USING CABLING PROCEDURE CAP 6-07.

8. CONNECTOR MEETS REQUIREMENTS OF THE DEFENSE FEDERAL ACQUISITION  
 REGULATION AS STATED IN CLAUSE 252.225-7014, ALTERNATIVE 1 .

REV	DESCRIPTION	BY DATE	APPD
A	ER041749	05/11/12 KEL	DCAM



ASSEMBLY VIEW

CATALOG P/N: 0875-600-W2301P

PER ASME Y14.5M-1994 UNLESS OTHERWISE SPECIFIED: DIMENSIONS ARE IN INCHES [MM] TOLERANCES: DECIMAL: XX [X.X] ± .01 [0.3] .XXX [X.XX] ± .005 [0.13] .XXXX [X.XXX] ± .XXXX ANGLES: ± 2° SCALE: 1:1				Winchester Electronics Corporation by WINCHESTER 62 Barnes Industrial Road North Wallingford, Connecticut 06492						
CUSTOMER SALES DRAWING				THIRD ANGLE		18GHz SMA STRAIGHT CABLE PLUG SOLDER CLAMP ATTACHMENT (RoHS) (DFARS)				
DRAWN	DATE	APPROVED	DATE	DRAWN	DATE	APPROVED	DATE	REV	OF	SHT
DCam	11/23/11	MURPHY	12/1/11	DCAM	11/23/11	RB	12/1/11	A	1	1
SD0875-600-W2301P							A			

## X-ON Electronics

Largest Supplier of Electrical and Electronic Components

*Click to view similar products for [RF Connectors](#) / [Coaxial Connectors](#) category:*

*Click to view products by [Kings](#) manufacturer:*

Other Similar products are found below :

[89674-0827](#) [6059674-1](#) [630059-000](#) [6501-1071-002](#) [6769](#) [7002-1541-010](#) [7002-1572-002](#) [7004-1512-000](#) [7009-1511-004](#) [7101-1541-010](#)  
[7101-1571-002](#) [7105-1521-002](#) [7203-1571-003](#) [7209-1511-011](#) [7210-1511-040](#) [7242-1511-000](#) [7405-1521-005](#) [7405-1521-802](#)  
[804S01D04M040](#) [8527](#) [8547](#) [FS11V](#) [877931](#) [8808-1511-001](#) [9049-9513-000](#) [9074-9513-000](#) [PL11C-026](#) [PL40-36](#) [9408-1113-000](#) [980-](#)  
[8666-005](#) [11 SMA-50-2-6 / 111 NE](#) [11 SMA-50-3-6 / 111 NE](#) [1-201144-1](#) [120919](#) [R107003010W](#) [R112186000](#) [R113053000W](#) [R113082097](#)  
[R113236000](#) [R114083000](#) [R114670000W](#) [R123415000W](#) [R124076320](#) [R124076450](#) [R124175123](#) [R125075000W](#) [R125075001](#)  
[R125172000W](#) [R125415030](#) [R141007161](#)