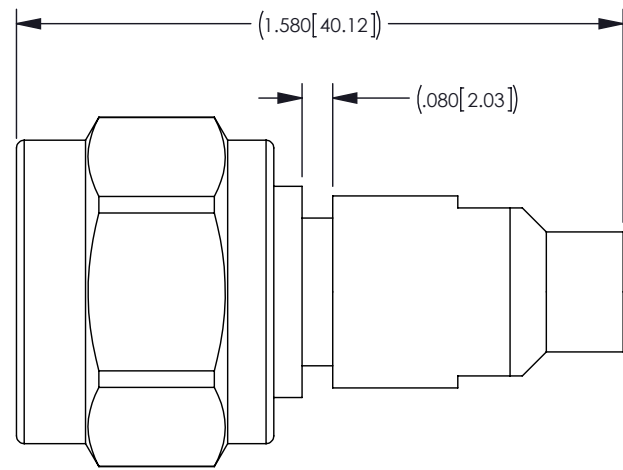


NOTES: UNLESS OTHERWISE SPECIFIED
 1. INTERFACE PER MIL-STD-348, SERIES N, PIN CONTACT.

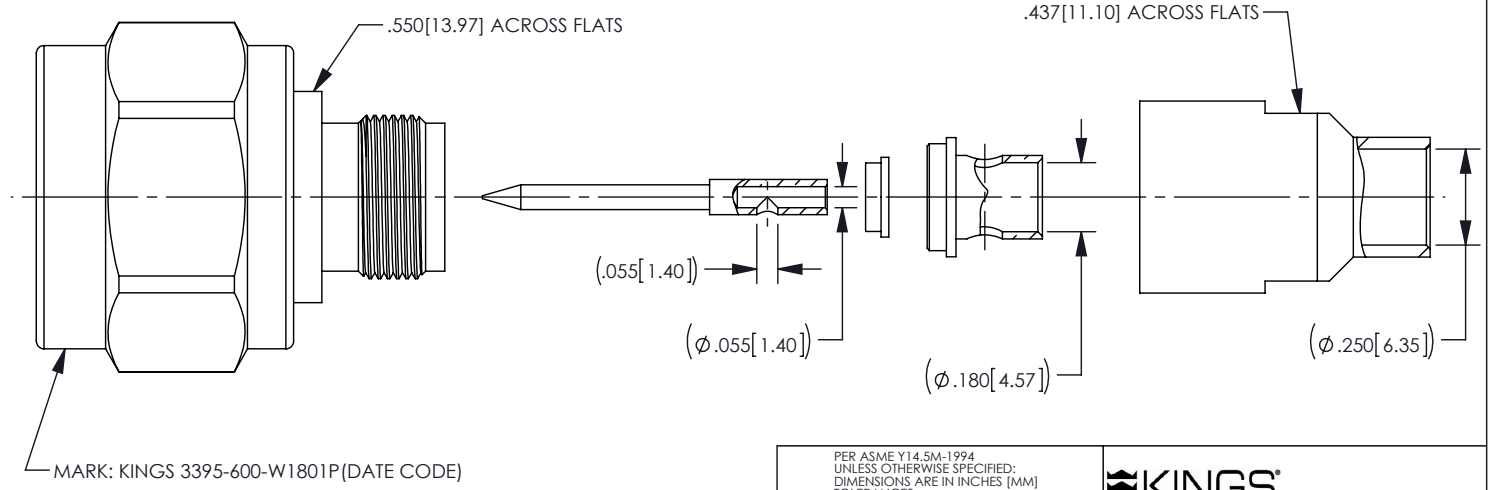
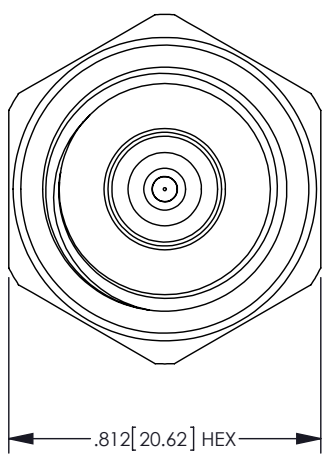
2. MATERIAL SPECIFICATIONS:
 BODY, CLAMP BODY AND NUT: STAINLESS STEEL PER ASTM A582
 INSULATOR: TEFLON PER ASTM D1710
 GASKET: SILICONE RUBBER PER A-A-59588
 RETAINING RING: PHOSPHOR BRONZE PER ASTM B103
 REAR INSULATOR: PCPFE (KEL F)
 SOLDER SLEEVE, CENTER CONTACT: BRASS PER ASTM B16
3. FINISH SPECIFICATIONS:
 BODY & NUT & CLAMP BODY: PASSIVATE PER ASTM A967
 CENTER CONTACT: .000050 MIN GOLD PER ASTM B488 OVER
 .000050 MIN NICKEL PER AMS-QQ-N-290
 SOLDER SLEEVE: .000015 MIN GOLD PER ASTM B488 OVER .000080 MIN NICKEL
 PER AMS-QQ-N-290

4. ELECTRICAL SPECIFICATIONS:
 IMPEDANCE: 50 OHMS
 FREQUENCY RANGE: DC TO 18GHz
 VOLTAGE RATING: 1000 VOLTS RMS
 VSWR: 1.20 MAX
5. CONTACT, REAR INSULATOR, CLAMP BODY AND SOLDER SLEEVE SHIPPED LOOSE.
6. DESIGNED FOR USE WITH IW 1801 CABLE.
7. ASSEMBLE TO CABLE USING CABLING PROCEDURE CAP 6-07.
8. CONNECTOR MEETS REQUIREMENTS OF THE DEFENSE FEDERAL ACQUISITION
 REGULATION AS STATED IN CLAUSE 252.225-7014, ALTERNATIVE 1.

REV	DESCRIPTION	BY DATE	APPD
A	ER041962	KPL 05/22/12	DCam



ASSEMBLED VIEW



MARK: KINGS 3395-600-W1801P (DATE CODE)

CATALOG P/N: 3395-600-W1801P

PER ASME Y14.5M-1994 UNLESS OTHERWISE SPECIFIED: DIMENSIONS ARE IN INCHES [MM] TOLERANCES: DECIMAL: .XX [X.X] ± .01 [0.3] .XXX [X.XX] ± .005 [0.13] .XXXX [X.XXX] ± .XXXX ANGLES: ± 2° SCALE: 2:1		 by WINCHESTER ELECTRONICS Winchester Electronics Corporation 62 Barnes Industrial Road North Wallingford, Connecticut 06492	
CUSTOMER SALES DRAWING		THIRD ANGLE 	18GHz N STRAIGHT CABLE PLUG SOLDER CLAMP ATTACHMENT (RoHS) (DFARS)
DRAWN KPL	DATE 10/04/11	APPROVED DCam	DATE 10/04/11
APPROVED XXX	DATE XX/XX/XX	APPROVED XXX	DATE XX/XX/XX
A SD3395-600-W1801P		SHT 1	OF 1
		REV A	

X-ON Electronics

Largest Supplier of Electrical and Electronic Components

Click to view similar products for [RF Connectors](#) / [Coaxial Connectors](#) category:

Click to view products by [Kings](#) manufacturer:

Other Similar products are found below :

[89674-0827](#) [6059674-1](#) [630059-000](#) [6501-1071-002](#) [6769](#) [7002-1541-010](#) [7002-1572-002](#) [7004-1512-000](#) [7009-1511-004](#) [7101-1541-010](#)
[7101-1571-002](#) [7105-1521-002](#) [7203-1571-003](#) [7209-1511-011](#) [7210-1511-040](#) [7242-1511-000](#) [7405-1521-005](#) [7405-1521-802](#)
[804S01D04M040](#) [8527](#) [8547](#) [FS11V](#) [877931](#) [8808-1511-001](#) [9049-9513-000](#) [9074-9513-000](#) [PL11C-026](#) [PL40-36](#) [9408-1113-000](#) [980-](#)
[8666-005](#) [11 SMA-50-2-6 / 111 NE](#) [11 SMA-50-3-6 / 111 NE](#) [1-201144-1](#) [120919](#) [R107003010W](#) [R112186000](#) [R113053000W](#) [R113082097](#)
[R113236000](#) [R114083000](#) [R114670000W](#) [R123415000W](#) [R124076320](#) [R124076450](#) [R124175123](#) [R125075000W](#) [R125075001](#)
[R125172000W](#) [R125415030](#) [R141007161](#)