

SPECIFICATION FOR APPROVAL

承 認 書

Description : Piezo Transducer

Kingstate Part No. : KMTG1909

Customer's Model No. : _____

Specification No. : POD-7770

Number Of The Edition : 1.1

CUSTOMER'S APPROVED SIGNATURE		

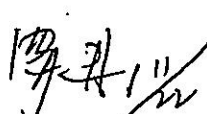

 **KINGSTATE** 志豐電子股份有限公司 **KINGSTATE ELECTRONICS CORP.**

Address: 10F, No. 69-11, Sec. 2, Chung Cheng E. Rd., Tamshui County, Taipei Hsien, Taiwan, R.O.C.

International sales dept: TEL:886-2-2809-5651 FAX:886-2-2809-7151

Domestic sales dept: TEL:886-2-2809-0668 FAX:886-2-28096748

<http://www.kingstate.com.tw>

Approved by	Checked by	Issued by
	 2022.11.22	YAO 2022.11.18

SPEC SHEET REVISION RECORD

成品承認書修訂記錄

DRAWING NO.: POD-7770 圖 號: POD-7770		P/N: KMTG1909 料 號:KMTG1909	
REVISE DATE 修訂日期	APPLICANT 提出者	Version 版次	Revise 修訂記錄內容
2022/11/18	鍾森強	1.1	轉正規格書

A. SCOPE 範疇

This specification applies piezo transducer, **KMTG1909**

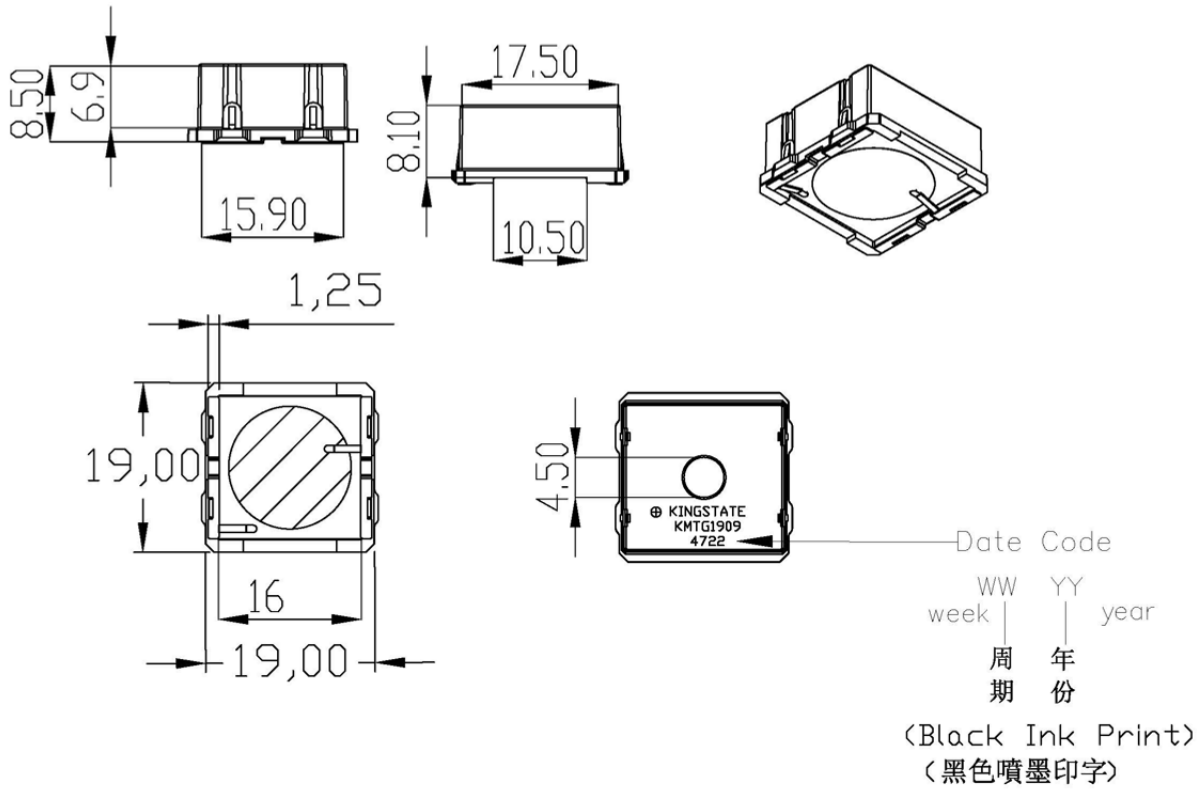
此規格書適用於壓電式蜂鳴器, **KMTG1909**

B. SPECIFICATION 規格

No.	Item	Unit	Specification	Condition
1	Max Operating Volt 最大操作電壓	Vp-p	MAX 18	
2	Current consumption 消耗電流	mA	MAX 38	at 12Vp-p,square wave,2.0KHz. Measure by FLUKE 87
3	Sound pressure level 輸出音壓	dB	MIN 88	at 10cm/12Vp-p,square wave,2.0KHz
4	Electrostatic capacity 靜電容量	pF	35,000 ± 30%	at 100Hz/1V
5	Operating temp. 操作溫度	°C	-40 ~ +85	
6	Storage temp. 儲存溫度	°C	-40 ~ +85	
7	Dimension 尺寸	mm	(W)19.0 x (D)19.0 x (H)8.5	See appearance drawing 請參照外觀尺寸圖
8	Weight (MAX) 重量	gram	2.0	
9	Material 材質		LCP	
10	Terminal 端子		SMD Type (Plating Sn)	See appearance drawing 請參照外觀尺寸圖
11	Environmental Protection Regulation 環保法規		RoHS 2.0	
12	Storage life 保存期限	month	6	6 months preservation at room temp.(25±3°C), Humidity40% 在室溫下 25±3°C,濕度 40%以下可保存 6 個月.
13	MSL 濕敏指數		2a	≤30°C/60%RH 4 weeks Floor life 小於或等於 30°C/60%RH 4 周車間壽命

Number of the patent: CN208477910U (CN) 、 M569487(TW)

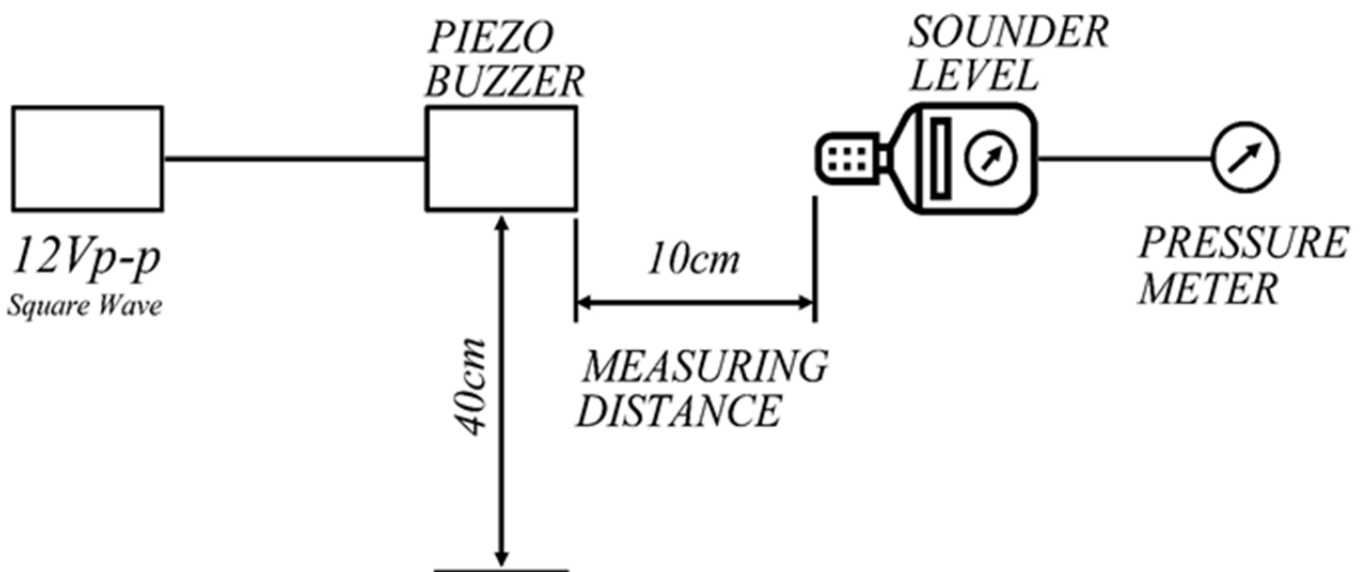
C. APPEARANCE DRAWING 外觀尺寸圖



Tol : ± 0.5
Unit : mm

D. MEASURING METHOD 測量方法

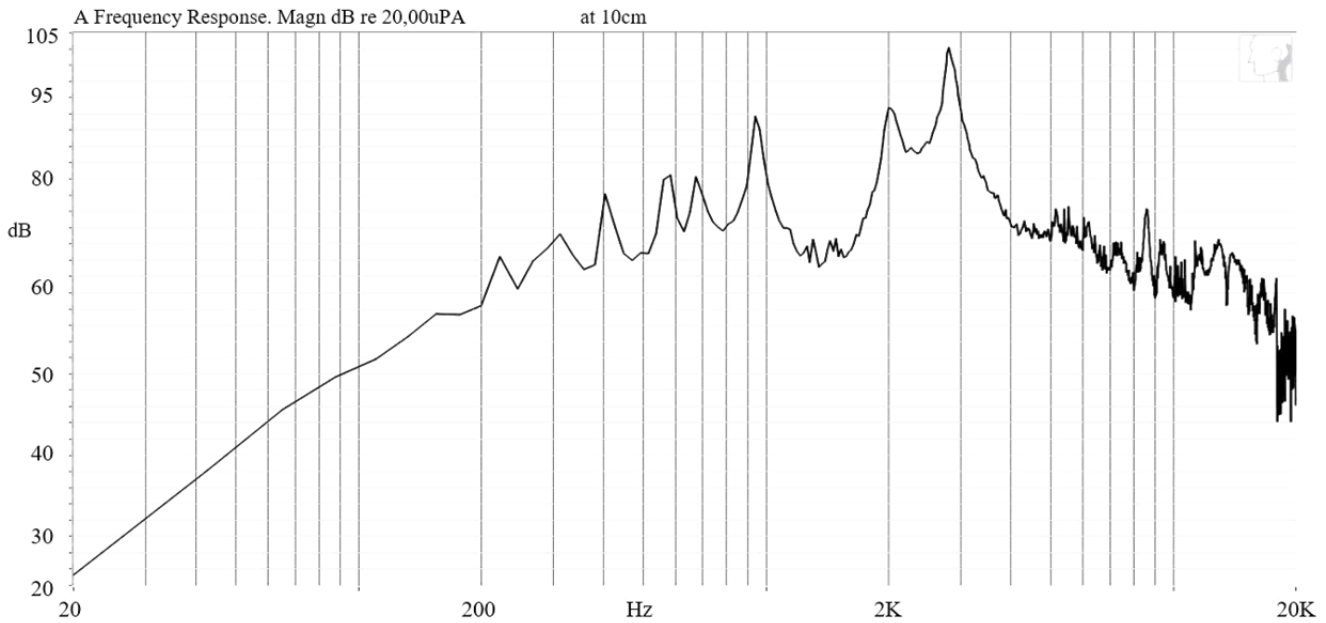
1. S.P.L. Measuring Circuit 音壓測試接線圖



Mic : RION S.P.L. meter UC30 or equivalent

Mic : RION 噪音計 UC30 或同等品

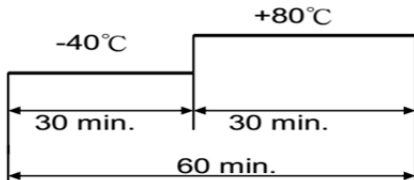
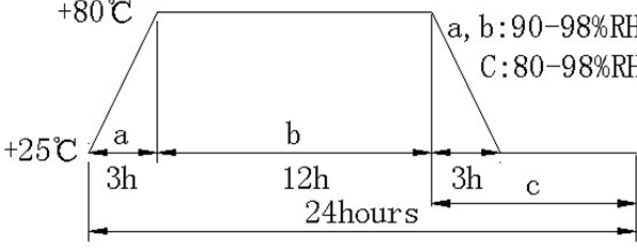
E. TYPICAL FREQUENCY RESPONSE CURVE 頻率響應曲線



F. MECHANICAL CHARACTERISTICS 機械特性

No.	Item	Test Condition	Evaluation standard
1	Solderability 焊錫附著性	Lead terminals are immersed in rosin for 5 seconds and then immersed in solder bath of $+270\pm 5^{\circ}\text{C}$ for 3 ± 1 seconds. 端子部份浸入松香溶液 5 秒後,再浸入 $+270\pm 5^{\circ}\text{C}$ 熔融焊錫槽中 3 ± 1 秒.	90% min. lead terminals shall be wet with solder. (Except the edge of terminal) 浸入端子部份附著焊錫 90%以上.(末端斷面不算)
2	Soldering Heat Resistance 焊錫耐熱性	The product is followed the reflow temperature curve to test its reflow thermostability. 產品依照回焊溫度曲線測試回焊耐熱性.	No interference in operation 操作上無任何不良.
3	Vibration 振動試驗	Buzzer shall be measured after being applied vibration of amplitude of 1.5mm with 10 to 55hz band of vibration frequency to each of 3 per-pendicular directions for 2 hours. 振動週波數 10~55HZ、全振幅 1.5mm 於 X.Y.Z 3 個方向,各 2 小時.	The value of oscillation frequency/ current consumption should be in 10% compared with initial ones. The SPL should be in $\pm 10\text{dB}$ compared with initial one.
4	Drop test 落下測試	The part only shall be dropped from a height of 75cm onto a 40mm thick wooden board 3 times in 3 axes (X.Y.Z). (a total of 9 times). 單體從 75 公分高處, X.Y.Z.3 個方向,各 3 回,落於 40mm 厚木板上.	諧振頻率與消耗電流變化量須在 $\pm 10\%$ 內. 輸出音壓變化量須在 $\pm 10\text{dB}$ 內.

G. ENVIRONMENT TEST 環境測試

No.	Item	Test Condition	Evaluation standard
1	High temp. test 高溫測試	After being placed in a chamber at +80°C for 96 hours 置於+80°C環境中 96 小時	Being placed for 4 hours at +25°C, buzzer shall be measured. The value of oscillation frequency/ current consumption should be in ±10% compared with initial ones .The SPL should be in ±10dB compared with initial one. 經測試後，靜置於+25°C (室溫) 環境中 4 小時後，諧振頻率與消耗電流變化量須在±10%內。輸出音壓變化量須在±10dB 內。
2	Low temp. test 低溫測試	After being placed in a chamber at -40°C for 96 hours 置於-40°C環境中 96 小時	
3	Humidity test 相對濕度測試	The part shall be subjected to 10 cycles. One cycle shall consist of, 對单体施以溫度試驗 10 次循環,其循環內容如圖示 	
4	Temp. cycle test 溫度循環試驗	The part shall be subjected to 10cycles. One cycle shall be 24 hours and consist of; 单体承受溫度/濕度循環測試 10 次,24 小時循環內容如圖示 	

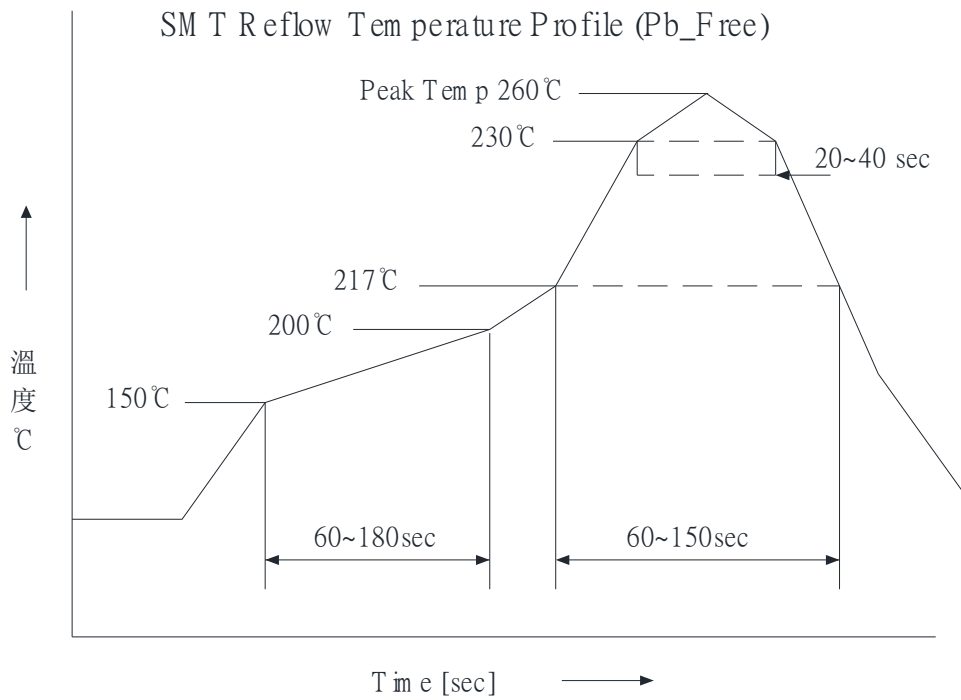
H. RELIABILITY TEST 信賴性測試

No.	Item	Test condition	Evaluation standard
1	Operating life test 壽命測試	<p>1.Continuous life test 高溫壽命測試(連續) The part shall be subjected to 72 hours at +65°C with 12Vp-p , 2000Hz applied. 在+65°C環境下,輸入 12Vp-p , 2000Hz 連續操作 72 小時.</p> <p>2.Intermittent life test 室溫壽命測試(間歇) A duty cycle of 1 minute on, 1 minutes off, a minimum of 5000 times at room temp.(+25±2°C)and rated voltage applied 在室溫下(+25±2°C), 以額定電壓操作, 通電 1 分鐘/斷電 1 分鐘,測試 5000 次循環.</p>	Being placed for 4 hours at +25°C, buzzer shall be measured. The value of oscillation frequency/ current consumption should be in ±10% compared with initial ones .The SPL should be in ±10dB compared with initial one. 經測試後，靜置於+25°C (室溫) 環境中 4 小時後，諧振頻率與消耗電流變化量須在±10%內。輸出音壓變化量須在±10dB 內。

TEST CONDITION.

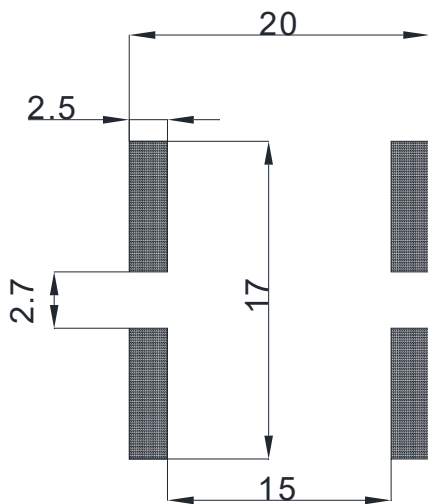
Standard Test Condition 一般測試條件	:	a) Temperature : +5 ~ +35°C	b) Humidity : 45-85%	c) Pressure : 860-1060mbar
Judgement Test Condition 爭議時測試條件	:	a) Temperature : +25 ± 2°C	b) Humidity : 60-70%	c) Pressure : 860-1060mbar
	:	a) 溫度 : +5 ~ +35°C	b) 濕度 : 45-85%	c) 氣壓 : 860-1060mbar
	:	a) 溫度 : +25 ± 2°C	b) 濕度 : 60-70%	c) 氣壓 : 860-1060mbar

I. Recommended Temperature Profile for Reflow Oven 推薦迴流焊曲綫



*Reflow can't over 1 time. 迴流焊次數不超過 1 次.

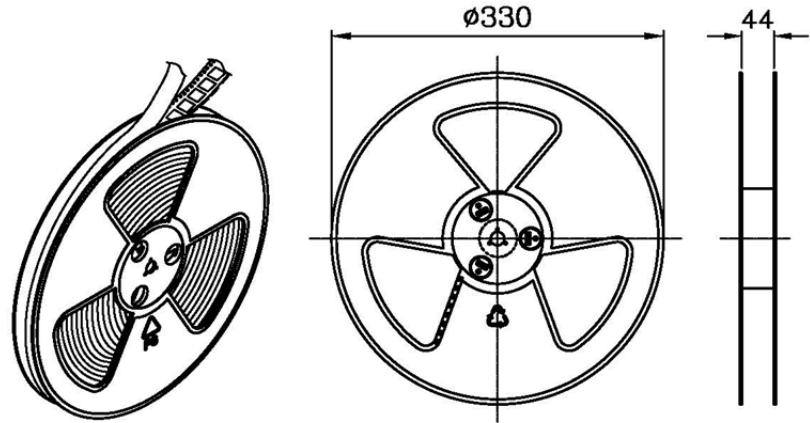
J. Recommended land pattern 建議基板設計尺寸



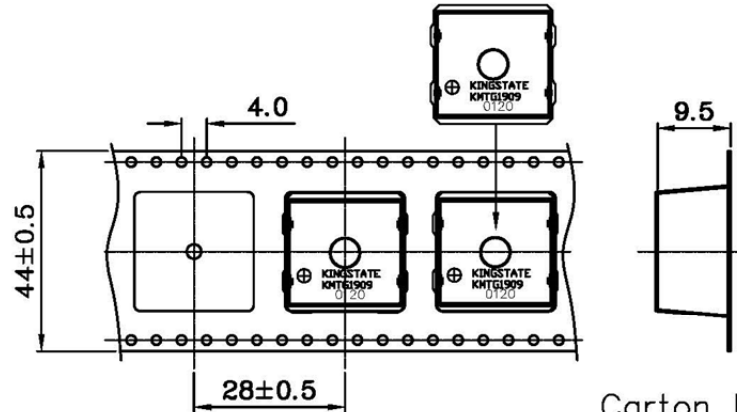
K.PACKING STANDARD 包裝規格

Each minimum package unit of products shall be in a carton box and it shall be clearly marked with Part Number, quantity and outgoing inspection number. There shall be no mechanical damage on products during transportation and/or in storage.



外箱須標示最小包裝單位, 並註明產品型號、數量及檢驗批號, 必須是物品儲藏或運輸過程中可防止造成損傷的包裝。



1 Reel : 200PCS



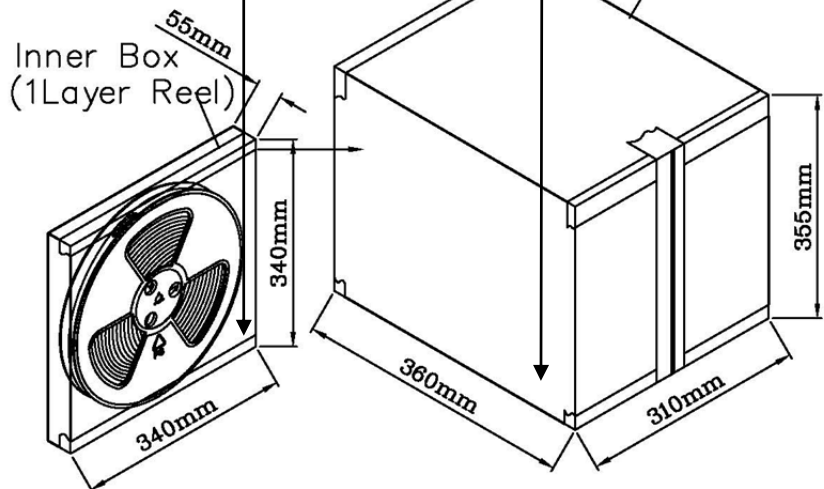
Carton Box (5 Inner Box)

Lot No.	XXXXXXXXXX
Part No.	XXXXXXXXXX
Quantity	XXXX PCS
Date:	DD MM YY
	
	

* The label stuck on inner boxes and the outer of carton.



真空包裝袋/內附干燥剂/HIC 卡
外貼 MSD 标签/符合 MSL-2a



Inner Box	340mmx340mmx55mm	1x200PCS=200PCS
Carton Box	360mmx310mmx355mm	5x200PCS=1000PCS

X-ON Electronics

Largest Supplier of Electrical and Electronic Components

Click to view similar products for [Piezo Buzzers & Audio Indicators](#) category:

Click to view products by [Kingstate](#) manufacturer:

Other Similar products are found below :

[6-4 ESZ-26B F/BC 40P-DR LF](#) [FDG06PSLLF](#) [FDG111PLF](#) [F/DGX12P WITH LABEL LF](#) [F/NRMB 24 BLACK LF](#) [PF-35N29WQ](#) [PFD-21A29W](#) [PFD-27A35PQ](#) [PL-21N30WQ](#) [PLD-21N30W](#) [PLD-21N30WQ](#) [PS-531Q](#) [PT-3534FP](#) [B822B](#) [B/CP28/100DB/BLACK LF](#) [S6109](#) [SC110E](#) [SC2036ACP](#) [SC616N-2](#) [SC628FW](#) [SC628MPG](#) [SC648D](#) [SCS045MD9DT3S](#) [ESZ-25B-5-250B](#) [FCM12PLF](#) [F/EB20P-DR LF](#) [AI-4228-TF-LW305-R](#) [FSMD8585JSLF](#) [F/SU 21-02 LF](#) [F/TCW 05 WITH LABEL LF](#) [F/TCW 12 WITH LABEL LF](#) [F/UCW 03 WITH LABEL LF](#) [PFD-27N36W](#) [PKM35-4A0](#) [PL-35N29WQ](#) [PLD-27A35PQ](#) [PS-552Q](#) [REF-202](#) [KBS-20DA-7AS](#) [KBS-27DA-5C-105](#) [LSC628ANR](#) [PL-21N31PQ](#) [F/DGX 05P WITH LABEL LF](#) [F/HCW 06 WITH LABEL LF](#) [MSR516NP](#) [STA22702W](#) [STA20502](#) [SBM616J](#)