

KVR16LS11/4

4GB 1Rx8 512M x 64-Bit PC3L-12800
CL11 204-Pin SODIMM

DESCRIPTION

This document describes ValueRAM's 512M x 64-bit (4GB) DDR3L-1600 CL11 SDRAM (Synchronous DRAM), 1Rx8, low voltage, memory module, based on eight 512M x 8-bit FBGA components. The SPD is programmed to JEDEC standard latency DDR3-1600 timing of 11-11-11 at 1.35V or 1.5V. This 204-pin SODIMM uses gold contact fingers. The electrical and mechanical specifications are as follows:

FEATURES

- JEDEC standard 1.35V (1.28V ~ 1.45V) and 1.5V (1.425V ~1.575V) Power Supply
- VDDQ = 1.35V (1.28V ~ 1.45V) and 1.5V (1.425V ~ 1.575V)
- 800MHz fCK for 1600Mb/sec/pin
- 8 independent internal bank
- Programmable CAS Latency: 11, 10, 9, 8, 7, 6, 5
- Programmable Additive Latency: 0, CL - 2, or CL - 1 clock
- 8-bit pre-fetch
- Burst Length: 8 (Interleave without any limit, sequential with starting address "000" only), 4 with tCCD = 4 which does not allow seamless read or write [either on the fly using A12 or MRS]
- Bi-directional Differential Data Strobe
- Internal(self) calibration : Internal self calibration through ZQ pin (RZQ : 240 ohm ± 1%)
- On Die Termination using ODT pin
- Average Refresh Period 7.8us at lower than TCASE 85°C, 3.9us at 85°C < TCASE ≤ 95°C
- Asynchronous Reset
- PCB: Height1.18" (30mm), double sided component
- Lead Free RoHS Compliant

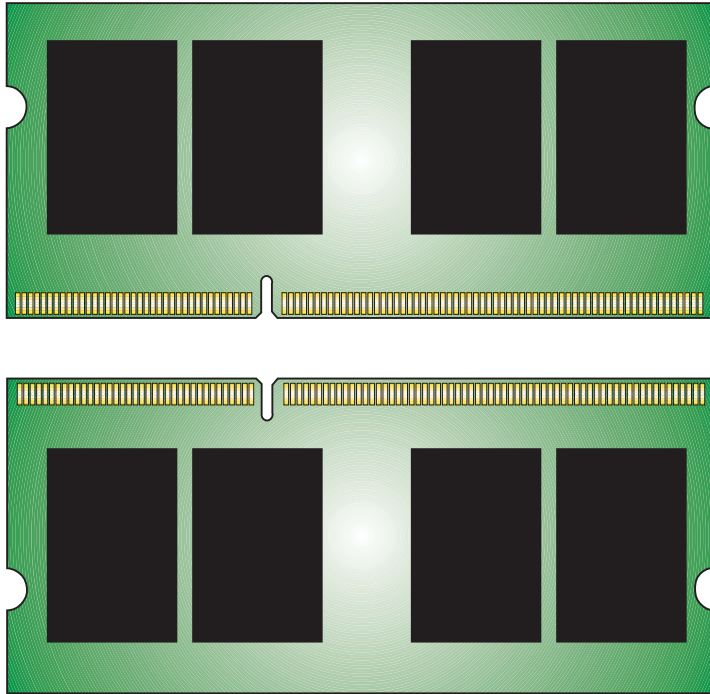
SPECIFICATIONS

CL(IDD)	11 cycles
Row Cycle Time (tRCmin)	48.125ns (min.)
Refresh to Active/Refresh Command Time (tRFCmin)	260ns (min.)
Row Active Time (tRASmin)	35ns (min.)
Maximum Operating Power	(1.35V) = 2.376 W*
UL Rating	94 V - 0
Operating Temperature	0° C to 85° C
Storage Temperature	-55° C to +100° C

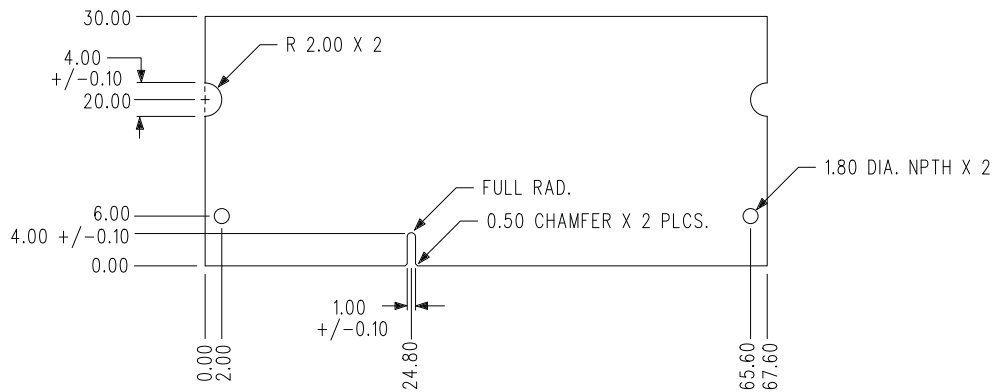
*Power will vary depending on the SDRAM.

Continued >>

MODULE DIMENSIONS:



All measurements are in millimeters.
 (Tolerances on all dimensions are ± 0.12 unless otherwise specified)



X-ON Electronics

Largest Supplier of Electrical and Electronic Components

Click to view similar products for [kingston manufacturer](#):

Other Similar products are found below :

[SDCA3/32GB](#) [SM2280S3G2/120G](#) [04EPOP08-NL3DM627-B02U](#) [SD4/32GB](#) [SEDC400S37/960G](#) [EMMC16G-W525-X01U](#) [08EPOP04-NL3DT227-A01U](#) [SEDC1000H/1600G](#) [04EMCP04-NL2DM627-Z02U](#) [08EMCP04-NL3DT227-A01U](#) [B1621PM1WDGTKR-U](#) [B5116ECMDXGGB-U](#) [SDA10/128GB](#) [D5128EETBPGGBU-U](#) [SDA3/32GB](#) [FCR-HS4](#) [D5128EC4BPGGBUI-U](#) [SKC400S37/1T](#) [KVR21R15D4/16](#) [SUV400S37/240G](#) [SKC400S37/512G](#) [BOXSIZE 4](#) [BOXSIZE 3](#)