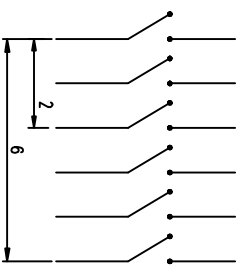
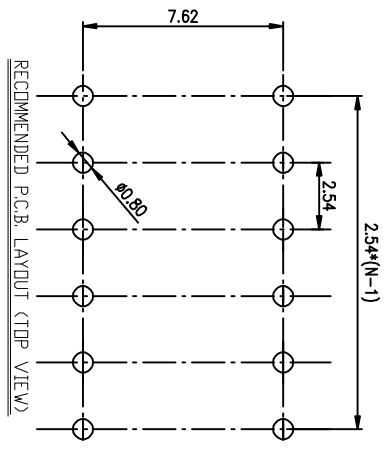
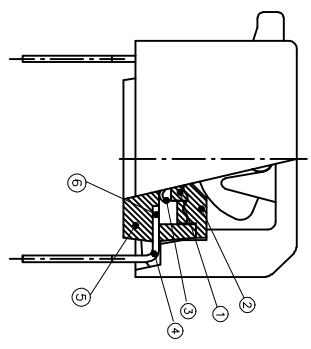
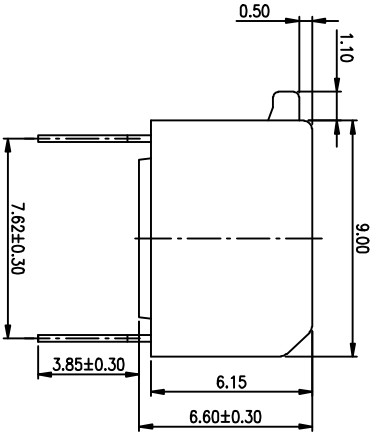
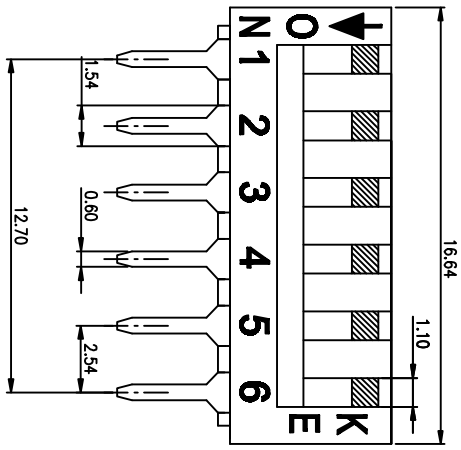


PRODUCT NO. DSPV06LHGCT  
RoHS compliant



DS XX T S G E T  
 [Packing: T=Tube R=Reel]  
 [Finish: F=3u" Gold-plated F=10u" Gold-plated]  
 [Finish: G=Full Gold S=Contact-Gold-plated]  
 [Terminal: S=SMD type B=Strait.....]  
 [Actuator: T=Tape sealed S=Low profile W/O Tape L=Extension]  
 [HP=Half Pitch IC=IC type PV=Plano type]

- NOTES : 1 Specification:  
 1>. Operating force: 10000gf Max  
 2>. Operating Temperature: -40° to+85°  
 3>. Storage Temperature: -40° to+85°  
 4>. Mechanical Life: 3000cycles minimum  
 5>. Electrical Life: 2000cycles minimum
2. PLATING:  
 GOLD FLASH 1u"(min.) SOLDER TALL,  
 3u" GOLD PLATING ON THE CONTACT AREA,  
 WITH 50u" NICKEL UNDERPLATING OVERALL.
3. CONTACT RATING:  
 1. SWITCHING: 25mA at 24VDC  
 2. NON-SWITCHING: 100mA at 50VDC  
 WITH 50u" NICKEL UNDERPLATING OVERALL.
4. PART NUMBER DESCRIPTION :

REV.	ECN NO.	DR	DATE

Number	Part Name	Material	Finished
①	Actuator	UL94 V0	White
②	Cover	UL94 V0	Black
③	Movable	Copper Alloy	3u" Gold
④	Terminal	Brass	1u" Gold
⑤	Base	UL94 V0	Black
⑥	Terminal Contact	Brass	3u" Gold

TOLERANCE UNLESS OTHERWISE SPECIFIED	ANGLES	PROJECTION
0 ± 0.25	0 ± 2°	
.00 ± 0.15	.0 ± 1°	
.000 ± 0.10	.00 ± 0.5°	

INSPECTION COPY	TITLE
BY DSPV SERIES PITCH 2.54mm	FILE NO. DSPV06LHGCT-A
PRODUCT FAMILY DSPV SERIES	UNIT SCALE SHEET REV.
PRAT NO. DSPV06LHGCT	SIZE mm Z : 1 TOP: 1 A

**RE** 东莞市广聚实业有限公司  
Dongguan Kingtek Industrial Co., Ltd.

## X-ON Electronics

Largest Supplier of Electrical and Electronic Components

*Click to view similar products for [DIP Switches/SIP Switches](#) category:*

*Click to view products by [Kingtek Industrial](#) manufacturer:*

Other Similar products are found below :

[79B10T](#) [8136-475G4T](#) [G7G-1A2-CB-DC12](#) [H7CZL8AC100240](#) [DRR60016](#) [DRS4016](#) [1825444-1](#) [200183](#) [206002](#) [206004LPST](#) [219-6LPSTRF](#) [25.350.0653.0](#) [SBS 5004 TG](#) [SDA10H1BDA](#) [97R06ST](#) [A2C-2A5](#) [1825444-7](#) [ADE08SA04](#) [ADE12S04](#) [192960010](#) [206005RAS](#) [206007](#) [2-1825058-8](#) [25.330.0653.1](#) [25.352.0353.0](#) [CXDRIVEV2X](#) [IKN0600000](#) [IKN0800000](#) [LA2-002-DC24](#) [DBS2110](#) [DSR02T](#) [E2FMX2D1M1TGJ03M](#) [NDI10H](#) [219-9MSTP](#) [EPM02FV](#) [206010RAST](#) [NDS08V](#) [76SB05](#) [TD06H0SK1](#) [Z7.255.9027.0](#) [1-1825058-3](#) [1825428-4](#) [219-10LPSTF](#) [E3ZG6111D03M](#) [G4D212PUSTV2DC5](#) [HARW0002](#) [EPG301BT06](#) [219-7LPSTRF](#) [1-1825058-6](#) [E3TSL23M5J03M](#)