

| | |
|-----------------------------|----------------|
| PRODUCT NO. DSWB04LHGETB | RoHS compliant |
|-----------------------------|----------------|

| | | | |
|------|---------|----|------|
| REV. | ECN NO. | DR | DATE |
| | | | |

Note:

- All dimensions are in millimeters.
- General tolerance: $\pm 0.2\text{mm}$.
- Material:

Base:UL94V-0 PBT Thermoplastic(Black).
 Cover:UL94V-0 PBT Thermoplastic(Black/Red/Blue).
 Actuators:UL94V-0 PBT Thermoplastic(White).
 Contact plating:Gold plating over nickel.
 Pitting material:Epoxy.

4. Electrical

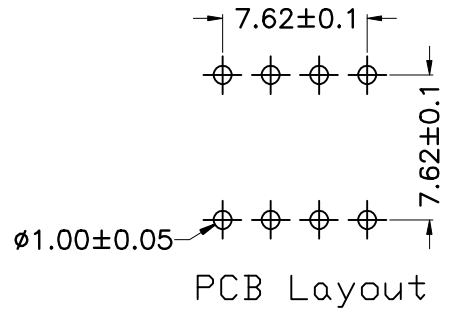
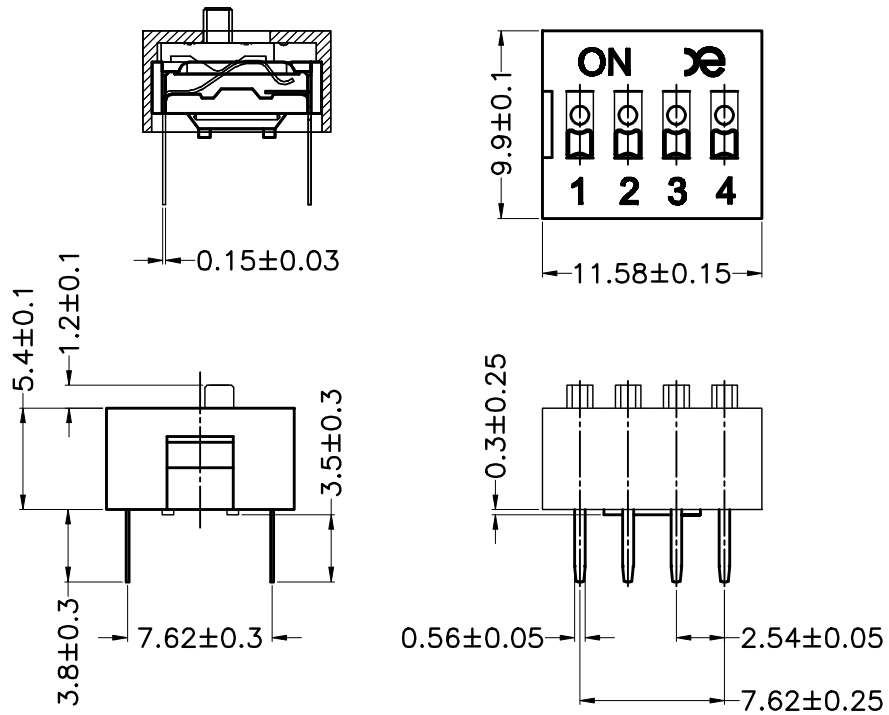
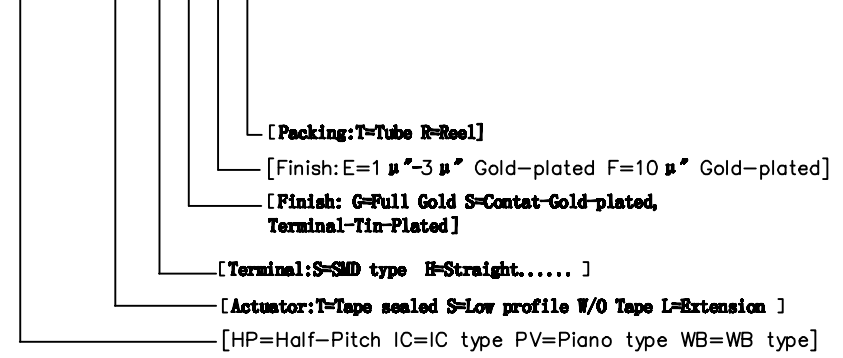
Electrical:2000 Operations per switch 24/VDC, 25mA.
 Non-Switching Rating:100mA, 50/VDC.
 Switching Rating:25mA, 24/VDC
 Contact Resistance:100 m Ω Max.at initial.

5. Mechanical

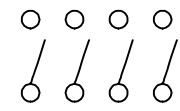
Mechanical life:2000 Operations per switch.
 Stroke:2.0mm.
 Operation Temp:-20°C to 70°C.
 Storage Temp:-40°C to 85°C.

6. PART NUMBER DESCRIPTION:

DS WB 04 L H G E T B



SCHEMATIC(TYP.)



注意:

- 波峰焊: 推荐焊锡温度在270°C \pm 5°C, 浸锡时间为5~6秒钟.
- 手工焊: 使用30瓦烙铁控制温度在320°C, 焊接时间大约2~3秒钟.
- 拨柄位置: 产品焊接时, 请将产品的拨柄置于OFF端, 能给予产品更好的接触性能.
- 清洗过程: 清洗使用超声波方式, 能给予更好的效果.

| | | | |
|--------------------------------------|-----------|-----------------|--|
| TOLERANCE UNLESS OTHERWISE SPECIFIED | | INSPECTION COPY | 东莞市广誉实业有限公司 DongGuan Kingtek Industrial Co., Ltd. |
| LINER | ANGLES | | |
| .0 ± 0.30 | 0. ± 1' | PROJECTION | TITLE |
| .00 ± 0.20 | .0 ± 0.5' | | BY DSWB SERIES PITCH 2.54mm |
| .000± 0.10 | .00± | | PRODUCT FAMILY DSWB SERIES |
| DESIGN | LU ER XIN | 2013/07/02 | PRAT NO. DSWB04LHGETB |
| DRAWING | | | FILE NO. DSWB04LHGETB-A |
| CHECK | | | SIZE UNIT SCALE SHEET REV. |
| APPRO. | | | A4 mm FIT 1 OF 1 A |

X-ON Electronics

Largest Supplier of Electrical and Electronic Components

Click to view similar products for [DIP Switches/SIP Switches](#) category:

Click to view products by [Kingtek Industrial](#) manufacturer:

Other Similar products are found below :

[79B10T](#) [8136-475G4T](#) [G7G-1A2-CB-DC12](#) [DRS4016](#) [1825444-1](#) [193005MS](#) [195010MS](#) [200183](#) [206002](#) [208004](#) [208007ST](#) [208008](#)
[25.350.0653.0](#) [SDA10H1BDA](#) [97R06ST](#) [A2C-2A5](#) [1825444-7](#) [ADE12S04](#) [206005RAS](#) [206007](#) [209005LPST](#) [2-1825058-8](#) [219002LPST](#)
[219002MSTJRF](#) [219012MST](#) [25.352.0353.0](#) [CXDRIVEV2X](#) [LA2-002-DC24](#) [DSR02T](#) [193004MS](#) [E2FMX2D1M1TGJ03M](#) [NDI10H](#) [219-](#)
[9MSTP](#) [219008LPSTR](#) [EPM02FV](#) [206010RAST](#) [76SB05](#) [TD06H0SK1](#) [Z7.255.9027.0](#) [1-1825058-3](#) [1825428-4](#) [219-10LPSTF](#)
[E3ZG6111D03M](#) [G4D212PUSTV2DC5](#) [HARW0002](#) [EPG301BT06](#) [1-1825058-6](#) [E3TSL23M5J03M](#) [Y5795](#) [7R0060](#)