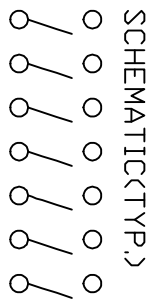
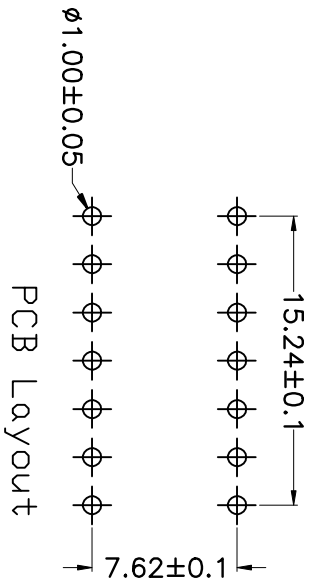
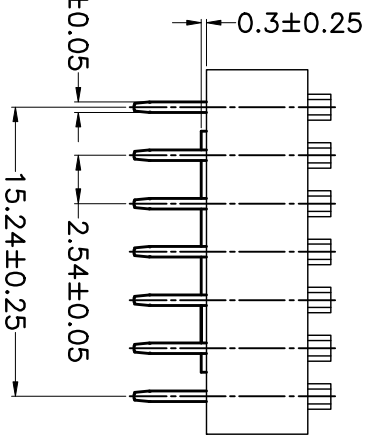
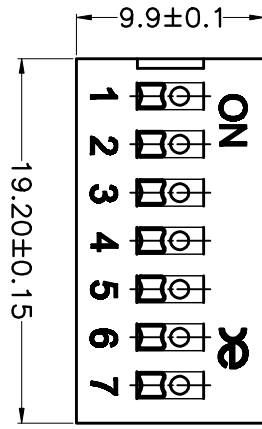
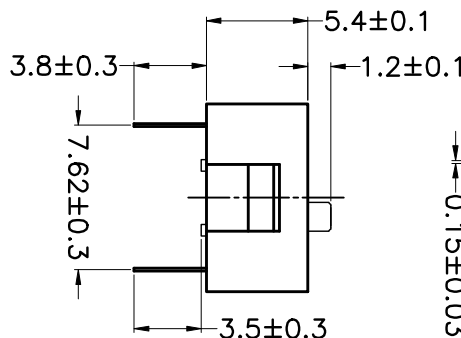
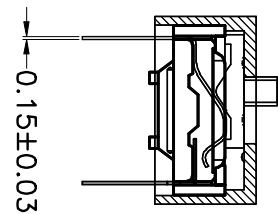


PRODUCT NO. DSWB07LHGFT
RoHS compliant



- Note:
- All dimensions are in millimeters.
 - General tolerance: $\pm 0.2\text{mm}$.
 - Material:

Base: UL94V-0 PBT Thermoplastic (Black).
 Cover: UL94V-0 PBT Thermoplastic (Black/Red/Blue).
 Actuators: UL94V-0 PA66 Thermoplastic (White).
 Contact plating: Gold plating over nickel.
 Pitting material: Epoxy.

4. Electrical
 Electrical: 2000 Operations per switch 24VDC, 25mA.
 Non-Switching Rating: 100mA, 50VDC.
 Switching Rating: 25mA, 24VDC
 Contact Resistance: 100 mΩ Max at initial.

5. Mechanical
 Mechanical life: 2000 Operations per switch.
 Stroke: 2.0mm.
 Operation Temp: -20°C to 70°C.
 Storage Temp: -40°C to 85°C.

6. PART NUMBER DESCRIPTION:

DS WB 07 L H G E T

- [Packing: T=Tube R=Reel]
- [Finish: B=1 μ"-3 μ" Gold-plated R=10 μ" Gold-plated]
- [Finish: G=Full Gold S=Contact Gold-plated Terminal-Tin-Plated]
- [Terminal: S=SMD type H=Strait:.....]
- [Actuator: T=Tepe sealed S=Low profile W/O Tepe L=Extension]
- [HP=Half-Pitch IC=IC type PV=Plano type WB=WB type]

TOLERANCE UNLESS OTHERWISE SPECIFIED		INSPECTION COPY		DONGGUAN KINGKE INDUSTRIAL CO., LTD.	
LINER	ANGLES	PROJECTION	FILE NO.	SIZE	UNIT
0 ± 0.30	0 ± 1°		DSWB07LHGFT-A	mm	mm
.00 ± 0.20	.0 ± 0.5°		BY DSWB SERIES PITCH 2.54mm	SCALE	SHEET
.000± 0.10	.00±		PRODUCT FAMILY DSWB SERIES	REV.	REV.
DESIGN	LU ER XIN	2013/07/02	PRAT NO.	DSWB07LHGFT	
DRAWING					
CHECK					
APPRO.					

X-ON Electronics

Largest Supplier of Electrical and Electronic Components

Click to view similar products for [DIP Switches/SIP Switches](#) category:

Click to view products by [Kingtek Industrial](#) manufacturer:

Other Similar products are found below :

[79B10T](#) [8136-475G4T](#) [G7G-1A2-CB-DC12](#) [H7CZL8AC100240](#) [DRR60016](#) [DRS4016](#) [1825444-1](#) [200183](#) [206002](#) [206004LPST](#) [219-6LPSTRF](#) [25.350.0653.0](#) [SBS 5004 TG](#) [SDA10H1BDA](#) [97R06ST](#) [A2C-2A5](#) [1825444-7](#) [ADE08SA04](#) [ADE12S04](#) [192960010](#) [206005RAS](#) [206007](#) [2-1825058-8](#) [25.330.0653.1](#) [25.352.0353.0](#) [CXDRIVEV2X](#) [IKN0600000](#) [IKN0800000](#) [LA2-002-DC24](#) [DBS2110](#) [DSR02T](#) [E2FMX2D1M1TGJ03M](#) [NDI10H](#) [219-9MSTP](#) [EPM02FV](#) [206010RAST](#) [NDS08V](#) [76SB05](#) [TD06H0SK1](#) [Z7.255.9027.0](#) [1-1825058-3](#) [1825428-4](#) [219-10LPSTF](#) [E3ZG6111D03M](#) [G4D212PUSTV2DC5](#) [HARW0002](#) [EPG301BT06](#) [219-7LPSTRF](#) [1-1825058-6](#) [E3TSL23M5J03M](#)