

|                             |                |
|-----------------------------|----------------|
| PRODUCT NO.<br>DSWB08LHGETB | RoHS compliant |
|-----------------------------|----------------|

|      |         |    |      |
|------|---------|----|------|
| REV. | ECN NO. | DR | DATE |
|      |         |    |      |

**Note:**

- All dimensions are in millimeters.
- General tolerance:  $\pm 0.2\text{mm}$ .
- Material:

Base:UL94V-0 PBT Thermoplastic(Black).  
 Cover:UL94V-0 PBT Thermoplastic(Black/Red/Blue).  
 Actuators:UL94V-0 PBT Thermoplastic(White).  
 Contact plating:Gold plating over nickel.  
 Pitting material:Epoxy.

**4. Electrical**

Electrical:2000 Operations per switch 24/VDC, 25mA.  
 Non-Switching Rating:100mA, 50/VDC.  
 Switching Rating:25mA, 24/VDC  
 Contact Resistance:100 m $\Omega$  Max.at initial.

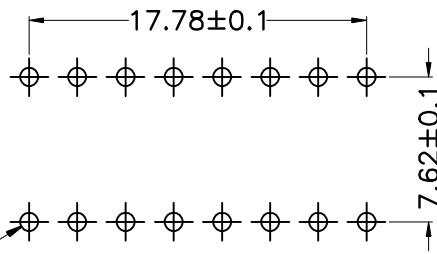
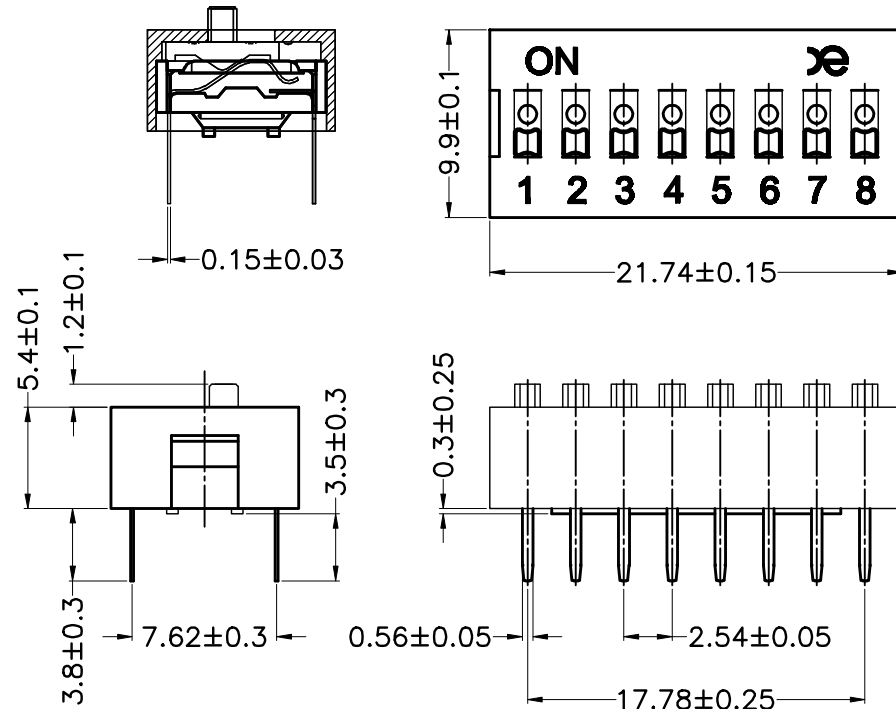
**5. Mechanical**

Mechanical life:2000 Operations per switch.  
 Stroke:2.0mm.  
 Operation Temp:-20 $^{\circ}\text{C}$  to 70 $^{\circ}\text{C}$ .  
 Storage Temp:-40 $^{\circ}\text{C}$  to 85 $^{\circ}\text{C}$ .

**6. PART NUMBER DESCRIPTION:**

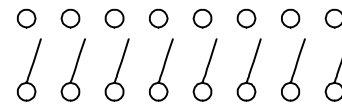
DS WB 08 L H G E T B

- [Packing:T=Tube R=Reel]
- [Finish:E=1  $\mu$ "-3  $\mu$ " Gold-plated F=10  $\mu$ " Gold-plated]
- [Finish:G=Full Gold S=Contat-Gold-plated, Terminal-Tin-Plated]
- [Terminal:S=SMD type H=Straight.....]
- [Actuator:T=Tube sealed S=Low profile W/O Tape L=Extension]
- [HP=Half-Pitch IC=IC type PV=Piano type WB=WB type]



PCB Layout

SCHEMATIC(TYP.)



|                                      |               |                 |  |
|--------------------------------------|---------------|-----------------|--|
| TOLERANCE UNLESS OTHERWISE SPECIFIED |               | INSPECTION COPY | 东莞市广誉实业有限公司<br>DongGuan Kingtek Industrial Co., Ltd. |
| LINER                                | ANGLES        |                 |  |
| .0 $\pm$ 0.30                        | 0. $\pm$ 1'   | PROJECTION      | TITLE  |
| .00 $\pm$ 0.20                       | .0 $\pm$ 0.5' |                 | BY DSWB SERIES PITCH 2.54mm                          |
| .000 $\pm$ 0.10                      | .00 $\pm$     |                 | PRODUCT FAMILY DSWB SERIES                           |
| DESIGN                               | LU ER XIN     | 2013/07/02      | PRAT NO. DSWB08LHGETB                                |
| DRAWING                              |               |                 | FILE NO. DSWB08LHGETB-A                              |
| CHECK                                |               |                 | SIZE UNIT SCALE SHEET REV.                           |
| APPRO.                               |               |                 | A4 mm FIT 1 OF 1 A                                   |

## X-ON Electronics

Largest Supplier of Electrical and Electronic Components

*Click to view similar products for [DIP Switches/SIP Switches](#) category:*

*Click to view products by [Kingtek Industrial](#) manufacturer:*

Other Similar products are found below :

[79B10T](#) [8136-475G4T](#) [G7G-1A2-CB-DC12](#) [DRS4016](#) [1825444-1](#) [193005MS](#) [195010MS](#) [200183](#) [206002](#) [208004](#) [208007ST](#) [208008](#)  
[25.350.0653.0](#) [SDA10H1BDA](#) [97R06ST](#) [A2C-2A5](#) [1825444-7](#) [ADE12S04](#) [206005RAS](#) [206007](#) [209005LPST](#) [2-1825058-8](#) [219002LPST](#)  
[219002MSTJRF](#) [219012MST](#) [25.352.0353.0](#) [CXDRIVEV2X](#) [LA2-002-DC24](#) [DSR02T](#) [193004MS](#) [E2FMX2D1M1TGJ03M](#) [NDI10H](#) [219-](#)  
[9MSTP](#) [219008LPSTR](#) [EPM02FV](#) [206010RAST](#) [76SB05](#) [TD06H0SK1](#) [Z7.255.9027.0](#) [1-1825058-3](#) [1825428-4](#) [219-10LPSTF](#)  
[E3ZG6111D03M](#) [G4D212PUSTV2DC5](#) [HARW0002](#) [EPG301BT06](#) [1-1825058-6](#) [E3TSL23M5J03M](#) [Y5795](#) [7R0060](#)