

PRODUCT NO.	RoHS compliant
DSWB10LHGETB	

REV.	ECN NO.	DR	DATE

**Note:**

- All dimensions are in millimeters.
- General tolerance:  $\pm 0.2\text{mm}$ .
- Material:

Base:UL94V-0 PBT Thermoplastic(Black).  
 Cover:UL94V-0 PBT Thermoplastic(Black/Red/Blue).  
 Actuators:UL94V-0 PBT Thermoplastic(White).  
 Contact plating:Gold plating over nickel.  
 Pitting material:Epoxy.

**4. Electrical**

Electrical:2000 Operations per switch 24/VDC, 25mA.  
 Non-Swithing Rating:100mA, 50/VDC.  
 Swithing Rating:25mA, 24/VDC  
 Contact Resistance:100 m $\Omega$  Max.at initial.

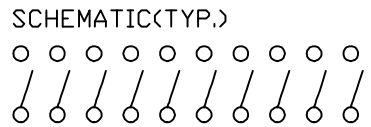
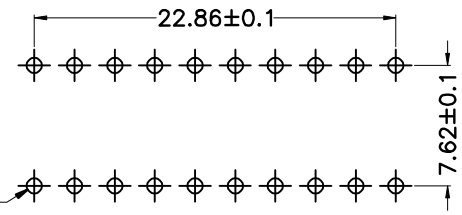
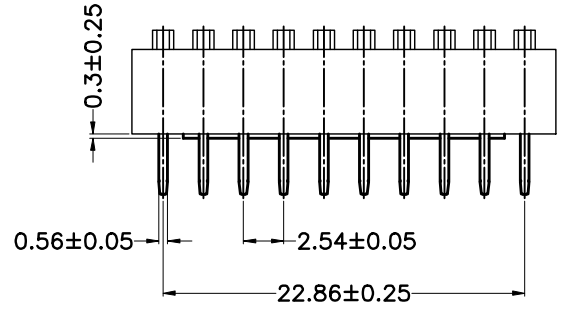
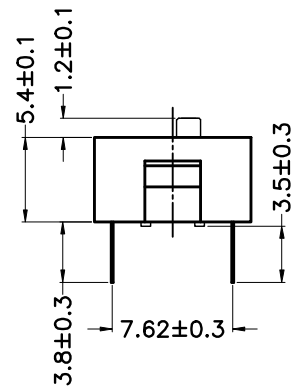
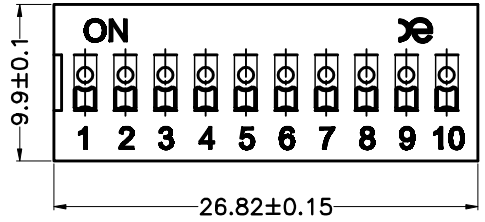
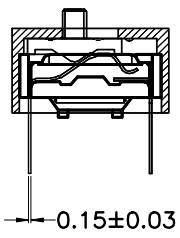
**5. Mechanical**

Mechanical life:2000 Operations per switch.  
 Stroke:2.0mm.  
 Operation Temp:-20 $^{\circ}\text{C}$  to 70 $^{\circ}\text{C}$ .  
 Storage Temp:-40 $^{\circ}\text{C}$  to 85 $^{\circ}\text{C}$ .

**6. PART NUMBER DESCRIPTION:**

DS WB 10 L H G E T B

- [Packing:T=Tube R=Reel]
- [Finish:E=1  $\mu$ "-3  $\mu$ " Gold-plated F=10  $\mu$ " Gold-plated]
- [Finish:G=Full Gold S=Contat-Gold-plated, Terminal-Tin-Plated]
- [Terminal:S=SID type H=Strait.....]
- [Actuator:T=Tape sealed S=Low profile W/O Tape L=Extension]
- [HP=Half-Pitch IC=IC type PV=Piano type WB=WB type]



**注意:**

- 波峰焊: 推荐锡锅温度在270 $^{\circ}\text{C}$   $\pm$  5 $^{\circ}\text{C}$ , 浸锡时间为5~6秒钟。
- 手工焊: 使用30瓦烙铁控制温度在320 $^{\circ}\text{C}$ , 焊接时间大约2~3秒钟。
- 拨柄位置: 产品焊接时, 请将产品的拨柄置于OFF端, 能给予产品更好的接触性能。
- 清洗过程: 清洗使用超声波方式, 能给予更好的效果。

TOLERANCE UNLESS OTHERWISE SPECIFIED		INSPECTION COPY
LINER	ANGLES	
.0 $\pm$ 0.30	0. $\pm$ 1'	PROJECTION
.00 $\pm$ 0.20	.0 $\pm$ 0.5'	
.000 $\pm$ 0.10	.00 $\pm$	
DESIGN	LU ER XIN	2013/07/02
DRAWING		
CHECK		
APPRO.		

TITLE			
BY DSWB SERIES PITCH 2.54mm			
PRODUCT FAMILY DSWB SERIES			
PRAT NO. DSWB10LHGETB			
FILE NO. DSWB10LHGETB-A			
SIZE	UNIT	SCALE	SHEET
A4	mm	FIT	1 OF 1
REV.	A		

## X-ON Electronics

Largest Supplier of Electrical and Electronic Components

*Click to view similar products for [DIP Switches/SIP Switches](#) category:*

*Click to view products by [Kingtek Industrial](#) manufacturer:*

Other Similar products are found below :

[79B10T](#) [8136-475G4T](#) [G7G-1A2-CB-DC12](#) [DRS4016](#) [1825444-1](#) [193005MS](#) [195010MS](#) [200183](#) [206002](#) [208004](#) [208007ST](#) [208008](#)  
[25.350.0653.0](#) [SDA10H1BDA](#) [97R06ST](#) [A2C-2A5](#) [1825444-7](#) [ADE12S04](#) [206005RAS](#) [206007](#) [209005LPST](#) [2-1825058-8](#) [219002LPST](#)  
[219002MSTJRF](#) [219012MST](#) [25.352.0353.0](#) [CXDRIVEV2X](#) [LA2-002-DC24](#) [DSR02T](#) [193004MS](#) [E2FMX2D1M1TGJ03M](#) [NDI10H](#) [219-](#)  
[9MSTP](#) [219008LPSTR](#) [EPM02FV](#) [206010RAST](#) [76SB05](#) [TD06H0SK1](#) [Z7.255.9027.0](#) [1-1825058-3](#) [1825428-4](#) [219-10LPSTF](#)  
[E3ZG6111D03M](#) [G4D212PUSTV2DC5](#) [HARW0002](#) [EPG301BT06](#) [1-1825058-6](#) [E3TSL23M5J03M](#) [Y5795](#) [7R0060](#)